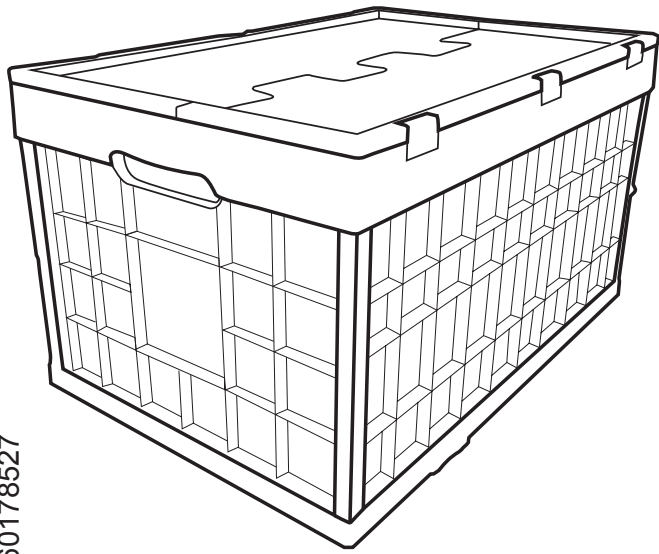
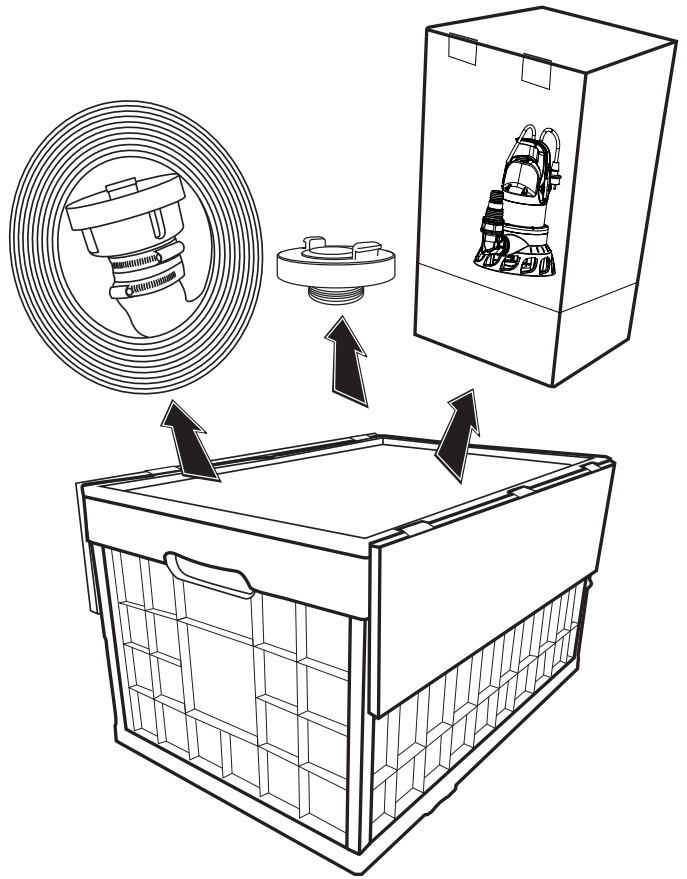


07/16 cod. 60178527

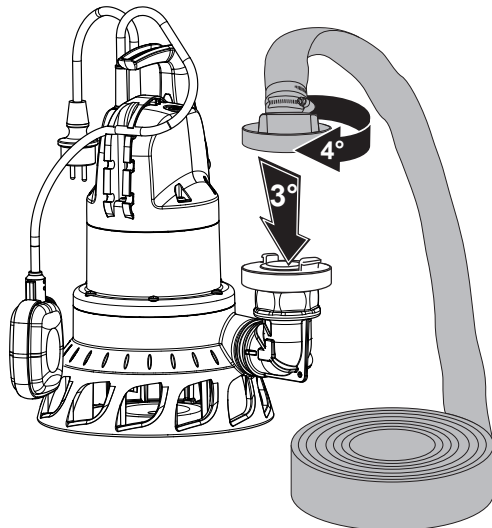
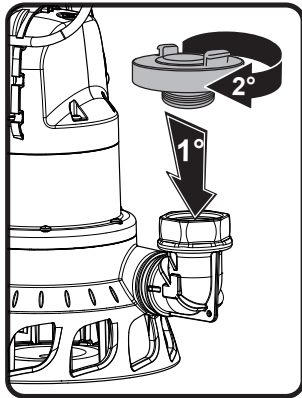


1

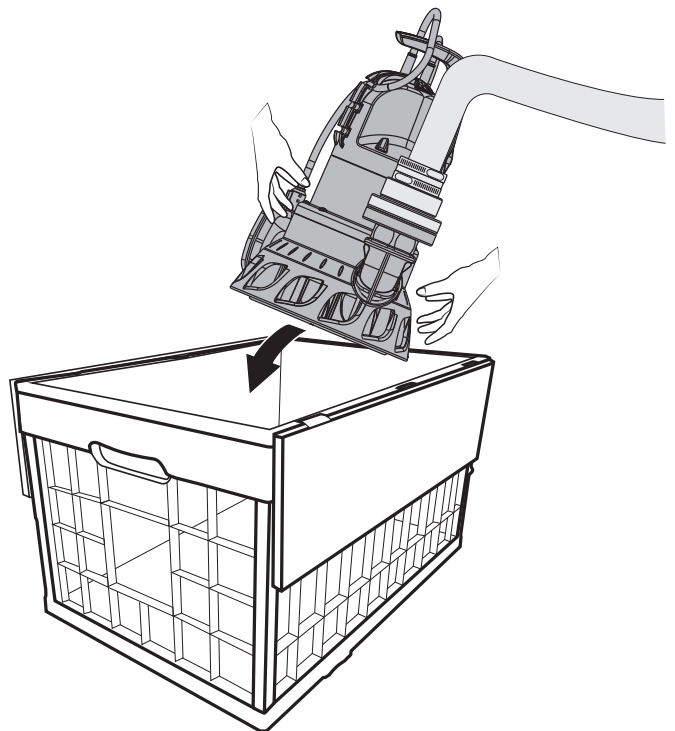


QUICK GUIDE - FLOODING KIT

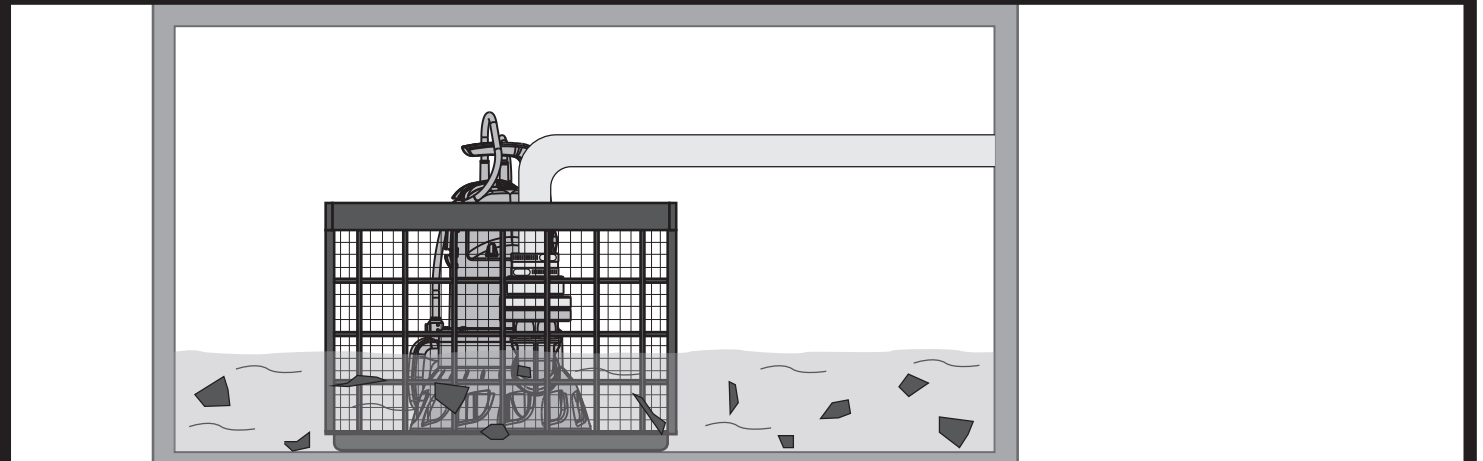
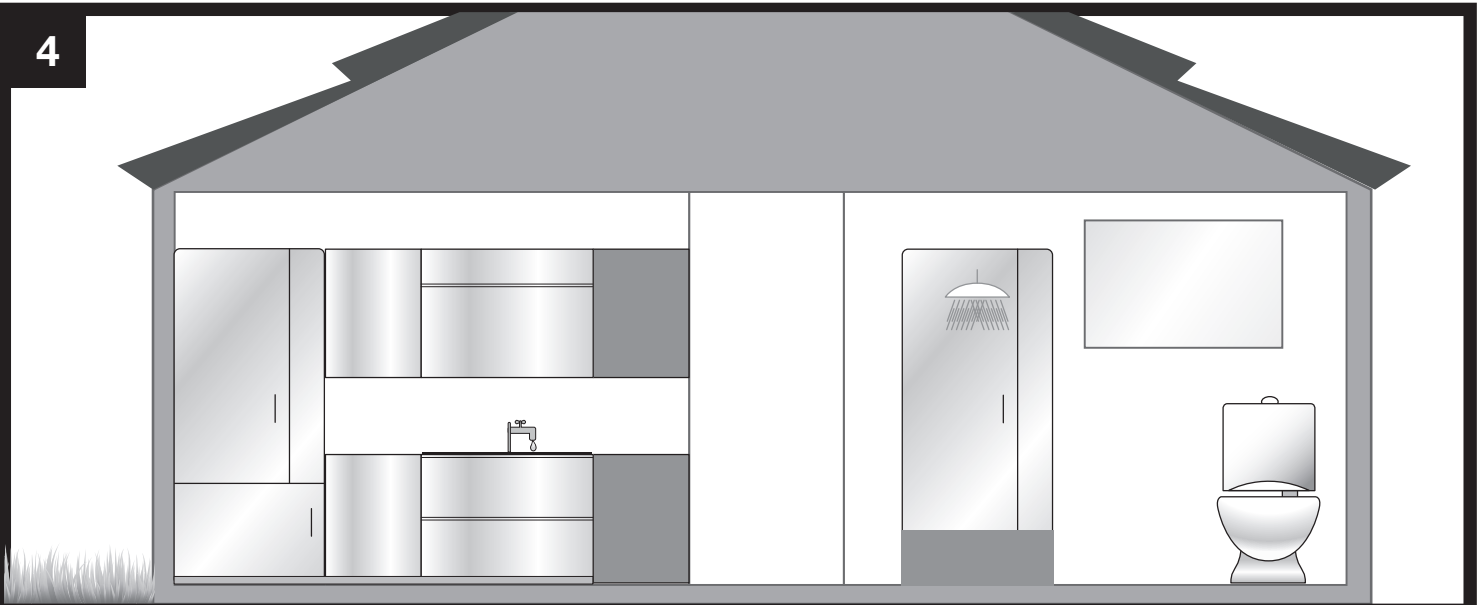
2



3



4



5 AFTER USE

