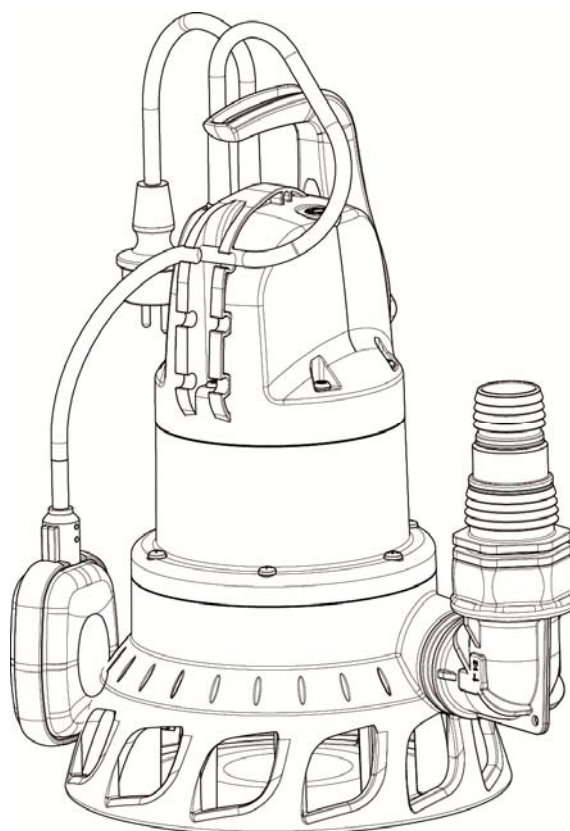
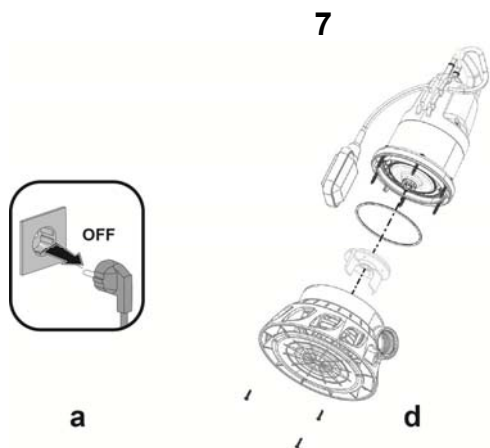
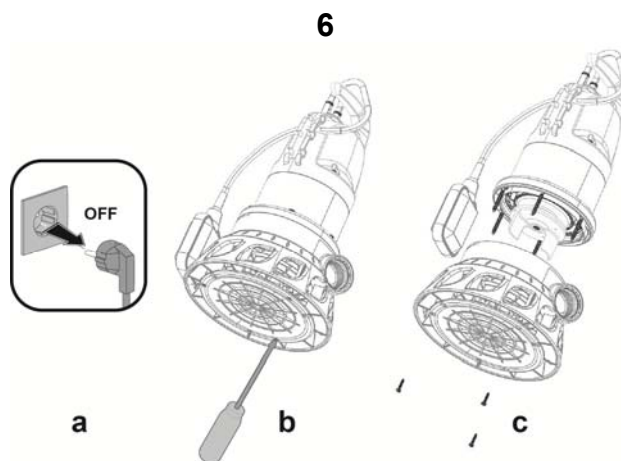
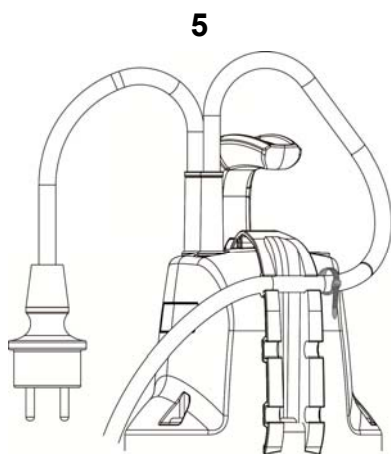
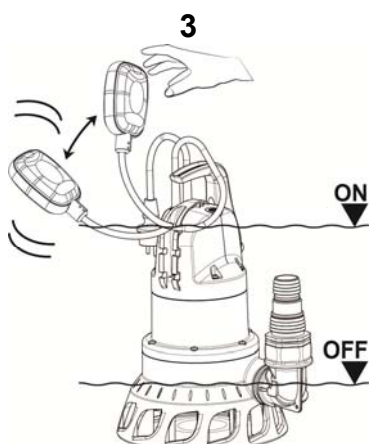
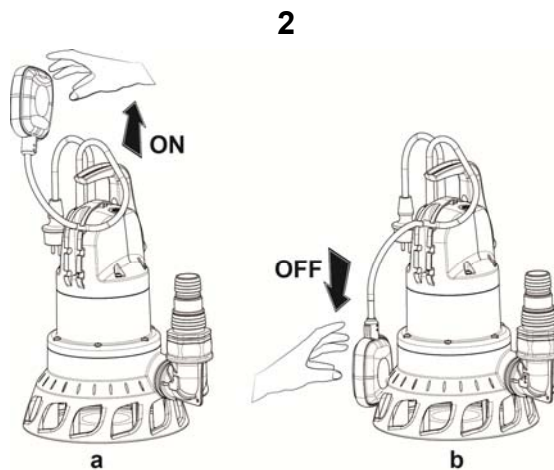
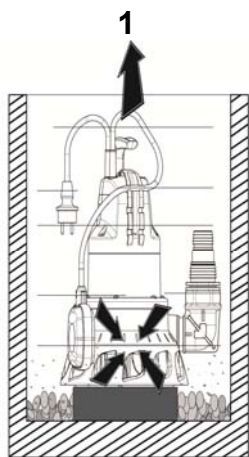

INSTRUCTIONS FOR INSTALLATION AND MAINTENANCE (GB)
ISTRUZIONI PER L'INSTALLAZIONE E LA MANUTENZIONE (IT)
INSTALLATIONS- UND WARTUNGSANLEITUNGEN (DE)
INSTRUCTIONS POUR L'INSTALLATION ET LA MAINTENANCE (FR)
INSTRUCCIONES DE INSTALACIÓN Y MANTENIMIENTO (ES)
ИНСТРУКЦИЯ ЗА ИНСТАЛИРАНЕ И ОБСЛУЖВАНЕ (BG)
NÁVOD K INSTALACI A ÚDRŽBĚ (CZ)
BRUGSANVISNING (DK)
ΟΔΗΓΙΕΣ ΓΙΑ ΤΗΝ ΕΓΚΑΤΑΣΤΑΣΗ ΚΑΙ ΤΗ ΣΥΝΤΗΡΗΣΗ (GR)
KASUTUS- JA HOOLDUSJUHEND (EE)
ASENNUS- JA HUOLTO-OHJEET (FI)
PRIRUČNIK S UPUTAMA (HR)
INSTALLÁCIÓS ÉS KARBANTARTÁSI KÉZIKÖNYV (HU)
MONTAVIMO IR TECHNINĖS PRIEŽIŪROS INSTRUKCIJOS (LT)
UZSTĀDĪŠANAS UN TEHNISKĀS APKOPES ROKASGRĀMATA (LV)
INSTRUCTIES VOOR INSTALLATIE EN ONDERHOUD (NL)
ISTRUZIONI PER L'INSTALLAZIONE E LA MANUTENZIONE (NO)
INSTRUKCJA MONTAŻU I KONSERWACJI (PL)
INSTRUÇÕES PARA A INSTALAÇÃO (PT)
INSTRUCȚIUNI PENTRU INSTALARE ȘI ÎNTREȚINERE (RO)
ИНСТРУКЦИИ ПО МОНТАЖУ И ТЕХОБСЛУЖИВАНИЮ (RU)
POKYNÝ K INŠTALÁCII A ÚDRŽBE (SK)
NAVODILA ZA INŠTALACIJO IN VZDRŽEVANJE (SI)
ISTRUZIONI PER L'INSTALLAZIONE E LA MANUTENZIONE (AL)
UPUTSTVO ZA INSTALACIJU I ODRŽAVANJE (RS)
INSTALLATIONS- OCH UNDERHÅLLSANVISNINGV(SE)
KURMA VE BAKIM BİLGİLERİ (TR)
ІНСТРУКЦІЇ ЗІ ВСТАНОВЛЕННЯ ТА ТЕХНІЧНОГО ОБСЛУГОВУВАННЯ (UA)



ENGLISH	Pag.	1
ITALIANO	Pag.	5
DEUTSCH	Seite	9
FRANÇAIS	Page	13
ESPAÑOL	Pág.	17
БЪЛГАРСКИ	Стр.	21
ČESKY	Strana	25
DANSK	Side	29
ΕΛΛΗΝΙΚΑ	Σελ.	33
EESTI	Lk.	38
SUOMI	Sivu	42
HRVATSKI	Stranica	46
MAGYAR	Oldal	50
LIETUVIŲ	Psl.	54
LATVIEŠU	Lpp.	58
NEDERLANDS	Pag.	62
NORVEGESE	Pag.	66
POLSKI	Strona	70
PORTUGUÊS	Pag.	74
ROMÂNĂ	Pag.	78
РУССКИЙ	Стр.	82
SLOVENSKY	Str.	86
SLOVENŠČINA	Str.	90
SHQIP	Pag.	94
SRPSKI	Str.	98
SVENSKA	Sid.	102
TÜRKÇE	Sf.	106
УКРАЇНСЬКА	Стор.	110



INDEX

1. APPLICATIONS	1
2. PUMPABLE LIQUIDS	1
3. TECHNICAL DATA AND LIMITATIONS OF USE	1
4. MANAGEMENT	2
4.1 Storage.....	2
4.2 Transport.....	2
4.3 Weight and dimensions.....	2
5. WARNINGS	2
6. INSTALLATION	2
7. ELECTRICAL CONNECTION	3
8. START-UP	3
9. PRECAUTIONS	3
10. MAINTENANCE AND CLEANING	3
10.1 Cleaning the suction grid.....	4
10.2 Cleaning the impeller.....	4
11. TROUBLESHOOTING	4
12. GUARANTEE	4

WARNINGS



Read all this documentation before installation carefully



Take out the plug before any intervention. Absolutely avoid dry operation: the pump must be activated exclusively when it is immersed in water. If the water is finished, the pump must be deactivated immediately, taking the plug out of the socket.

1. APPLICATIONS

Powerful submersible pumps for draining and emptying, and for small-scale irrigation needs; they can be used with dirty water containing particles in suspension up to a maximum dimension of 38 mm. The pumps for domestic uses, with manual or automatic operation, for drying basements and garages subject to flooding, for pumping drainage wells, pumping rainwater collecting traps or infiltrations from roof gutters, etc.

Thanks to their compact and handy shape, they are also used for particular applications as portable pumps for emergency situations such as for drawing water from tanks or rivers, draining swimming pools and fountains, excavations or underpasses. Also suitable for gardening and general hobby activity.



These pumps cannot be used in swimming pools, ponds or basins where people are present, or for pumping hydrocarbons (petrol, diesel fuel, combustible oils, solvents, etc.) in accordance with the accident-prevention regulations in force. They should be cleaned before putting them away. See the chapter “Maintenance and Cleaning”.

2. PUMPABLE LIQUIDS

Fresh water	•
Rainwater	•
Clear waste water	•
Dirty water	•
Foul waste water containing solid bodies with long fibres	○
Fountain water	•
River or lake water	•
Max. particle dimension [mm]	Ø 38

Table1

- Suitable
- Not suitable

The pump is watertight and must be immersed in liquid to a maximum depth of 7m. See Table 3.

3. TECHNICAL DATA AND LIMITATIONS OF USE

- **Supply voltage: 220-240V**, see electrical data plate
- **Delayed line fuses (220-240V version):** indicative values (Ampere)
- **Storage temperature:** -10°C +40°C

Line fuses 220-240V 50Hz
3

Table2

	Model	Draining dirty water
		P1=1000
Electrical data	P1 Rated absorbed power [W]	1000
	Mains voltage [V]	220-240 AC
	Mains frequency [Hz]	50
	Current [A]	4.2
	Capacitor [μ F]	12.5
	Capacitor [Vc]	450
Hydraulic data	Max. flow rate [l/min]	320
	Max. head [m]	11
	Max. head [bar]	1.1
	Max. immersion depth [m]	7
	Min. AUT starting height [mm]	50
	Residual water height [mm]	50
Range of use	Length of power cable [m]	10
	Type of cable	H07 RNF
	Grade of motor protection	IP X8
	Insulation class	F
	Liquid temperature range [°C] according to EN 60335-2-41 for domestic use	0 °C / +35 °C
	Max. particle dimension [mm]	Ø 38
	Max. ambient temperature [°C]	+40 °C
Weight	DNM GAS	1" 1/2 F
	Net/Gross weight approx. [kg]	8.2 / 10.1

Table 3



The pump which does not stand on a base cannot support the weight of the pipes, which must be supported in some other way.

4. MANAGEMENT

4.1 Storage

All the pumps must be stored in a dry covered place, with possible constant air humidity, free from vibrations and dust. They are supplied in their original pack in which they must remain until the time of installation.

4.2 Transport

Avoid subjecting the products to needless impacts and collisions.

4.3 Weight and dimensions

The adhesive plate on the packaging indicates the total weight of the pump and its dimensions.

5. WARNINGS



The pumps must never be carried, lifted or allowed to operate suspended from the power cable; use the handle provided.

- The pump must never be allowed to run when dry.
- The pump must be positioned so that the holes on the suction side cannot be partially or totally clogged by dirt.
- The sealing device contains lubricant which is non-toxic but which may alter the characteristics of the water, in the case of pure water, if the pump were to have any leaks.
- The pump has a thermal overload safety device. In the event of any overheating of the motor, this device automatically switches off the pump. The cooling time is roughly 15 to 20 minutes, then the pump automatically comes on again. If the overload cutout is tripped, it is essential to identify and deal with the cause of the overheating. See Troubleshooting.

6. INSTALLATION

Screw on the elbow with hosetail fitting provided in the packaging. For the dirty water version only the fitting for 1"1/2 pipes; if you want to use a pipe with a larger diameter, change the elbow coupling. Use a pipe tightening clamp to secure the pipe to the fitting.

- It is advisable to use pipes having an internal diameter of 38 mm to avoid the decrease of pump performance and the possibility of blocking.
- If the bottom of the trap where the pump is to be placed is particularly dirty, a raised support should be provided so as to avoid blocking of the suction grid (Fig.1)

- Totally immerse the pump in the water.
- Ensure that the minimum dimensions of the trap in which it is housed are as follows:
Min. base dimensions (mm) 400x400 / Min. height (mm) 400
- Pay attention to ensure that the float is free to move, leave at least 5 cm from the wall of the trap.
- The dimensions of the trap must always be in relation to the quantity of water arriving and to the flow of the pump, so as not to subject the motor to excessive starts/hour; it is strongly recommended not to exceed 20 starts/hour.



The pump must be installed in vertical position!

7. ELECTRICAL CONNECTION



The length of the power cable on the pump limits the maximum depth of immersion in use of the pump. Follow the indications on the technical data plate and in this manual, table 3.

8. START-UP

There are two operating modes:

- **MANUAL (A)**

Although they have a float, the pumps can be used in manual mode Fig.2

- 1) Fix the float switch so that it remains vertical above the pump (with the cable below) (a). As long as the float switch remains raised, the pump keeps operating irrespective of the water level.
- 2) Insert the plug of the power cable in a 220-240V power socket.
- 3) The pump will start up; ensure that it is immerse in the liquid to be pumped.

Pay attention because the pump will not switch off automatically once it reaches the minimum level; it must be switched off manually by the user, either by taking the power out of the socket or by lowering the float (automatic operation).

The maximum suction level is reached only during manual operation because, in automatic operating condition, the automatic float switch stops the pump before it reaches that level.

- **AUTOMATIC (B)**

The models with a float switch are started automatically when the water level rises and will switch off when the required minimum level is reached (Fig.3).

- 1) Leave the float free to move.
- 2) Insert the plug of the power cable in a 220-240V power socket.
- 3) When the float reaches the ON level the pump will start and will continue operating until it reaches the OFF level.

Regulating the starting/stopping height:

(To know the minimum starting and stopping height, see the Technical Data chapter.)

The cable length must on one hand allow the float switch to move freely and, on the other, prevent it resting on the bottom. The portion of cable between the float switch and the cable stay notch must not be less than 10 cm long. The shorter the portion of cable between the float switch and the cable stay notch, the lower will be the starting height and the higher the stopping height. The fixing point can be changed, for example on the lower clip, with the same length, this will give a lower stopping and starting level (Fig.4). The pump is supplied with a clamp (Fig. 5) that fixes the float cable and prevents it sliding in the clip; if you decide to lengthen or shorten the free float cable, shift the corresponding clamp if it cannot be replaced. The single-phase motors are equipped with built-in thermal overload protection and can be connected directly to the mains. NB: if the motor is overloaded it stops automatically. Once it has cooled it starts again automatically without requiring any manual intervention.

9. PRECAUTIONS

RISK OF FROST: when the pump remains inactive at a temperature lower than 0°C, it is necessary to ensure that there is no water residue which could freeze, causing cracks in the plastic parts.

If the pump has been used with substances that tend to form a deposit, or with water containing chlorine, rinse it after use with a powerful jet of water in order to avoid the formation of deposits or encrustations which would reduce the characteristics of the pump.

10. MAINTENANCE AND CLEANING

In normal operation the pump does not require any type of maintenance. In any case, all repair and maintenance work must be carried out only after having disconnected the pump from the supply mains. When restarting the pump, ensure that the suction filter is always fitted so as not to create the risk or possibility of accidental contact with moving parts.

ENGLISH

10.1 Cleaning the suction grid

(Fig.6)

- Switch off the electric power supply to the pump.
- Drain the pump.
- Unscrew the retaining screws on the filter (b).
- Remove the suction grid (c).
- Clean and reassemble the suction grid.

10.2 Cleaning the impeller

(Fig.7)

- Switch off the electric power supply to the pump.
- Drain the pump.
- Unscrew the retaining screws on the filter (b).
- Remove the suction grid (c).
- Wash the pump with clean water to remove possible impurities between the motor and the pump jacket. (d).
- Clean the impeller (d).
- Check that the impeller can turn freely.
- Assemble the parts, proceeding in inverse order to disassembly.

11. TROUBLESHOOTING



Before taking any troubleshooting action, disconnect the pump from the power supply (i.e. remove the plug from the socket). If there is any damage to the power cable or pump, any necessary repairs or replacements must be performed by the manufacturer or his authorized customer support service, or by an equally-qualified party, in order to prevent all risks.

FAULTS		CHECKS (possible causes)	REMEDIES
1	The motor does not start and does not make any noise.	A. Check that voltage is reaching the motor. B. Check the protection fuses. C. The switch is not activated by the float.	A. Verificare che la spina sia correttamente inserita B. If burnt out, change them. C. - If burnt out, change them. Place it facing up. - Increase the depth of the trap.
2	The pump does not deliver flow	A. The suction grid or the pipes are blocked. B. The impeller is worn or blocked. C. The head required is higher than the pump's characteristics. D. Presence of air	A. Remove the obstructions or straighten the hose if it is twisted. B. Replace the impeller or remove the obstruction. C. Replace it with one with a higher head. D. Wait at least 1 minute until it is eliminated
3	The pump does not stop.	A. The switch is not deactivated by the float	A. Check that the float can move freely.
4	The flow rate is insufficient	A. Check that the suction grid is not partially blocked B. Check that the impeller or the delivery pipe are not partly blocked or encrusted. C. Ensure that the check valve (if contemplated) is not partially blocked	A. Remove any obstructions. B. Remove any obstructions. C. Accurately clean the check valve
5	The pump stops after having run for a short time.	A. The thermal overload protection device stops the pump.	A. Check that the fluid to be pumped is not too dense as it would cause overheating of the motor. B. Check that the water temperature is not too high. C. Make sure there is no solid body obstructing the impeller.

12. GUARANTEE



Any modification made without prior authorisation relieves the manufacturer of all responsibility. All the spare parts used in repairs must be authentic and all accessories must be authorised by the manufacturer, in order to ensure maximum safety of the machines and of the systems in which they may be installed.

This product is covered by a legal guarantee (in the European Community for 24 months from date of purchase) against all defects that can be assigned to manufacturing faults or to the material used.

The product under guarantee may, at discretion, either be replaced with one in perfect working order or replaced free of charge if the following conditions are observed:

- the product has been used correctly in compliance with the instructions and not attempt has been made to repair it by the buyer or by third parties.
- the product has been consigned to the outlet where it was purchased, attaching a document as proof of purchase (invoice or cash register receipt) and a brief description of the problem found.

The impeller and parts subject to wear are not covered by the guarantee. Intervention under guarantee does not extend the initial guarantee period in any way.

INDICE

1. APPLICAZIONI	5
2. LIQUIDI POMPABILI.....	5
3. DATI TECNICI E LIMITAZIONI D'USO	5
4. GESTIONE	6
4.1 Immagazzinaggio	6
4.2 Trasporto	6
4.3 Peso e dimensioni.....	6
5. AVVERTENZE.....	6
6. INSTALLAZIONE.....	6
7. ALLACCIAMENTO ELETTRICO.....	7
8. AVVIAMENTO.....	7
9. PRECAUZIONI.....	7
10. MANUTENZIONE E PULIZIA	7
10.1 Pulizia della griglia di aspirazione	8
10.2 Pulizia della girante	8
11. RICERCA GUASTI.....	8
12. GARANZIA.....	8

AVVERTENZE



Prima di procedere all'installazione leggere attentamente tutta la documentazione.



Prima di ogni intervento staccare la spina. Evitare nel modo più assoluto il funzionamento a secco: la pompa va azionata esclusivamente quando è immersa nell'acqua. Se questa si esaurisce, la pompa deve essere subito disattivata staccando la spina dalla corrente.

1. APPLICAZIONI

Pompe sommergibili potenti per il drenaggio e lo svuotamento e la piccola irrigazione; possono essere impiegate con acque sporche anche in presenza di corpi in sospensione di ingombro massimo fino a 38 mm. Pompe per impieghi domestici, con funzionamento manuale o automatico, per prosciugamento di scantinati ed autorimesse soggette ad allagamenti, per pompaggio di pozzi di drenaggio, pompaggio di pozzetti raccolta acque piovane o di infiltrazioni provenienti da grondaie, etc.

Grazie alla forma compatta e maneggevole trovano anche particolari applicazioni come pompe portatili per casi di emergenza quali, prelievo d'acqua da serbatoi o fiumi, svuotamento di piscine e fontane o di scavi o sottopassaggi. Idonea anche per giardinaggio ed hobbistica in genere.



Queste pompe non possono essere utilizzate in piscine, stagni, bacini con presenza di persone, e o per il pompaggio di idrocarburi (benzina, gasolio, oli combustibili, solventi, ecc.) secondo le norme antinfortunistiche vigenti in materia. Prima di riporle sarebbe buona norma prevedere una fase di pulizia. Vedi capitolo "Manutenzione e Pulizia".

2. LIQUIDI POMPABILI

Acque fresche	•
Acqua piovana	•
Acque chiare di rifiuto	•
Acque sporche	•
Acque cariche grezze contenenti corpi solidi con fibre lunghe	○
Acqua di fontana	•
Acqua di fiume o lago	•
Dimensione delle particelle max. [mm]	Ø 38

Tabella1

- Adatto
- Non adatto

La pompa e' a tenuta stagna e deve essere immersa nel liquido fino ad una profondita' massima di 7m. Vedi Tabella 3.

3. DATI TECNICI E LIMITAZIONI D'USO

- **Tensione di alimentazione: 220-240V**, vedi targhetta dati elettrici
- **Fusibili di linea ritardati (versione 220-240V):** valori indicativi (Ampere)

Fusibili di linea 220-240V
50Hz
3

Tabella2

- **Temperatura di magazzinaggio:** -10°C +40°C

	Modello	Drenaggio acque sporche P1=1000
Dati Elettrici	P1 Potenza assorbita Nominale [W]	1000
	Voltaggio di rete [V]	220-240 AC
	Frequenza di rete [Hz]	50
	Corrente [A]	4.2
	Condensatore [μ F]	12.5
	Condensatore [Vc]	450
Dati Idraulici	Portata max. [l/min]	320
	Prevalenza max. [m]	11
	Prevalenza max. [bar]	1.1
	Max. profondita' immersione [m]	7
	Altezza di avvio min. AUT [mm]	50
	Altezza acqua residua [mm]	50
Campo d'impiego	Lungh. Cavo alimentazione [m]	10
	Tipo cavo	H07 RNF
	Grado di protezione del motore	IP X8
	Classe d'isolamento	F
	Campo temperatura del liquido [°C] secondo EN 60335-2-41 per uso domestico	0 °C / +35 °C
	Dimensione delle particelle max. [mm]	Ø 38
	Max. Temperatura ambiente [°C]	+40 °C
Peso	DNM GAS	1" 1/2 F
	Peso Netto/Lordo ca. [kg]	8.2 / 10.1

Tabella 3



La pompa che non appoggia su una base non può sorreggere il peso delle tubazioni il quale dev'essere sostenuto diversamente.

4. GESTIONE

4.1 Immagazzinaggio

Tutte le pompe devono essere immagazzinate in luogo coperto, asciutto e con umidità dell'aria possibilmente costante, privo di vibrazioni e polveri. Vengono fornite nel loro imballo originale nel quale devono rimanere fino al momento dell'installazione.

4.2 Trasporto

Evitare di sottoporre i prodotti ad inutili urti e collisioni.

4.3 Peso e dimensioni

La targhetta adesiva posta sull'imballo riporta l'indicazione del peso totale dell'elettropompa e delle sue dimensioni.

5. AVVERTENZE



Le pompe non devono mai essere trasportate, sollevate o fatte funzionare sospese facendo uso del cavo di alimentazione, utilizzare l'apposita maniglia.

- La pompa non deve mai essere fatta funzionare a secco.
- La pompa va posizionata in modo che i fori del piede aspirante non vengano ostruiti, in tutto o in parte dallo sporco.
- Il dispositivo di tenuta contiene del lubrificante atossico ma che può alterare le caratteristiche dell'acqua, nel caso si tratti di acqua pura, se la pompa dovesse avere delle perdite.
- La pompa è dotata di un salvamotore termico. In caso di eventuale surriscaldamento del motore, il salvamotore spegne la pompa automaticamente. Il tempo di raffreddamento è di circa 15-20 min. dopo di che la pompa si riaccende automaticamente. Dopo l'intervento del salvamotore è assolutamente necessario ricercarne la causa ed eliminarla. Consultate Ricerca Guasti.

6. INSTALLAZIONE

Avvitare il gomito con attacco portagomma presente nell'imballo. Per la versione acque sporche abbiamo a disposizione solo l'attacco per tubazioni di dimensioni 1"1/2 mm, nel caso di si volesse utilizzare una tubazione con diametro superiore sostituire il raccordo a gomito. Utilizzare inoltre una fascetta stringitubo per fissare il tubo all'attacco.

- È consigliabile l'uso di tubazioni aventi diametro interno minimo di 38 mm per evitare la diminuzione delle prestazioni della pompa e la possibilità di intasamenti.
- Nel caso in cui il fondo del pozzetto, dove la pompa dovrà poggiare, presentasse notevole sporcizia, è opportuno prevedere un supporto rialzato al fine di evitare intasamenti alla griglia di aspirazione (Fig.1).
- Immergere totalmente la pompa nell'acqua.

- Prevedere che il pozzetto di alloggiamento abbia dimensioni minime come valori seguenti:
Dimensioni base min. (mm) 400x400 / Altezza min. (mm) 400
- Fare attenzione affinché il galleggiante sia libero di muoversi, lasciare almeno 5 cm dalla parete del pozzetto.
- Il pozzetto dovrà sempre essere dimensionato anche in relazione alla quantità d'acqua in arrivo ed alla portata della pompa in modo da non sottoporre il motore ad eccessivi avviamenti/ora, e' strettamente consigliato non superare i 20 avviamenti/ora.



La pompa deve essere installata in posizione verticale!

7. ALLACCIAMENTO ELETTRICO



La lunghezza del cavo di alimentazione presente sulla pompa limita la profondità massima di immersione nell'utilizzo della pompa stessa. Attenersi alle indicazioni riportate in targhetta tecnica e in questo manuale tabella 3.

8. AVVIAMENTO

Esistono due modalità di funzionamento:

• MANUALE (A)

Le elettropompe pur avendo il galleggiante possono essere usate in modalità manuale Fig.2

- 1) Fissare l'interruttore flottante in modo che rimanga verticale sopra la pompa (con il cavo in basso) (a). Fino a quando l'interruttore flottante resta sollevato, la pompa rimane in funzione indipendentemente dal livello dell'acqua.
- 2) Inserire la spina del cavo di alimentazione in una presa di corrente a 220-240V.
- 3) La pompa entrerà in funzione, assicurarsi che sia immersa nel liquido da aspirare.

Prestare attenzione in quanto la pompa non si spegnerà in automatico, una volta raggiunto il livello minimo dovrà essere spenta manualmente dall'utente, o disinserendo la spina oppure abbassando il galleggiante (funzionamento automatico).

Il livello di aspirazione massimo viene raggiunto solo durante il funzionamento in manuale poiché nella condizione di funzionamento automatico l'interruttore flottante arresta la pompa prima del raggiungimento di tale livello.

• AUTOMATICA (B)

I modelli provvisti d'interruttore a galleggiante vengono messi in funzione automaticamente quando il livello dell'acqua sale e si spegneranno al raggiungimento del livello minimo previsto (Fig.3).

- 1) Lasciare libero il galleggiante di muoversi.
- 2) Inserire la spina del cavo di alimentazione in una presa di corrente a 220-240V.
- 3) Quando il galleggiante raggiunge il livello ON la pompa si avvia e rimarrà in funzione fino al raggiungimento del livello di OFF.

Regolazione dell'altezza di avvio/arresto:

(Per conoscere l'altezza di inserimento e disinserimento minima, consultare il capitolo Dati tecnici.)

La lunghezza del cavo deve da una parte consentire all'interruttore flottante di potersi muovere liberamente e dall'altra evitare che lo stesso poggi sul fondo. La porzione di cavo fra l'interruttore flottante e l'incavo fermacavo non deve misurare meno di 10 cm. Tanto più corta è la porzione di cavo fra l'interruttore flottante e l'incavo fermacavo, tanto più bassa sarà l'altezza di avvio e tanto più alta quella di arresto. Si può cambiare punto di fissaggio, ad esempio sulla clip inferiore, a parità di lunghezza, si avrà un livello più basso di arresto e di partenza (Fig.4). La pompa viene fornita con una fascetta (Fig. 5) che fissa il cavo del galleggiante e ne impedisce lo scorrimento nella clip, nel caso si decidesse di allungare o accorciare il cavo libero del galleggiante spostare la fascetta in corrispondenza, se non fosse possibile prevederne la sostituzione. I motori monofase sono muniti di protezione termo-ampereometrica incorporata e possono essere collegati direttamente alla rete. NB: se il motore è sovraccarico si ferma automaticamente. Una volta raffreddato riparte automaticamente senza bisogno di alcun intervento manuale.

9. PRECAUZIONI

PERICOLO DI GELO: quando la pompa rimane inattiva a temperatura inferiore a 0°C, è necessario assicurarsi che non ci siano residui d'acqua che ghiacciando possano creare incrinature delle parti plastiche.

Se la pompa è stata utilizzata con sostanze che tendono a depositarsi, o con acqua clorata risciacquare dopo l'uso, con un potente getto d'acqua in modo da evitare il formarsi di depositi od incrostazioni che tenderebbero a ridurre le caratteristiche della pompa.

10. MANUTENZIONE E PULIZIA

L'elettropompa nel funzionamento normale non richiede alcun tipo di manutenzione. In ogni caso tutti gli interventi di riparazione e manutenzione si devono effettuare solo dopo aver scollegato la pompa dalla rete di alimentazione. Quando si fa ripartire la pompa, assicurarsi che sia sempre montato il filtro di aspirazione in modo da non creare pericolo o possibilità di contatto casuale con le parti in movimento.

10.1 Pulizia della griglia di aspirazione**(Fig.6)**

- Disinserire l'alimentazione elettrica della pompa.
- Far drenare la pompa.
- Svitare le viti di fissaggio sul filtro **(b)**.
- Rimuovere la griglia di aspirazione **(c)**.
- Pulire e rimontare la griglia di aspirazione.

10.2 Pulizia della girante**(Fig.7)**

- Disinserire l'alimentazione elettrica della pompa.
- Far drenare la pompa.
- Svitare le viti di fissaggio sul filtro **(b)**.
- Rimuovere la griglia di aspirazione **(c)**.
- Lavare la pompa con acqua pulita per rimuovere possibili impurità fra il motore e la camicia della pompa **(d)**.
- Pulire la girante **(d)**.
- Verificare che la girante possa ruotare liberamente.
- Assemblare le parti in senso opposto alla sequenza di smontaggio.

11. RICERCA GUASTI

Prima di iniziare la ricerca guasti è necessario interrompere il collegamento elettrico della pompa (togliere la spina dalla presa). Se il cavo di alimentazione o la pompa in qualsiasi sua parte elettrica è danneggiata l'intervento di riparazione o sostituzione deve essere eseguito dal Costruttore o dal suo servizio di assistenza tecnica o da una persona con qualifica equivalente in modo da prevenire ogni rischio.

INCONVENIENTI		VERIFICHE (possibili cause)	RIMEDI
1	Il motore non parte e non genera rumori.	A. Verificare che il motore sia sotto tensione. B. Verificare i fusibili di protezione. C. L'interruttore non viene attivato dal galleggiante.	A. Verificare che la spina sia correttamente inserita. B. Se bruciati sostituirli. C. -Verificare che il galleggiante si muova liberamente. Porlo verso l'alto. - Aumentare la profondità del pozzetto.
2	La pompa non eroga portata.	A. La griglia di aspirazione o le tubazioni sono ostruite. B. La girante è usurata od ostruita. C. La prevalenza richiesta è superiore alle caratteristiche della pompa. D. Presenza d'aria.	A. Rimuovere le ostruzioni o distendere la tubazione se attorcigliata. B. Sostituire la girante o rimuovere l'ostruzione. C. Sostituirla con una con prevalenza più alta. D. Attendere almeno 1 minuto finché non viene eliminata.
3	La pompa non si arresta.	A. L'interruttore non viene disattivato dal galleggiante.	A. Verificare che il galleggiante si muova liberamente.
4	La portata è insufficiente.	A. Verificare che la griglia di aspirazione non sia parzialmente ostruita. B. Verificare che la girante o il tubo di mandata non siano parzialmente ostruiti od incrostati. C. Verificare che la valvola di ritegno (se prevista) non sia parzialmente intasata.	A. Rimuovere eventuali ostruzioni. B. Rimuovere eventuali ostruzioni. C. Pulire accuratamente la valvola di ritegno.
5	La pompa si arresta dopo aver funzionato poco tempo.	A. Il dispositivo di protezione termo amperometrica arresta la pompa.	A. Verificare che il liquido da pompare non sia troppo denso perché causerebbe il surriscaldamento del motore. B. Verificare che la temperatura dell'acqua non sia troppo elevata. C. Verificare che nessun corpo solido blocchi la girante.

12. GARANZIA

Qualsiasi modifica non autorizzata preventivamente, solleva il costruttore da ogni tipo di responsabilità. Tutti i pezzi di ricambio utilizzati nelle riparazioni devono essere originali e tutti gli accessori devono essere autorizzati dal costruttore, in modo da poter garantire la massima sicurezza delle macchine e degli impianti su cui queste possono essere montate.

Questo prodotto è coperto da garanzia legale (nella Comunità Europea per 24 mesi a partire dalla data di acquisto) relativamente a tutti i difetti imputabili a vizi di fabbricazione o di materiale impiegato.

Il prodotto in garanzia potrà essere, a discrezione, o sostituito con uno in perfetto stato di funzionamento o riparato gratuitamente qualora vengano osservate le seguenti condizioni:

- il prodotto sia stato adoperato in modo corretto e conforme alle istruzioni e nessun tentativo di riparazione sia stato eseguito dall'acquirente o da terzi.
- il prodotto sia stato consegnato nel punto vendita di acquisto, allegando il documento che attesta l'acquisto (fattura o scontrino fiscale) e una breve descrizione del problema riscontrato.

La girante e le parti soggette a usura, non rientrano nella garanzia. L'intervento in garanzia non estende in nessun caso il periodo iniziale.

INHALT

1. ANWENDUNGEN.....	9
2. PUMPBARE FLÜSSIGKEITEN	9
3. TECHNISCHE DATEN UND EINSCHRÄNKUNGEN.....	9
4. HANDHABUNG.....	10
4.1 Lagerung.....	10
4.2 Transport.....	10
4.3 Gewicht und Abmessungen	10
5. HINWEISE	10
6. INSTALLATION	10
7. ELEKTROANSCHLUSS	11
8. EINSCHALTEN	11
9. VORSICHTSMASSNAHMEN	11
10. WARTUNG UND REINIGUNG.....	11
10.1 Reinigung des Ansaugfilters.....	12
10.2 Reinigung des Laufrads	12
11. STÖRUNGSSUCHE.....	12
12. GARANTIE	12

HINWEISE



Vor der Installation müssen sämtliche Unterlagen sorgfältig gelesen werden:



Vor jeder Arbeit am Gerät den Netzstecker ziehen. Ein Trockenlauf der Pumpe ist unbedingt zu vermeiden: die Pumpe darf nur dann betrieben werden, wenn sie in Wasser eingetaucht ist. Sobald kein Wasser mehr vorhanden ist, muss die Pumpe umgehend durch Ausstecken des Steckers ausgeschaltet werden.

1. ANWENDUNGEN

Leistungsstarke Tauchpumpen zum Abpumpen und Entleeren und zur Bewässerung im Garten; auch für Schmutzwasser mit aufschwimmenden Festkörpern bis max. 38 mm geeignet. Pumpen mit manuellem oder automatischem Betrieb für den häuslichen Gebrauch, zum Trockenlegen von Kellern und Garagen, die anfällig für Überschwemmungen sind, zum Abpumpen von Entwässerungsschächten, Regenwassersammelbecken oder Infiltrationen aus Dachrinnen, usw. Dank ihrer kompakten, handlichen Form wird dieser Pumpentyp auch als tragbare Pumpe für Notfälle eingesetzt, wie zum Beispiel zur Wasserentnahme aus Tanks oder Gewässern, zum Entleeren von Schwimmbecken und Springbrunnen, Ausschachtungen oder Unterführungen. Die Pumpe ist auch für allerlei Anwendungen in Haus und Garten geeignet.



Gemäß der einschlägigen Unfallschutzvorschriften dürfen diese Pumpen nicht in Schwimmbecken, Teichen, Wasserbecken eingesetzt werden, in denen sich Personen aufhalten, und auch nicht zum Pumpen von Kohlenwasserstoffen (Benzin, Gasölen, Heizölen, Lösemittel, usw.). Vor dem erneuten Einlagern muss das Gerät gereinigt werden. Siehe Kapitel „Wartung und Reinigung“.

2. PUMPBARE FLÜSSIGKEITEN

Frischwasser	•
Regenwasser	•
Klares Abwasser	•
Schmutzwasser	•
Belastetes Rohwasser mit langfaserigen Festpartikeln	○
Brunnenwasser	•
Wasser aus Flüssen und Seen	•
Max. Größe der Partikel [mm]	Ø 38

- Geeignet
- Nicht geeignet

Tabelle 1

Die Pumpe ist dicht und kann bis zu einer Tiefe von 10 Metern in das Fördermedium eingetaucht werden. Siehe Tabelle 3.

3. TECHNISCHE DATEN UND EINSCHRÄNKUNGEN

- **Versorgungsspannung:** 220-240V, siehe Schild der elektrischen Daten
- **Träger Schmelzsicherungen (Version 220-240V):** hinweisende Werte (Ampere)
- **Lagertemperatur:** -10°C +40°C

Schmelzsicherungen 220-240V 50Hz
3

Tabelle 2

	Modell	Dränage von Schmutzwasser P1=1000
Elektrische Daten	P1 Nominale Leistungsaufnahme [W]	1000
	Netzspannung [V]	220-240 AC
	Netzfrequenz [Hz]	50
	Strom [A]	4.2
	Kondensator [μ F]	12.5
	Kondensator [VC]	450
Hydraulikdaten	Max. Fördermenge [l/min]	320
	Max. Förderhöhe [m]	11
	Max. Förderhöhe [bar]	1.1
	Max. Tauchtiefe [m]	7
	Min. Einschalthöhe AUT [mm]	50
	Restwasserhöhe [mm]	50
Anwendungsgebiet	Länge Stromkabel [m]	10
	Kabeltyp	H07 RNF
	Schutzgrad des Motors	IP X8
	Isolierklasse	F
	Temperaturbereich des Fördermediums [°C] gemäß EN 60335-2-41 für den Hausgebrauch	0 °C / +35 °C
	Max. Größe der Partikel [mm]	Ø 38
	Max. Umgebungstemperatur [°C]	+40 °C
Gewicht	DNM GAS	1" 1/2 F
	Netto-/Bruttogewicht ca. [kg]	8.2 / 10.1

Tabelle 3



Wenn die Pumpe nicht auf einem Unterbau aufliegt, kann sie das Gewicht der Rohre nicht tragen, die in einem solchen Fall auf andere Weise abgestützt werden müssen.

4. HANDHABUNG

4.1 Lagerung

Alle Pumpen müssen an einem überdachten, trockenen, staub- und vibrationsfreien Ort mit möglichst konstanter Luftfeuchtigkeit gelagert werden. Sie werden in ihrer Originalverpackung geliefert, in der sie bis zum Augenblick der Installation verbleiben müssen.

4.2 Transport

Unnötige Schlägeinwirkungen und Kollisionen vermeiden.

4.3 Gewicht und Abmessungen

Dem Klebeetikett auf der Verpackung kann das Gesamtgewicht und die Größe der Elektropumpe entnommen werden.

5. HINWEISE



Pumpen dürfen nie am Stromkabel hängend gezogen, gehoben oder betrieben werden. Dazu den speziellen Griff verwenden.

- Die Pumpe darf niemals trocken laufen.
- Sie muss so positioniert werden, dass die Löcher des Saugfußes weder ganz oder teilweise von Schmutz verstopft werden können.
- Die Dichtung enthält Schmiermittel, die zwar ungiftig sind, aber trotzdem reines Wasser verseuchen können, wenn die Pumpe leckt.
- Die Pumpe verfügt über einen Motorschutzschalter. Bei einer eventuellen Überhitzung des Motors schaltet der Motorschutzschalter die Pumpe automatisch aus. Nach einer Abkühlzeit von zirka 15-20 Minuten läuft die Pumpe automatisch wieder an. Nach Auslösen des Motorschutzschalters muss unbedingt nach der Ursache gesucht und diese beseitigt werden. Sie Kapitel der Störungssuche.

6. INSTALLATION

Das in der Verpackung enthaltene Winkelstück mit Schlauchstutzen einschrauben. Für die Version für Schmutzwasser gibt es nur einen Anschluss für Rohrgrößen 1"1/2 mm; soll ein Rohr mit größerem Durchmesser verwendet werden, muss das Winkelstück ausgewechselt werden. Den Schlauch außerdem mit einer Rohrschelle am Anschluss befestigen.

- Es empfiehlt sich, Schläuche mit einem Innendurchmesser von mindestens 38 mm zu verwenden, weil sonst die Pumpenleistung abnimmt und Verstopfungen auftreten können.
- Falls der Boden des Schachts, auf dem die Pumpe stehen soll, stark verschmutzt ist, empfiehlt es sich die Pumpe etwas erhöht zu installieren, damit das Verstopfen des Ansauggitters vermieden wird (Abb.1).

- Die Pumpe muss vollkommen in das Wasser eingetaucht sein.
- Der Aufnahmeschacht soll die folgenden Mindestabmessungen haben:
Min. Abmessungen der Basis (mm) 400x400 / min. Höhe (mm) 400
- Darauf achten, dass der Schwimmer frei beweglich ist und mindestens 5 cm Abstand vom von der Schachtwand einhalten.
- Der Schacht muss auf Basis der zufließenden Wassermenge und der Förderleistung der Pumpe bemessen sein, damit der Motor nicht zu vielen Anlaufvorgängen pro Stunde ausgesetzt wird; es empfiehlt sich unbedingt 20 Anlaufvorgänge pro Stunde nicht zu überschreiten.



Die Pumpe muss senkrecht installiert werden!

7. ELEKTROANSCHLUSS



Die Länge des Pumpenkabels begrenzt die max. Tauchtiefe der Pumpe. Die Anweisungen am Typenschild und in diesem Handbuch, Tabelle 3, befolgen.

8. EINSCHALTEN

Es gibt zwei Funktionsmodi:

- **MANUELL (A)**

Obwohl die Elektropumpen mit einem Schwimmer ausgestattet sind, können sie auch im manuellen Modus betrieben werden, Abb.2

- 1) Den Schwimmerschalter so befestigen, dass er sich senkrecht (mit Kabel unten) über der Pumpe befindet (a). Solange der Schwimmerschalter oben ist, bleibt die Pumpe unabhängig von der Wasserhöhe in Betrieb.
- 2) Den Stecker des Stromkabels in eine 220-240V Steckdose einstecken.
- 3) Die Pumpe schaltet sich ein; sicherstellen, dass sie in das Fördermedium eingetaucht ist.

Da die Pumpe sich nicht automatisch abschaltet, wenn der Mindeststand erreicht ist, muss sie entweder von Hand ausgeschaltet oder der Stecker abgezogen oder der Schwimmer tiefer gesetzt werden (Automatikbetrieb).

Die max. Ansaugtiefe wird nur während der manuellen Funktion erreicht, weil der Schwimmerschalter im Automatikbetrieb die Pumpe vor Erreichen dieses Stands abschaltet.

- **AUTOMATISCH (B)**

Die Modelle mit Schwimmerschalter schalten sich automatisch ein, wenn der Wasserstand steigt und schalten sich aus, wenn der vorgesehene Mindeststand erreicht ist (Abb. 3).

- 4) Der Schwimmerschalter muss frei beweglich sein.
- 5) Den Stecker des Stromkabels in eine 220-240V Steckdose einstecken.
- 6) 3) Sobald der Schwimmer den Stand für ON erreicht hat, läuft die Pumpe an und bleibt solange in Betrieb, bis der Stand für OFF erreicht ist.

Einstellung der Einschalt-/Abschalhöhe:

(Für die min. Einschalt- und Abschalthöhe das Kapitel der technischen Daten konsultieren.)

Die Länge des Kabels muss einerseits die freie Beweglichkeit des Schwimmerschalters gewährleisten, und andererseits verhindern, dass er bis auf den Grund absinkt. Der Kabelabschnitt zwischen Schwimmerschalter und Kabelkerbe muss mindestens 10 cm lang sein. Je kürzer der Abschnitt zwischen Schwimmerschalter und Kabelkerbe ist, umso niedriger wird die Einschalthöhe, und umso höher die Abschalthöhe sein. Es ist möglich den Befestigungspunkt zu verändern, beispielsweise am unteren Clip, wodurch bei gleicher Länge eine niedrigere Abschalt- und Einschaltstand erhalten wird (Abb.4). Die Pumpe wird mit einer Schelle (Abb. 5) geliefert, die das Kabel des Schwimmers fixiert und sein Verschieben am Clip verhindert; soll das freie Kabel des Schwimmers verlängert oder verkürzt werden, die Schelle entsprechend verstellen. Sollte dies nicht möglich sein, muss das Kabel ausgewechselt werden. Einphasenmotoren sind mit eingebauten Wärmeschutzschaltern ausgestattet und können direkt an das Netz angeschlossen werden. NB: wenn der Motor überlastet wird, hält er automatisch an. Sobald er wieder abgekühlt ist, läuft er ohne irgendwelche manuellen Eingriffe automatisch wieder an.

9. VORSICHTSMASSNAHMEN

FROSTGEFAHR: Wenn die Pumpe bei Temperaturen unter 0°C längere Zeit nicht betrieben werden soll, muss das gesamte noch enthaltene Wasser entleert werden, weil es sonst vereisen und die Kunststoffteile beschädigen kann.

Wenn die Pumpe mit gechlortem Wasser oder mit Substanzen betrieben wurde, die zu Ablagerungen neigen, muss sie nach dem Gebrauch mit einem kräftigen Wasserstrahl ausgespült werden, damit sich keine Ablagerungen oder Verkrustungen bilden, die die Leistung der Pumpe mindern würden.

10. WARTUNG UND REINIGUNG

Bei normalem Betrieb erfordert die Pumpe keinerlei Wartung. In jedem Fall dürfen alle Reparatur- und Wartungsarbeiten ausschließlich bei spannungslos gemachter Pumpe durchgeführt werden. Bevor die Pumpe wieder eingeschaltet wird, stets kontrollieren, ob der Ansaugfilter eingebaut ist, damit jedes Risiko der zufälligen Berührung von Bewegungsteilen ausgeschlossen wird.

DEUTSCH

10.1 Reinigung des Ansaugfilters

(Abb.6)

- Die Spannungsversorgung der Pumpe unterbrechen.
- Die Pumpe entleeren.
- Die Befestigungsschrauben am Filter **(b)** aufschrauben.
- Das Ansauggitter **(c)** ausbauen.
- Das Ansauggitter reinigen und wieder einbauen.

10.2 Reinigung des Laufrads

(Abb.7)

- Die Spannungsversorgung der Pumpe unterbrechen.
- Die Pumpe entleeren.
- Die Befestigungsschrauben am Filter **(b)** aufschrauben.
- Das Ansauggitter **(c)** ausbauen.
- Die Pumpe mit sauberem Wasser waschen, damit etwaige Verschmutzungen zwischen Motor und Pumpenmantel **(d)** entfernt werden.
- Das Laufrad **(d)** reinigen.
- Sicherstellen, dass das Laufrad frei drehen kann.
- Die Teile in umgekehrter Reihenfolge wieder zusammenbauen.

11. STÖRUNGSSUCHE



Vor der Fehlersuche muss die Pumpe vom Stromnetz getrennt werden (Netzstecker ziehen). Falls Stromkabel oder elektrische Teile der Pumpe beschädigt sind, müssen Reparaturen von der Herstellerfirma oder seinem technischen Kundendienst bzw. von einer entsprechend qualifizierten Person durchgeführt werden, damit jedes Risiko ausgeschlossen wird.

	STÖRUNGEN	KONTROLLEN (mögliche Ursachen)	ABHILFEN
1	Der Motor läuft nicht an und erzeugt keinerlei Geräusch.	A. Sicherstellen, dass der Motor unter Spannung steht. B. Die Schmelzsicherungen prüfen. C. Der Schalter wird nicht vom Schwimmer ausgelöst.	A. Sicherstellen, dass der Stecker korrekt eingesteckt ist. B. Falls durchgebrannt, ersetzen. C. - Sicherstellen, dass sich der Schwimmer frei bewegen kann; nach oben versetzen. - Schachttiefe vergrößern.
2	Die Pumpe fördert nicht.	A. Ansauggitter oder Leitungen verstopft. B. Laufrad verschlissen oder blockiert. C. Die geforderte Förderhöhe übersteigt die Charakteristiken der Pumpe. D. Luft vorhanden.	A. Verstopfungen beseitigen oder eventuell verdrehte Leitungen richten. B. Laufrad austauschen oder die Verstopfung entfernen. C. Gegen eine Pumpe mit höherer Förderhöhe austauschen. D. Mindestens 1 Minute abwarten, bis die Luft entfernt ist.
3	Die Pumpe hält nicht an.	A. Der Schalter wird nicht vom Schwimmer ausgelöst.	A. Sicherstellen, dass sich der Schwimmer frei bewegen kann.
4	Die Fördermenge ist unzureichend.	A. Kontrollieren, ob das Ansauggitter teilweise verstopft ist. B. Kontrollieren, ob das Laufrad oder die Druckleitung teilweise verstopft oder verkrustet ist. C. Kontrollieren, ob das Rückschlagventil (falls vorhanden) teilweise verstopft ist.	A. Etwaige Verstopfungen beseitigen. B. Etwaige Verstopfungen beseitigen. C. Das Rückschlagventil gründlich säubern.
5	Die Pumpe funktioniert kurzzeitig und hält dann an.	A. Der Wärmeschutzschalter lässt die Pumpe anhalten.	A. Sicherstellen, dass das Fördermedium nicht zu viskos ist und den Motor überhitzten lässt. B. Sicherstellen, dass die Wassertemperatur nicht zu hoch ist. C. Sicherstellen, dass das Laufrad nicht von Festkörpern blockiert wird.

12. GARANTIE



Alle nicht zuvor genehmigten Änderungen der Pumpe entheben den Hersteller von jeder Haftpflicht. Alle für Reparaturen verwendeten Ersatzteile müssen Originalteile sein und alle Zubehöre müssen vom Hersteller autorisiert sein, weil nur so die größtmögliche Sicherheit der Maschinen und Anlagen gewährleistet werden kann.

Dieses Produkt verfügt über eine gesetzliche Garantiezeit (innerhalb der EG sind das 24 Monate ab dem Kaufdatum), die sämtliche auf Fabrikations- oder Materialfehler zurückzuführende Mängel deckt.

Das unter Garantie stehende Produkt kann nach Dafürhalten des Herstellers entweder durch ein einwandfrei funktionierendes Produkt ersetzt oder kostenlos repariert werden;

hierzu müssen die folgenden Bedingungen erfüllt sein:

- Das Produkt muss korrekt und gemäß den Anleitungen benutzt worden sein und es dürfen keinerlei Reparaturversuche seitens des Käufers oder dritten Personen unternommen worden sein.
- Das Produkt muss dem Händler zusammen mit dem Kaufbeleg (Rechnung oder Kassenbon) und einer kurzen Beschreibung des aufgetretenen Problems übergeben werden.

Das Laufrad und die Verschleißteile sind nicht von der Garantie gedeckt. Eine Reparatur oder der Ersatz unter Garantie verlängert in keinem Fall die ursprüngliche Garantiezeit.

TABLE DES MATIÈRES

1. APPLICATIONS.....	13
2. LIQUIDES POMPABLES.....	13
3. DONNEES TECHNIQUES ET LIMITES D'UTILISATION.....	13
4. GESTION.....	14
4.1 Stockage.....	14
4.2 Transport.....	14
4.3 Poids et dimensions.....	14
5. AVERTISSEMENTS.....	14
6. INSTALLATION.....	14
7. BRANCHEMENT ÉLECTRIQUE.....	15
8. INSTALLATION.....	15
9. PRECAUTIONS.....	15
10. ENTRETIEN ET NETTOYAGE.....	15
10.1 Nettoyage de la grille d'aspiration.....	16
10.2 Nettoyage de la turbine.....	16
11. RECHERCHE DE PANNES.....	16
12. GARANTIE.....	16

AVERTISSEMENTS



Avant de procéder à l'installation, lire attentivement toute la documentation.



Avant chaque intervention, débrancher la fiche. Il est strictement interdit de la faire fonctionner à sec : la pompe doit être actionnée uniquement lorsqu'elle est plongée dans l'eau. Si l'eau s'épuise, la pompe doit être immédiatement désactivée en débranchant la fiche du courant.

1. APPLICATIONS

Pompes submersibles conçues pour le drainage, la vidange et les transferts d'eau sale; elles peuvent être utilisées avec des eaux usées pouvant contenir des corps mous en suspension d'un diamètre maximal de 38 mm. Pompes pour des usages domestiques, avec mise en route automatique ou manuelle (marche forcée), pour drainer caves et garages sujets à des inondations, pour le vidage des puisards de drainage, le pompage dans les collecteurs d'eaux de pluie ou d'infiltrations en provenance des gouttières;

Grâce à leur forme compacte et maniable, elles peuvent être utilisées également comme pompes portatives pour les cas d'urgence comme le puisage d'eau dans des réservoirs ou des rivières, le vidage de piscines ou de tranchées ou passages souterrains (sans cailloux ou particules dures). Adaptées aussi pour le jardinage et le bricolage en général.



Ces pompes ne peuvent pas être utilisées dans des piscines, étangs, bassins en présence de personnes, ou pour le pompage d'hydrocarbures (essence, gazole, huiles combustibles, solvants, etc.) conformément aux normes de prévention des accidents en vigueur en la matière. Elles ne sont pas conçues pour une utilisation continue, mais d'urgence, sur une période limitée. Avant de les ranger, il faut prévoir une étape de nettoyage. Voir chapitre « Entretien et Nettoyage ».

2. LIQUIDES POMPABLES

Eaux fraîches	•
Eaux de pluie	•
Eaux usées claires	•
Eaux usées	•
Eaux chargées brutes contenant des corps solides avec fibres longues	○
Eaux de fontaines	•
Eaux de rivières ou lacs	•
Dimensions max. Des particules en suspension [mm]	Ø 38

Tableau 1

• Adapté

○ Non adapté

La pompe est étanche jusqu'à une immersion maximale de 7m. Voir Tableau 3.

3. DONNEES TECHNIQUES ET LIMITES D'UTILISATION

- Tension d'alimentation: 220-240V, voir plaque données électriques
- Fusibles de ligne retardés (version 220-240V): valeurs indicatives (A)
- Température de stockage : -10°C +40°C

Fusibles de ligne 220-240V 50Hz
3

Tableau 2

	Modèle	Drainage d'eaux sales P1=1000
Données Electriques	P1 Puissance absorbée Nominale [W]	1000
	Tension de réseau [V]	220-240 AC
	Fréquence de réseau [Hz]	50
	Courant [A]	4.2
	Condensateur [μ F]	12.5
	Condensateur [Vc]	450
Données hydrauliques	Débit max. [l/min]	320
	Hauteur totale nominale max. [m]	11
	Hauteur totale nominale max. [bar]	1.1
	Profondeur maxi d'immersion[m]	7
	Hauteur maxi d'arrêt. AUT [mm]	50
	Hauteur d'eau résiduelle max (marche forcée) en regard 400/400/400[mm]	50
Champ d'utilisation	Longueur. Cable alimentation [m]	10
	Type de câble	H07 RNF
	Indice de protection moteur	IP X8
	Classe d'isolement	F
	Plage de température du liquide [°C] selon EN 60335-2-41 usage domestique	0 °C / +35 °C
	Dimension maxi des particules. [mm]	Ø 38
	Temperature ambiante maxi [°C]	+40 °C
Poids	DNM GAS	1" 1/2 F
	Poids Net/Brut env. [kg]	8.2 / 10.1

*Ces valeurs dépendent de la longueur libre de câble, du point de débattement et de la taille du puisard
Tableau 3



La tuyauterie de refoulement ne doit exercer aucune contrainte sur la pompe elle même. Elle doit donc être soutenue d'une manière indépendante.

4. GESTION

4.1 Stockage

Toutes les pompes doivent être stockées dans un endroit couvert, sec et avec une humidité de l'air si possible constante, exempt de vibrations et de poussières. Elles sont fournies dans leur emballage d'origine dans lequel elles doivent rester jusqu'au moment de l'installation.

4.2 Transport

Éviter de soumettre les produits à des chocs et collisions.

4.3 Poids et dimensions

La plaque adhésive placée sur l'emballage indique le poids total de l'électropompe et ses dimensions.

5. AVERTISSEMENTS



Les pompes ne doivent jamais être transportées, soulevées ou fonctionner suspendues en utilisant le câble d'alimentation ; utiliser la poignée.

- La pompe ne doit jamais fonctionner sans eau.
- La pompe doit être positionnée de façon à ce que les orifices d'aspiration ne risquent pas d'être obstrués, en tout ou partie par des particules.
- Le dispositif d'étanchéité contient du lubrifiant atoxique mais qui peut altérer les caractéristiques de l'eau, quand on pompe de l'eau pure, si la pompe devait avoir des fuites.
- Le moteur est équipé d'une protection thermique. En cas d'éventuelles surcharges, le thermique coupera le moteur automatiquement. La durée de refroidissement est d'environ 15-20 min. après quoi la pompe peut redémarrer automatiquement. Après une intervention de la protection thermique, il est nécessaire d'en rechercher la cause et de la supprimer. Consulter la section Recherche de pannes.

6. INSTALLATION

Monter le raccord fourni en assurant la parfaite étanchéité . De plus, utiliser un collier de serrage (non fourni) pour fixer le tuyau sur le raccord. Pour les versions eaux sales , il n'est fourni qu'un équipement pour tuyauterie 1"1/2 mm (40/49), dans le cas où on voudrait installer une tuyauterie de diamètre supérieur, remplacer le raccord en conséquence (non fourni).

- Il est conseillé d'utiliser un tuyau de diamètre interne minimum 38 mm pour éviter les pertes de performances et les risques de congestion. Si le fond du puisard, là où doit se poser la pompe, devait présenter de la saleté en quantité importante, prévoir un support rehaussé pour éviter des engorgements de la crépine d'aspiration (Fig.1) et un endommagement de la pompe.

- Prévoir que le puisard d'installation ait les dimensions minimales ci-dessous:
Dimensions base min. (mm) 400x400 / profondeur min. (mm) 500
- Faire attention que le flotteur soit toujours libre de mouvement, laisser au moins 5 cm depuis les parois du puisard. Le puisard devrait toujours avoir des dimensions en relation avec la quantité d'eau en arrivée et au débit de la pompe, pour ne pas soumettre le moteur et des démarrages excessifs/heure ; il est strictement déconseillé de dépasser les 20 démarrages/heure



La pompe doit être installée en position verticale !

7. BRANCHEMENT ÉLECTRIQUE



La longueur du câble d'alimentation présent sur la pompe limite la profondeur maximum d'immersion pour l'utilisation de celle-ci. Respecter les indications présentes sur la plaque technique et dans le tableau 3 de ce manuel.

8. INSTALLATION

Il existe deux modes de fonctionnement :

• MANUEL (A)

Les pompes bien qu'ayant un flotteur peuvent être utilisées en mode manuel Fig.2

- 1) Fixer l'interrupteur dans le logement prévu afin qu'il reste vertical sur la pompe (avec le câble arrivant d'en bas) (a). Tant que le flotteur reste ainsi, la pompe restera en marche indépendamment du niveau d'eau (empêcher la marche à sec).
- 2) Brancher la fiche du câble dans une prise de courant de 220-240V.
- 3) La pompe se met en marche, s'assurer qu'elle soit complètement immergée dans le liquide à aspirer.

Faire très attention quand la pompe ne sera pas en Automatique, une fois le niveau minimum atteint, elle devra être éteinte manuellement par l'utilisateur, ou en débranchant la fiche ou en baissant le flotteur (rétablissement fonctionnement automatique).

Le niveau d'aspiration maximal ne pourra être atteint que pendant la marche forcée (MANUEL) puisqu'en automatique, la pompe s'arrêtera bien avant ce niveau, même avec le réglage maxi du câble du flotteur.

• AUTOMATIQUE (B)

Les modèles munis d'interrupteur à flotteur sont mis en marche automatiquement quand le niveau d'eau monte et dépasse le point de débattement supérieur qui dépend du point d'accroche choisi et de la longueur de câble libre (Fig.3).

- 1) Laisser le flotteur libre de ses mouvements (point d'accroche néanmoins obligatoire).
- 2) Brancher la fiche du câble dans une prise de courant de 220-240V.
- 3) Quand le flotteur atteint le niveau supérieur ON la pompe se met en route et reste en fonctionnement jusqu'à atteindre le niveau bas OFF.

Reglages des hauteur de démarrage/arrêt :

(Consulter les données techniques pour connaître les valeurs minimales possibles)

La longueur du câble doit permettre au flotteur de bouger librement et d'éviter qu'il puisse entrer en contact avec le fond ou se coincer. La partie du câble entre le flotteur et l'accroche câble ne doit jamais mesurer moins de 10 cm. Plus le câble est court et plus basse sera la hauteur de mise en route et plus haute celle d'arrêt. On peut changer le point d'accroche, par exemple sur le clip inférieur, pour une longueur de câble identique, on aura un niveau d'arrêt plus bas ainsi que celui de démarrage (Fig.4). La pompe est fournie avec un anneau de serrage (Fig. 5) qui bloque le câble du flotteur et l'empêche de coulisser sur le clip; dans le cas où l'on modifiera la longueur de câble, cet anneau devra être bougé en conséquence. Les moteurs de pompes monophasées sont munis de protection thermo-ampérométrique et peuvent être directement raccordés au réseau. NB: en cas de surcharge, le moteur s'arrête automatiquement. Une fois refroidi, il repart automatiquement sans besoin d'intervention manuelle. (rechercher cause de la panne).

9. PRECAUTIONS

Danger de gel: lorsque la pompe reste inactive à une température inférieure à 0 °c, il faut s'assurer qu'il n'y ait pas de résidus d'eau qui en gelant pourraient créer des fêlures de parties en plastique.

Si la pompe a été utilisée avec des substances qui tendent à se déposer, rincer après l'utilisation, avec un puissant jet d'eau pour éviter la formation de dépôts ou d'incrustations qui tendraient à réduire les caractéristiques de la pompe et l'endommager. Eviter et supprimer tous les encrustements calcaires qui pourraient limiter les échanges thermiques entre le moteur et l'eau.

10. ENTRETIEN ET NETTOYAGE

L'électropompe, dans le fonctionnement normal, ne demande aucune maintenance particulière sauf le nettoyage régulier du puisard et la suppression des salissures ou encrustements sur la pompe. Dans tous les cas, toutes les interventions de réparation et de maintenance ne doivent être effectuées qu'après avoir débranché la pompe. Quand on fait repartir la pompe, vérifier que la crépine d'aspiration est toujours montée de manière à ne pas créer de danger ou possibilité de contact accidentel avec les parties en mouvement;

10.1 Nettoyage de la grille d'aspiration**(Fig.6)**

- Mettre hors tension.
- Vidanger la pompe.
- Oter les vis de fixation du pied **(b)**.
- Sortir la grille d'aspiration **(c)**.
- La nettoyer et la rémonter.

10.2 Nettoyage de la turbine**(Fig.7)**

- Mettre hors tension puis vidanger la pompe.
- Oter les vis de fixation du pied **(b)**.
- Enlever la grille d'aspiration **(c)**.
- Nettoyer l'intérieur de la pompe à l'eau propre et oter les impuretés en particulier entre le moteur et la chemise de la pompe **(d)**.
- Nettoyer la turbine **(d)** et vérifier la libre rotation de la turbine.
- Remonter toutes les pièces dans le sens inverse du démontage.

11. RECHERCHE DE PANNES

Avant de commencer la recherche des pannes, il faut couper l'alimentation électrique de la pompe (retirer la fiche de la prise). Si le câble d'alimentation ou un composant électrique quelconque de la pompe sont abîmés, la réparation ou le remplacement de la pièce doivent être effectués par le Constructeur ou par son service après-vente, ou bien par une personne ayant une qualification équivalente de manière à prévenir tout risque.

INCONVENIENTS		CAUSES	REMEDES
1	Le moteur ne démarre pas et ne fait aucun bruit.	A. Vérifier que le moteur soit sous tension. B. Vérifier les fusibles de protection. C. L'interrupteur n'est pas activé par le flotteur.	A. Vérifier que la fiche soit correctement insérée. B. S'ils sont grillés, les remplacer. C. Vérifier que le flotteur bouge librement. - Le placer vers le haut. - Augmenter la profondeur du puisard.
2	La pompe n'a pas de débit.	D. La crépine d'aspiration ou les tuyaux sont bouchés. E. La roue est usée ou bouchée. F. La hauteur manométrique demandée dépasse les caractéristiques de la pompe. G. Présence d'air. E - Niveau en dessous du minimum d'aspiration.	A. Retirer les obstructions ou étendre la tuyauterie si elle est entortillée. B. Remplacer la roue ou éliminer l'obstruction. C. La remplacer par une avec une hauteur plus élevée. D. Attendre au moins 1 minute jusqu'à ce qu'il soit éliminé.
3	La pompe ne s'arrête pas.	H. L'interrupteur n'est pas désactivé par le flotteur.	A. Vérifier que le flotteur bouge librement.
4	Le débit est insuffisant.	A. Vérifier que la crépine d'aspiration n'est pas partiellement bouchée. B. Vérifier que la turbine ou le tuyau de refoulement ne sont pas partiellement bouchés ou incrustés. C. Vérifier que le clapet antiretour (s'il est prévu) n'est pas partiellement bouché.	A. Éliminer les éventuelles obstructions. B. Éliminer les éventuelles obstructions. C. Nettoyer soigneusement le clapet antiretour.
5	La pompe s'arrête après avoir fonctionné peu de temps.	Le dispositif de protection thermoampèremétrique arrête la pompe.	A. Vérifier la densité du liquide à évacuer. B. Vérifier la température de l'eau. C. Vérifier qu'aucun corps ne bloque la rotation de la turbine.

12. GARANTIE

Toute modification non autorisée au préalable dégage le constructeur de tout type de responsabilité. Toutes les pièces de rechange utilisées dans les réparations doivent être originales et tous les accessoires doivent être autorisés par le constructeur de manière à pouvoir garantir le maximum de sécurité des machines et des installations sur lesquelles ils peuvent être montés.

Ce produit est couvert par une garantie légale (dans la Communauté européenne pendant 24 mois à partir de la date d'achat) concernant tous les défauts imputables à des vices de fabrication ou de matériau utilisé.

Le produit en garantie pourra être, à discrétion, soit remplacé par un nouveau en parfait état de fonctionnement ou réparé gratuitement si les conditions suivantes sont observées:

- Le produit a été utilisé correctement et conformément aux instructions et qu'aucune tentative de réparation n'ait été effectuée par l'acheteur ou par des tiers.
- Le produit a été remis au point de vente d'achat, avec la documentation qui atteste l'achat (facture ou ticket Fiscal d'origine) et une brève description du problème rencontré.

La roue (turbine), les pièces sujettes à l'usure et les raccords ne sont pas concernés par la garantie. L'intervention sous garantie n'étend en aucun cas la durée initiale. Enfin, le fabricant met tout en œuvre afin de fournir sur commande les pièces détachées principales dites d'usure pendant une durée minimale de 5 ans après la date de fabrication figurant dans le numéro de série.

ÍNDICE

1. APLICACIONES.....	17
2. LÍQUIDOS QUE SE PUEDEN BOMBEAR	17
3. DATOS TÉCNICOS Y LÍMITES DE USO	17
4. GESTIÓN.....	18
4.1 Almacenaje.....	18
4.2 Transporte.....	18
4.3 Peso y medidas.....	18
5. ADVERTENCIAS	18
6. INSTALACIÓN	18
7. CONEXIÓN ELÉCTRICA	19
8. PUESTA EN MARCHA	19
9. PRECAUCIONES.....	19
10. MANTENIMIENTO Y LIMPIEZA	19
10.1 Limpieza de la rejilla de aspiración	20
10.2 Limpieza del rotor.....	20
11. Búsqueda de averías.....	20
12. Garantía	20

ADVERTENCIAS



Antes de proceder con la instalación, leer detenidamente esta documentación.



Antes de cada operación, desconectar la clavija. Está prohibido hacer funcionar la bomba en seco: la bomba se acciona exclusivamente cuando se sumerge en el agua. Si el agua se acabara, la bomba debe desactivarse de inmediato desconectando la clavija de la corriente eléctrica.

1. APLICACIONES

Bombas sumergibles potentes para drenaje, desagüe y pequeños sistemas de riego; se las puede emplear con aguas sucias incluso si hay cuerpos en suspensión, siempre que no superen 38 mm.

Bombas para uso doméstico, con funcionamiento manual o automático, para el desagüe de sótanos y garajes propensos a inundarse, para el bombeo de pozos de drenaje, sumideros de recogida de agua de lluvia o infiltraciones provenientes de canalones, etc.

Gracias a su forma compacta y manejable, son adecuadas para empleos especiales como bombas portátiles para casos de emergencia como por ejemplo extraer agua de depósitos o ríos, vaciar piscinas y fuentes, excavaciones o pasos subterráneos. Además son idóneas para jardinería y bricolaje en general.



No se pueden utilizar estas bombas en piscinas, estanques ni embalses con presencia de personas, y tampoco para bombear hidrocarburos (gasolina, gasóleo, aceites combustibles, disolventes, etc.), según las normas de prevención de accidentes vigentes en materia. Antes de guardarlas se recomienda limpiarlas. Ver el capítulo "Mantenimiento y Limpieza".

2. LÍQUIDOS QUE SE PUEDEN BOMBEAR

Aguas frescas	•
Agua de lluvia	•
Aguas claras residuales	•
Aguas sucias	•
Aguas cargadas bastas con cuerpos sólidos de fibras largas	○
Agua de fuente	•
Agua de río o lago	•
Tamaño máx. de las partículas [mm]	Ø 38

Tabla1

- Apto
- No apto

La bomba es hermética y debe sumergirse en el líquido hasta una profundidad máxima de 7 m. Ver la Tabla 3.

3. DATOS TÉCNICOS Y LÍMITES DE USO

- Tensión de alimentación: 220-240V ver placa de datos eléctricos
- Fusibles de línea retardados (versión 220-240V): valores indicativos (Amperios)
- Temperatura de almacenaje: -10°C +40°C

Fusibles de línea 220-240V 50Hz
3

Tabla2

	Modelo	Drenaje de aguas sucias P1=1000
Datos eléctricos	P1 Potencia absorbida Nominal [W]	1000
	Voltaje de red [V]	220-240 AC
	Frecuencia de red [Hz]	50
	Corriente [A]	4.2
	Condensador [µF]	12.5
	Condensador [Vc]	450
Datos hidráulicos	Caudal máx. [l/min]	320
	Altura de elevación máx. [m]	11
	Altura de elevación máx. [bar]	1.1
	Profundidad máx. de inmersión [m]	7
	Altura de arranque mín. AUT [mm]	50
	Altura agua residual [mm]	50
Campo de utilización	Long. cable de alimentación [m]	10
	Tipo de cable	H07 RNF
	Grado de protección del motor	IP X8
	Clase de aislamiento	F
	Rango de temperatura del líquido [°C] de acuerdo con la Norma EN 60335-2-41 para uso doméstico	0 °C / +35 °C
	Tamaño máx. de las partículas [mm]	Ø 38
	Temperatura ambiente máx. [°C]	+40 °C
Peso	DNM GAS	1" 1/2 F
	Peso Neto/Bruto aprox. [kg]	8.2 / 10.1

Tabla 3



La bomba colocada sin apoyarla en una base no puede sostener el peso de las tuberías, que habrá que sostener de otra manera.

4. GESTIÓN

4.1 Almacenaje

Todas las bombas deben almacenarse en un lugar cubierto, seco y con un porcentaje de humedad lo más constante posible, libre de vibraciones y de polvo. Las bombas se entregan dentro de su embalaje original en el que deben conservarse hasta el momento de la instalación.

4.2 Transporte

Evitar someter los productos a golpes y choques inútiles.

4.3 Peso y medidas

En la placa adhesiva aplicada en el embalaje se indican el peso total de la electrobomba y sus medidas.

5. ADVERTENCIAS



Las bombas nunca se deben transportar, levantar o hacer funcionar en forma suspendida utilizando el cable de alimentación; utilizar el asa respectivo.

- La bomba no deberá nunca funcionar en seco.
- Coloque la bomba de manera que los orificios de la base de aspiración no sean obstruidos, ni total ni parcialmente, por la suciedad.
- El dispositivo de estanqueidad contiene lubricante atóxico que puede alterar las características del agua, si se trata de agua pura, en el caso la bomba tuviera pérdidas.
- La bomba está equipada con un interruptor de sobrecarga térmico. De recalentarse el motor, el interruptor de sobrecarga apaga automáticamente la bomba. El tiempo de enfriamiento es de alrededor de 15-20 min, después la bomba se vuelve a encender automáticamente. Cuando se activa el interruptor de sobrecarga, es necesario buscar la causa y eliminarla. Consulte el punto Búsqueda de Averías.

6. INSTALACIÓN

Enroscar el codo con boquilla presente en el embalaje. Para la versión de aguas sucias, hay solo una conexión para tubos de 1"1/2; si se debe utilizar una tubería de diámetro más grande, sustituir el codo de conexión. Utilizar también una abrazadera para fijar el tubo a la conexión.

- Se recomienda utilizar tuberías con un diámetro interior mínimo de 38 mm para evitar la disminución de los rendimientos de la bomba y la posibilidad de atascamientos.

- Si el fondo del sumidero donde se debe apoyar la bomba estuviera muy sucio, es conveniente colocar un soporte elevado con la finalidad de evitar el atascamiento de la rejilla de aspiración (Fig.1)
- Sumergir completamente la bomba en el agua
- El sumidero debe tener como mínimo las siguientes medidas:
Medidas básicas mín. (mm) 400x400 / Altura mín. (mm) 400
- El flotador tiene que moverse libremente, dejar al menos 5 cm desde la pared del sumidero.
- El sumidero siempre deberá tener las medidas en relación con la cantidad de agua que entra y el caudal de la bomba, con la finalidad de no someter el motor a excesivos arranques por hora; es muy importante no superar los 20 arranques por hora.



¡Hay que instalar la bomba en posición vertical!

7. CONEXIÓN ELÉCTRICA



La longitud del cable de alimentación con que está dotada la bomba limita la profundidad máxima de inmersión de la misma. Atenerse a las indicaciones dadas en la placa de datos técnicos y en la tabla 3 de este manual.

8. PUESTA EN MARCHA

Existen dos métodos de puesta en marcha:

• MANUAL (A)

Las electrobombas, aunque tengan el flotador, se pueden utilizar en modo manual Fig.2

- 1) Fijar el interruptor flotante de manera que quede en posición vertical por encima de la bomba (con el cable abajo) (a). Mientras el interruptor flotante quede levantado, la bomba sigue funcionando independientemente del nivel de agua.
- 2) Conecte la clavija del cable de alimentación a un tomacorriente de 220-240V.
- 3) La bomba se pondrá en marcha, asegurarse de que esté sumergida en el líquido que se debe aspirar.

Tener cuidado porque la bomba no se apagará de forma automática, cuando se alcance el nivel mínimo el usuario tendrá que apagarla manualmente, desconectando la clavija o bajando el flotador (funcionamiento automático).

El nivel máximo de aspiración se alcanza solo durante el funcionamiento manual porque en la condición de funcionamiento automático el interruptor flotante detiene la bomba antes de alcanzar dicho nivel.

• AUTOMÁTICA (B)

Los modelos con interruptor flotante se ponen en marcha automáticamente cuando el nivel del agua sube y se apagan cuando se alcanza el nivel mínimo previsto (Fig.3)

- 1) Dejar que el flotador se mueva libremente.
- 2) Conectar la clavija del cable de alimentación a un tomacorriente de 220-240V.
- 3) Cuando el flotador alcanza el nivel ON, la bomba arrancará y seguirá funcionando hasta que se alcance el nivel de OFF.

Regulación de la altura de arranque/parada:

(Para conocer la altura mínima de activación y desactivación, consultar el capítulo Datos técnicos)

La longitud del cable debe permitir que el interruptor flotante pueda moverse libremente y también debe evitar que el mismo quede apoyado sobre el fondo. La porción de cable entre el interruptor flotante y el prensaestopas no debe ser inferior a 10 cm. Cuanto más corto es el cable entre el interruptor flotante y el prensaestopas, menor será la altura de arranque y mayor será la de parada. Es posible cambiar el punto de fijación, por ejemplo en el clip inferior; a igualdad de longitud, se obtendrá un nivel de parada y de arranque más bajo (Fig.4). La bomba se suministra con una abrazadera (Fig. 5) que fija el cable del flotador e impide su deslizamiento en el clip; si se decide alargar o acortar el cable libre del flotador, desplazar la abrazadera; si no fuera posible, sustituirla. Los motores monofásicos incorporan una protección termoamperimétrica y se pueden conectar directamente a la red. NOTA: si el motor está sobrecargado se detendrá automáticamente. Una vez que se enfría, arranca automáticamente sin la necesidad de tener que intervenir manualmente.

9. PRECAUCIONES

PELIGRO DE CONGELACIÓN: cuando la bomba queda inactiva con una temperatura bajo 0 °C, es necesario asegurarse de que no queden residuos de agua porque al congelarse pueden agrietar las piezas de plásticos.

Si la bomba ha sido utilizada con sustancias que tienden a depositarse o con agua con cloro, enjuagarla después del uso con un chorro de agua fuerte para que no se formen depósitos o incrustaciones que podrían reducir las características de la bomba.

10. MANTENIMIENTO Y LIMPIEZA

Durante el funcionamiento normal la electrobomba no requiere ningún mantenimiento. De cualquier modo, todas las operaciones de reparación y mantenimiento se deberán ejecutar únicamente tras desconectar la bomba de la red de alimentación. Al arrancar de nuevo la bomba asegurarse siempre de que esté montado el filtro de aspiración, con el fin de no crear peligro o posibilidades de contacto casual con las piezas en movimiento.

10.1 Limpieza de la rejilla de aspiración

(Fig.6)

- Deshabilitar la alimentación eléctrica de la bomba.
- Drenar la bomba.
- Desenroscar los tornillos de fijación del filtro (b).
- Desmontar la rejilla de aspiración (c).
- Limpiar y volver a montar la rejilla de aspiración.

10.2 Limpieza del rotor

(Fig.7)

- Deshabilitar la alimentación eléctrica de la bomba.
- Drenar la bomba.
- Desenroscar los tornillos de fijación del filtro (b).
- Desmontar la rejilla de aspiración (c).
- Lavar la bomba con agua limpia para quitar las posibles impurezas entre el motor y el forro de la bomba. (d).
- Limpiar el rotor (d).
- Verificar que el rotor gire libremente.
- Ensamblar las piezas en sentido inverso a la secuencia de desmontaje.

11. BÚSQUEDA DE AVERÍAS



Antes de comenzar a buscar los desperfectos, corte la conexión eléctrica de la bomba (desenchúfela). Si el cable de alimentación o alguna pieza eléctrica de la bomba estuvieran averiados, la reparación o sustitución deben ser llevados a cabo por el Fabricante o por su servicio de asistencia técnica o bien por personal cualificado, para prevenir cualquier riesgo

PROBLEMAS	CONTROLES	SOLUCIONES
1 El motor no arranca ni hace ruidos.	A. Comprobar que el motor esté bajo tensión. B. Comprobar los fusibles de protección. C. El flotador no activa el interruptor.	A. Comprobar que la clavija esté bien conectada. B. De estar quemados, sustituirlos. C. -Comprobar que el flotador se mueva libremente. Colocarlo hacia arriba. - Aumentar la profundidad del pozo
2 La bomba no bombea agua.	A. La rejilla de aspiración o las tuberías están obstruidas. B. El rotor está desgastado o atascado. C. La altura de elevación requerida es superior a las características de la bomba. D. Presencia de aire.	A. Eliminar las obstrucciones o extender el tubo si estuviera retorcido. B. Sustituir el rotor o eliminar la obstrucción. C. Sustituirla por una con una altura de elevación más alta. D. Esperar al menos 1 minuto hasta que se purgue el aire.
3 La bomba no se detiene.	A. El flotador no desactiva el interruptor.	A. Comprobar que el flotador se mueva libremente.
4 El caudal es Insuficiente.	A. Comprobar que la rejilla de aspiración no esté parcialmente obstruida. B. Comprobar que el rotor o el tubo de impulsión no estén parcialmente obstruidos o con incrustaciones. C. Comprobar que la válvula de retención (de haberla) no esté parcialmente obstruida.	A. Eliminar las posibles obstrucciones. B. Eliminar las posibles obstrucciones. C. Limpiar bien la válvula de retención.
5 La bomba se para después de funcionar por un breve periodo de tiempo.	A. El dispositivo de protección termoamperimétrico para la bomba.	A. Comprobar que el líquido a bombear no sea demasiado denso dado que ocasionaría el sobrecalentamiento del motor. B. Comprobar que la temperatura del agua no sea demasiado alta.

12. GARANTÍA



Cualquier modificación no autorizada previamente exime al fabricante de toda responsabilidad. Todas las piezas de recambio utilizadas en las reparaciones deberán ser originales y todos los accesorios estará autorizados por el fabricante, con el fin de garantizar la máxima seguridad de las máquinas y de las instalaciones en las que están montadas.

Este producto está amparado por una garantía legal (en la Comunidad Europea durante 24 meses a partir de la fecha de compra) contra todos los defectos debidos a vicios de fabricación o materiales utilizados.

El producto cubierto por la garantía podrá ser, a discreción del fabricante, sustituido por uno que funcione perfectamente o reparado de forma gratuita si se observan las siguientes condiciones:

- el producto haya sido utilizado adecuadamente y de acuerdo con las instrucciones y ni el comprador ni terceros hayan intentado repararlo;
- el producto haya sido entregado en la tienda donde se ha comprado, adjuntando el documento que acredite la compra (factura o recibo fiscal) y una breve descripción del problema.

El rotor y las piezas sujetas a desgaste no están amparados por garantía. La reparación bajo garantía no extiende por ningún motivo el período original.

СЪДЪРЖАНИЕ

1. ПРИЛОЖЕНИЯ	21
2. ТЕЧНОСТИ ЗА ИЗПОМПВАНЕ.....	21
3. ТЕХНИЧЕСКИ ДАННИ И ОГРАНИЧЕНИЯ ЗА УПОТРЕБА.....	21
4. СТОПАНИСВАНЕ.....	22
4.1 Съхранение.....	22
4.2 Транспорт.....	22
4.3 Тегло и размери.....	22
5. ПРЕДУПРЕЖДЕНИЯ	22
6. МОНТИРАНЕ.....	22
7. ЕЛЕКТРИЧЕСКО СВЪРЗВАНЕ	23
8. СТАРТИРАНЕ	23
9. ПРЕДПАЗНИ МЕРКИ.....	23
10. ПОДДРЪЖКА И ПОЧИСТВАНЕ	23
10.1 Почистване на аспирационната решетка.....	24
10.2 Почистване на ротора	24
11. ОТКРИВАНЕ НА ПОВРЕДИ	24
12. ГАРАНЦИЯ.....	24

ПРЕДУПРЕЖДЕНИЯ



Преди да пристъпите към монтажа, прочетете внимателно цялата документация.



Преди всяка операция изваждайте щепсела. Никога не трябва да се допуска работа на сухо: помпата да се включва, само когато е потопена във водата. Ако водата се изчерпи, помпата трябва веднага да се изключи чрез изваждане на щепсела от мрежата

1. ПРИЛОЖЕНИЯ

Мощни потопяеми помпи за дрениране и изпразване и напояване на малки участъци; могат да се използват с мръсна вода и в присъствието на плаващи тела с максимални размери до 38 mm. Помпи за битови нужди, с ръчно или автоматично функциониране, за отводняване на мазета и гаражи, които са били наводнени, за изпомпване на дренажни кладенци, изпомпване на кладенци за събиране на дъждовните води и на инфилтрирания на води от водостоци и др.

Благодарение на компактната си и лесна за работа форма намират и специално приложение като преносими помпи за аварийни ситуации, като например източване на вода от резервоари или реки, изпразване на басейни и фонтани или на изкопни ями или подземи. Подходяща е и за градината и като цяло за употреба в свободното време.



Тези помпи не могат да бъдат използвани в басейни, херметични съдове, басейни с наличие на налягане и/или за изпомпване на въглеродороди (бензин, дизел, течни горива, разтворители и др.) съгласно действащите разпоредби срещу злополуки. Не са проектирани за непрекъсната употреба, а за аварийни ситуации с ограничен период на употреба. Преди да ги приберете за съхранение, е добре да предвидите почистването им. Виж глава “Поддръжка и почистване”.

2. ТЕЧНОСТИ ЗА ИЗПОМПВАНЕ

Чиста вода	•
Дъждовна вода	•
Нефекални отпадъчни води	•
Мръсна вода	•
Непречистени отпадъчни води, съдържащи твърди частици с дълги влакна	○
Вода от фонтани	•
Речни или езерни води	•
Макс. размер на частиците [mm]	Ø 38

Таблица 1

- Подходяща
- Неподходяща

Помпата е водонепроницаема и трябва да се потапя в течността на максимална дълбочина от 7m. Виж Таблица 3.

3. ТЕХНИЧЕСКИ ДАННИ И ОГРАНИЧЕНИЯ ЗА УПОТРЕБА

- **Захранващо напрежение: 220-240V**, виж идент.табела с електрическите данни

Предпазители по линията 220-240V 50Hz
3

Таблица 2

БЪЛГАРСКИ

- **Предпазители по линията с отложено действие (версия 220-240V):** примерни стойности (Амperi)
- **Температура на складиране:** -10°C +40°C

	Модел	Дрениране Мръсна вода P1=1000
Данни - електрическа част	P1 Номинална консумирана мощност [W]	1000
	Мрежово напрежение [V]	220-240 AC
	Мрежова честота [Hz]	50
	Ток [A]	4.2
	Кондензатор [μ F]	12.5
	Кондензатор [Vc]	450
Данни - хидравлична част	Макс. дебит [l/min]	320
	Макс. напор [m]	11
	Макс. напор [bar]	1.1
	Макс. дълбочина на потапяне [m]	7
	Мин. височина на стартиране АВТ. [mm]	50
	Височина на остатъчната вода [mm]	50
Сфера на приложение	Дълж. Захранващ кабел [m]	10
	Вид кабел	H07 RNF
	Степен на защита на двигателя	IP X8
	Клас изолация	F
	Температурен обхват на течността [°C] съгласно EN 60335-2-41 за битова употреба	0 °C / +35 °C
	Макс. размер на частиците [mm]	Ø 38
	Макс. температура на околната среда [°C]	+40 °C
Тегло	DNM GAS	1" 1/2 F
	Тегло Нето/Бруто пригл. [kg]	8.2 / 10.1

Таблица 3



Помпа, която не се разполага върху основа, не може да издържи тежестта на тръбите, която в противен случай трябва да се понесе.

4. СТОПАНИСВАНЕ

4.1 Съхранение

Всички помпи трябва да се съхраняват в закрито, сухо място, по възможност с постоянна влажност на въздуха, без вибрации и прах. Доставят се в оригинална опаковка, в която трябва да останат до момента на монтажа.

4.2 Транспорт

Evitare di sottoporre i prodotti ad inutili urti e collisioni.

4.3 Тегло и размери

Идентификационният стикер, поставен върху опаковката, съдържа указание за общото тегло на електрическата помпа и за нейните размери.

5. ПРЕДУПРЕЖДЕНИЯ



Помпите никога не трябва да се транспортират, повдигат или пускат в действие, окачени за захранващия кабел, използвайте специалната дръжка.

- Помпата никога не трябва да се оставя да работи на сухо.
- Помпата се позиционира по такъв начин, че да не се запушват отворите на всмукателния крак, частично или изцяло от мърсотията.
- Уплътнителното устройство съдържа нетоксично смазочно вещество, но то може да промени характеристиките на водата, ако от помпата има теч в случай, че става дума за чиста вода.
- Помпата е снабдена с термична защита, за предпазване на мотора. В случай на прегряване на мотора, термичната защита изключва помпата автоматично. Времето на охлаждане е около 15-20 min., след което помпата се включва отново автоматично. След задействане на термичната защита на мотора, е абсолютно необходимо да се открие и отстрани причината, която е предизвикала задействането на защитата. Вижте за справка "Търсене на повреди".

6. МОНТИРАНЕ

Завийте колянното и нипела за маркуча, намиращ се в опаковката. За версията за отпадъчни води, разполагаме само с тръбна свързка с размер 1"1/2, ако желаете да използвате тръба с по-голям диаметър, сменете колянната връзка. Освен това използвайте скобата за пристягане на маркуча, за да фиксирате тръбата към свързката.

БЪЛГАРСКИ

- Препоръчва се използването на тръби с вътрешен диаметър най-малко 38 mm, за да се избегне влошаване на работните характеристики на помпата и вероятност от запушване.
- В случай, че на дъното на ямата, където помпата трябва да се разположи, има значителни замърсявания, е необходимо да се предвиди повдигната подпора, за да се предотврати запушване на аспирационната решетка (Фиг.1).
- Потопете помпата изцяло във водата.
- Погрижете се ямата, в която се поставя помпата, да има минимални размери, като следните стойности:
Мин. размери основа (mm) 400x400 / Мин. височина (mm) 400
- Обърнете внимание поплавъкът да се движи свободно, оставете най-малко 5 cm от стената на ямата.
- Ямата винаги ще трябва да се оразмерява и по отношение на количеството на пристигащата вода и на дебита на помпата, за да се избегне подлагането на двигателя на прекалено много стартирания/час, силно се препоръчва да не се превишават 20 стартирания/час.



Помпата трябва да се монтира във вертикална позиция!

7. ЕЛЕКТРИЧЕСКО СВЪРЗВАНЕ



Дължината на захранващия кабел, наличен към помпата, ограничава максималната дължина за потапяне при използването на самата помпа. Придържайте се към указанията, посочени в табелата с техническите данни и в това ръководство, таблица 3.

8. СТАРТИРАНЕ

Съществуват два режима на работа:

• РЪЧЕН (А)

Тъй като електрическите помпи имат поплавък, могат да се използват в ръчен режим Фиг.2

- 1) Закрепете подвижния прекъсвач така, че да бъде във вертикална позиция върху помпата (с кабел отдолу)
(а) Докато подвижният прекъсвач е повдигната позиция, помпата ще работи независимо от нивото на водата.
- 2) Включете щепсела на захранващия кабел към захранващ контакт от 220-240V.
- 3) Помпата ще започне да работи, уверете се, че е потопена в течността, която ще засмуква.

Внимавайте помпата да не се изключи автоматично, след като достигне минималното ниво, ще трябва да се изключи ръчно от потребителя, чрез изваждане на щепсела или чрез спускане надолу на поплавъка (автоматично функциониране). Максималното ниво за засмукване се достига само при работа в ръчен режим, тъй като в условията на автоматичен режим подвижният прекъсвач спира помпата преди достигането на това ниво.

• АВТОМАТИЧЕН (В)

Моделите, оборудвани с прекъсвач с поплавък, се включват автоматично, когато нивото на водата се покачи и се изключват при достигане на предвиденото минимално ниво (Фиг.3).

- 1) Оставете поплавъка да се движи свободно.
- 2) Включете щепсела на захранващия кабел към захранващ контакт от 220-240V.
- 3) Когато поплавъкът достигне ниво ON, помпата ще се включи и ще работи до достигането на нивото OFF.

Регулиране на височината и стартиране/спиране:

(За да разберете минималната височина на включване и изключване, направете справка с глава Технически данни). Дължината на кабела трябва да позволява от една страна подвижният прекъсвач да се движи свободно, а от друга да не позволява да се допира в дъното. Частта от кабела между подвижния прекъсвач и жлеба на кабелния държач не трябва да бъде по-малко от 10 cm. Колкото по-къса е частта между подвижния прекъсвач и жлеба на кабелния държач, толкова по-ниска ще бъде височината на стартиране и толкова по-висока тази на спиране. Точката на закрепване може да се промени, например на долния фиксатор, при равна дължина, ще се получи по-ниско ниво на спиране и на стартиране (Фиг.4). Помпата е оборудвана с шлангова скоба (Фиг. 5), която фиксира кабела на поплавъка и не позволява плъзгането му в скобата, ако решите да удължите или скъсите свободния кабел на поплавъка, преместете скобата на съответното ниво, ако не е възможно, предвидете смяната ѝ. Еднофазните двигатели са снабдени с вградена термо-амперометрична защита и могат да бъдат свързани директно към мрежата. Забележка: ако двигателят се претовари, спира автоматично. След като се охлади, се рестартира автоматично без да е нужна никаква ръчна намеса.

Филтърът е проектиран така, че да може да се регулира свободното преминаване от 30 mm до 5 mm, в случай на употреба с чиста вода е достатъчно само да го завъртите и да го свалите надолу.

9. ПРЕДПАЗНИ МЕРКИ

ОПАСНОСТ ОТ ЗАМРЪЗВАНЕ: когато помпата остане неактивна при температура под 0°C, е необходимо да се уверите, че няма остатъци от вода, които замръзват, могат да предизвикат пукнатини в пластмасовите части.

Ако помпата е била използвана с вещества, които се утаяват или с хлорирана вода, изплакнете след употреба със силна струя вода, за да не се допусне образуване на утайки или отлагания, които могат да влошат характеристиките на помпата.

10. ПОДДРЪЖКА И ПОЧИСТВАНЕ

При нормално функциониране електрическата помпа не изисква никакъв вид поддръжка. Във всеки случай всички операции по ремонт и поддръжка трябва да се извършват само след като сте изключили помпата от захранващата мрежа. Когато рестартирате помпата, винаги проверявайте дали е монтиран всмукателният филтър, за да не се създаде опасност или възможност за случаен контакт с движещите се части.

БЪЛГАРСКИ

10.1 Почистване на аспирационната решетка

(Фиг.6)

- Изключете електрическото захранване на помпата.
- Източете помпата.
- Развийте фиксиращите винтове на филтъра (b).
- Отстранете аспирационната решетката (c).
- Почистете и монтирайте отново аспирационната решетка.

10.2 Почистване на ротора

(Фиг.7)

- Изключете електрическото захранване на помпата.
- Източете помпата.
- Развийте фиксиращите винтове на филтъра (b).
- Отстранете аспирационната решетката (c).
- Измийте помпата с чиста вода, за да отстраните евентуални замърсявания между двигателя и кожуха на помпата (d).
- Почистете ротора (d).
- Проверете дали роторът може да се върти свободно.
- Сглобете частите в обратен ред на демонтирането.

11. ОТКРИВАНЕ НА ПОВРЕДИ



Преди да започнете да търсите повреди, е необходимо да прекъснете електрическото свързване на помпата (извадете щепсела от контакта). Ако захранващият кабел или която и да е част на помпата е повредена, операцията по ремонта или смяната трябва да се извършва от Производителя или от неговия отдел за техническо обслужване, или от лице с еквивалентна квалификация, за да се предотврати всеки риск.

НЕИЗПРАВНОСТИ	ПРОВЕРКИ (вероятни причини)	ОТСТРАНЯВАНЕ
1 Двигателят не се стартира и не издава шумове.	A. Проверете дали двигателят е под напрежение. B. Проверете предпазителите. C. Прекъсвачът не се активира от поплавъка.	A. Проверете дали щепселът е включен правилно. B. Ако са изгорели, сменете ги. C. - Проверете дали поплавъкът се движи свободно. Поставете го нагоре. - Увеличете дълбочината на ямата.
2 Помпата не черпи вода с нужния дебит.	A. Аспирационната решетка или тръбите са запушени. B. Роторът е износен или запушен. C. Нужният напор е по-голям от характеристиките на помпата. D. Наличие на въздух.	A. Отстранете пречките или опънете тръбата, ако е усукана. B. Сменете ротора или отстранете пречката. C. Сменете я с помпа с по-голям напор. D. Изчакайте най-малко 1 минута, за да се отстранят.
3 Помпата не спира.	A. Прекъсвачът не се деактивира от поплавъка.	A. Проверете дали поплавъкът се движи свободно.
4 Дебитът не е достатъчен.	A. Проверете дали аспирационната решетка не е частично запушена. B. Проверете дали ротора или напорната тръба не са частично запушени или с отлагания по тях. C. Проверете дали невъзвратният клапан (ако е предвиден) не е частично запушен.	A. Отстранете евентуални запушвания. B. Отстранете евентуални запушвания. C. Почистете внимателно невъзвратния клапан.
5 След кратко функциониране помпата спира.	A. Устройството за термо-амперометрична защита спира помпата.	A. Проверете дали течността, която се изпомпва, не е прекалено гъста, защото това би довело до прегряване на двигателя. B. Проверете дали температурата на водата не е прекалено висока. C. Проверете, че няма чуждо тяло, което блокира ротора.

12. ГАРАНЦИЯ



Всяка промяна, за която нямате предварително разрешение, освобождава производителя от всякакъв вид отговорност. Всички резервни части, използвани при ремонтите, трябва да бъдат оригинални и всички принадлежности трябва да бъдат разрешени от производителя, за да може да се гарантира максималната безопасност на машините и на съоръженията, на които те могат да се монтират.

Този продукт има законова гаранция (в Европейската общност 24 месеца, считано от датата на покупката) за всички дефекти, дължащи се на фабрични дефекти или в използваните материали.

По преценка гаранционният продукт може да бъде или заменен с такъв в идеално работно състояние, или поправен безплатно, когато са спазени следните условия:

- продуктът е използван правилно и в съответствие с инструкциите и не е правен никакъв опит за ремонт от страна на купувача или на трети страни.
- продуктът е предаден на мястото, от където е закупен, заедно с приложен документ, удостоверяващ покупката (фактура или фискален бон) и с кратко описание на установения проблем.

Роторът и частите, подлежащи на износването, не са част от гаранцията. Интервенциите по време на гаранцията не удължават по никакъв начин първоначалния период.

OBSAH

1. APLIKACE	25
2. ČERPATELNÉ KAPALINY	25
3. TECHNICKÉ PARAMETRY A OMEZENÍ POUŽITÍ	25
4. SPRÁVA	26
4.1 Skladování	26
4.2 Přeprava	26
4.3 Hmotnost a rozměry	26
5. VAROVÁNÍ	26
6. INSTALACE	26
7. ELEKTRICKÉ ZAPOJENÍ	27
8. SPUŠTĚNÍ	27
9. OPATŘENÍ	27
10. ÚDRŽBA A ČIŠTĚNÍ	27
10.1 Čištění sací mřížky	28
10.2 Čištění oběžného kola	28
11. VYHLEDÁVÁNÍ PORUCH	28
12. ZÁRUKA	28

VAROVÁNÍ



Před zahájením instalace si pozorně přečtěte kompletní dokumentaci.



Před každým zásahem vytáhněte zástrčku ze zásuvky elektrické sítě. Jednoznačně se vyhněte chodu čerpadla nasucho: čerpadlo je třeba aktivovat výhradně v případě, že je ponořeno do vody. Po vyčerpání vody se čerpadlo musí ihned vypnout vytažením zástrčky ze zásuvky elektrické sítě.

1. APLIKACE

Ponorné čerpadlo s plovákovým spínačem je určeno k čerpání čisté, užitkové až kalové vody, s obsahem měkkých nečistot do velikosti 38 mm. Je určeno k přečerpávání, vyčerpávání a napájení zavlažovacích kanálů menších zavlažovaných ploch (nikoli postřikování).

Čerpadla pro použití v domácnosti s manuální nebo automatickou činností, pro odvodnění zatopených sklepů a garáží, pro čerpání drenážních studní, čerpání sběrných šachet pro zachytávání dešťové vody nebo průsaků pocházejících z okapů apod.

Díky kompaktnímu tvaru, s nímž se snadno manipuluje, nacházejí také speciální uplatnění jako přenosná čerpadla pro nouzové případy, jako je odběr vody z nádrží nebo řek, vyprazdňování bazénů a fontán, výkopů nebo podchodů. Jsou vhodné také pro zahradničení a kutilství jako takové.



Tato čerpadla nemohou být používána v bazénech, rybnících, vodních nádržích s přítomností osob ani pro čerpání uhlovodíků (benzín, nafta, topné oleje, rozpouštědla apod.) ve smyslu protiúrazových předpisů platných pro danou oblast. Nejsou navrženy pro nepřetržité použití, ale pouze pro nouzové použití na omezené období. Před jejich uskladněním se doporučuje je vyčistit. Viz kapitola „Údržba a Čištění“.

2. ČERPATELNÉ KAPALINY

Čerstvá voda	•
Dešťová voda	•
Užitkové odpadní vody	•
Splaškové vody	•
Neupravovaná voda s pevnými tělesy s dlouhými vlákny	○
Voda z bazénu nebo fontány	•
Voda z řeky nebo jezera	•
Max. rozměry částic [mm]	Ø 38

Tabulka 1

- Vhodné
- Nevhodné

Čerpadlo je vodotěsné a musí být ponořeno do kapaliny s max. hloubkou 7 m. Viz Tabulka 3.

3. TECHNICKÉ PARAMETRY A OMEZENÍ POUŽITÍ

- Napájecí napětí: 220-240V, viz štítek s elektrickými parametry
- Pomalé pojistky na ochranu elektrického přívodu (verze 220-240V): orientační hodnoty (v ampérech)
- Skladovací teplota: -10 ÷ +40 °C

Pojistky na ochranu elektrického přívodu 220-240V - 50 Hz
3

Tabulka 2

	Model	Čerpání znečištěné vody P1=1000
Elektrické parametry	P1 Jmenovitý příkon [W]	1000
	Síťové napětí [V]	220-240 AC
	Síťová frekvence [Hz]	50
	Proud [A]	4.2
	Kondenzátor [µF]	12.5
	Kondenzátor [Vc]	450
Vodní parametry	Max. průtok [l/min]	320
	Výtlačná výška [m]	11
	Dynamický tlak [bar]	1.1
	Max. hloubka ponoru [m]	7
	Min. výška pro aut. spuštění [mm]	50
	Zbytková výška vodního sloupce [mm]	50
Provozní rozsah	Délka napájecího kabelu [m]	10
	Typ kabelu	H07 RNF
	Třída ochrany motoru	IP X8
	Třída izolace	F
	Teplotní rozsah kapaliny [°C] podle EN 60335-2-41 pro domácí použití	0 °C / +35 °C
	Max. rozměry částic [mm]	Ø 38
	Max. teplota prostředí [°C]	+40 °C
Ostatní	Připojovací rozměr	6/4" (vnitřní)
	Čistá/hrubá hmotnost přibl. [kg]	8.2 / 10.1

Tabulka 3



Čerpadlo, které se neopírá o podstavec, nemůže snášet hmotnost potrubí, které musí být drženo jinak.

4. SPRÁVA

4.1 Skladování

Všechna čerpadla musí být skladována v krytém a suchém prostoru, dle možnosti s konstantní vlhkostí vzduchu, bez vibrací a prachu. Jsou dodávána ve svém původním obalu, ve kterém musí zůstat až do okamžiku instalace.

4.2 Přeprava

Nevystavujte výrobky zbytečným nárazům a kolizím.

4.3 Hmotnost a rozměry

Na samolepicím štítku, který je nalepený na obalu, je uvedena celková hmotnost elektročerpadla a jeho rozměry.

5. VAROVÁNÍ



Čerpadla nesmí být nikdy přepravována, zvedána nebo uváděna do chodu tak, že jsou zavěšena za napájecí kabel; pro tento účel používejte příslušnou rukojeť.

- Čerpadlo nesmí být nikdy uvedeno do chodu nasucho.
- Zajistěte, aby se žádná osoba nedostala do kontaktu s vodou, ve které pracuje čerpadlo.
- Těsnicí zařízení obsahuje nejedovaté mazivo, které však může při úniku do vody z čerpadla narušit parametry vody, pokud se jedná o čistou vodu.
- Motor čerpadla je vybaven tepelnou pojistkou. V případě, že stoupající zátěží motoru dojde k jeho přehřátí, tak tato pojistka vypne přívod napájecího napětí. Po vychladnutí motoru, což může trvat cca 15 až 20 minut, pojistka opět čerpadlo zapne. Vždy, když dojde k aktivaci tepelné pojistky, je nutné zjistit a odstranit příčinu přehřátí motoru (viz část Problémy a jejich řešení).

6. INSTALACE

Zašroubujte koleno s hadicovou spojkou, které se nachází v obalu. U verze pro splaškové vody je k dispozici pouze přípojka pro potrubí s rozměrem 6/4"; kdybyste chtěli použít potrubí s větším průměrem, vyměňte kolenovou spojku. Dále použijte stahovací pásku pro připevnění hadice k přípojce.

- Doporučuje se používat potrubí s minimálním vnitřním průměrem 38 mm, aby se zabránilo poklesu výkonosti čerpadla a možnému ucpání.
- V případě, že by se na dně šachty, o které se čerpadlo bude opírat, nacházely značné nečistoty, je vhodné zajistit zvýšený podstavec, aby se zabránilo ucpání sací mřížky (obr. 1).
- Ponořte čerpadlo úplně do vody.
- Zajistěte, aby měla šachta pro uložení čerpadla níže uvedené minimální rozměry:
Min. základní rozměry 400 x 400 mm / Min. výška 400 mm
- Věnujte pozornost plováku, který musí mít volnost pohybu, a proto ponechte minimální vzdálenost 5 cm od stěny šachty.

- Rozměry šachty musí být vždy navrženy v závislosti na množství přichozí vody a na průtoku čerpadla, aby motor nebyl vystavován nadměrnému počtu spuštění/hodinu; důsledně se doporučuje nepřekročit 20 spuštění/hodinu.



Čerpadlo musí být nainstalováno ve svislé poloze!

7. ELEKTRICKÉ ZAPOJENÍ



Délka napájecího kabelu, který se nachází na čerpadle, omezuje maximální ponornou hloubku při použití samotného čerpadla. Dodržujte údaje uvedené na štítku s technickými parametry a v tabulce 3 tohoto návodu.

8. SPUŠTĚNÍ

Existují dva provozní režimy:

• MANUÁLNÍ (A)

Elektročerpadla mohou být použita v manuálním režimu, i když mají plovák - Obr. 2

- 1) Připevněte plovákový spínač tak, aby zůstal ve svislé poloze nad čerpadlem (s kabelem dolů) (a). Dokud plovákový spínač zůstane zvednutý, čerpadlo zůstane v činnosti nezávisle na hladině vody.
- 2) Zasuňte zástrčku napájecího kabelu do zásuvky elektrické sítě s napětím 220-240V.
- 3) Čerpadlo začne pracovat; ujistěte se, že je ponořeno do kapaliny určené k sání.

Věnujte pozornost tomuto režimu, protože čerpadlo se nevypne automaticky po dosažení minimální hladiny, ale musí jej vypnout manuálně uživatel nebo musí vytáhnout zástrčku napájecího kabelu ze zásuvky elektrické sítě nebo snížit plovák (automatická činnost).

Nejnižší hladiny sání bude dosaženo pouze během činnosti v manuálním režimu, protože ve stavu automatické činnosti plovákový spínač zastaví čerpadlo před dosažením uvedené hladiny.

• AUTOMATICKÝ (B)

Modely vybavené plovákovým spínačem jsou uváděny do činnosti automaticky, když hladina vody stoupne, a jsou vypínány po dosažení určené minimální hladiny (obr. 3).

- 1) Ponechte plováku možnost volného pohybu.
- 2) Zasuňte zástrčku napájecího kabelu do zásuvky elektrické sítě s napětím 220-240V.
- 3) Když plovák dosáhne hladiny ZAP., dojde ke spuštění čerpadla, které zůstane v činnosti až do dosažení hladiny VYP.

Nastavení výšky spuštění/zastavení:

(Pro seznámení s minimální výškou zapnutí a vypnutí si přečtěte kapitolu Technické parametry.)

Délka kabelu musí na jedné straně umožnit plovákovému spínači volný pohyb a na druhé musí zabránit, aby dosedl na dno. Část kabelu mezi plovákovým spínačem a prohloubením kabelové příchytky nesmí měřit méně než 10 cm. Čím kratší je část kabelu mezi plovákovým spínačem a prohloubením kabelové příchytky, tím menší bude výška spuštění a tím větší bude výška zastavení. Je možné změnit místo připevnění, například na spodní klipse, a při stejné délce bude hladina zastavení i hladina spuštění nižší (obr. 4). Čerpadlo je dodáváno se stahovací páskou (obr. 5), která připevňuje kabel plováku a zabraňuje jeho posuvu v klipse. Kdybyste se rozhodli prodloužit nebo zkrátit volný kabel plováku, přemístěte stahovací pásku o odpovídající úsek, a v případě, že by to nebylo možné, vyměňte ji. Jednofázové motory jsou vybaveny vestavěnou tepelně-proudovou ochranou a mohou být připojeny přímo do sítě. POZN.: v případě přetížení motoru dojde k jeho automatickému zastavení. Po vychlazení bude automaticky uveden do chodu, aniž by byl potřebný manuální zásah.

Filter byl navržen tak, aby bylo možné regulovat volný průchod od 30 mm až do 5 mm, a v případě čerpání užitkové vody jej stačí jednoduše pootočit a spustit dolů.

9. OPATŘENÍ

NEBEZPEČÍ ZAMRZNUTÍ: Když čerpadlo zůstane vypnuto při teplotě nižší než 0 °C, je třeba se ujistit, že se v něm nenacházejí zbytky vody, které by při zamrznutí mohly způsobit praskliny v plastových součástech.

Když bylo čerpadlo použito s látkami, které mají tendenci vytvářet nánosy, nebo s chlorovanou vodou, po použití jej opláchněte silným proudem vody tak, aby se zabránilo vytváření nánosů nebo inkrustací, které by měly tendenci snižovat parametry čerpadla.

10. ÚDRŽBA A ČIŠTĚNÍ

Elektročerpadlo nevyžaduje během běžné činnosti žádný druh údržby. V každém případě je třeba úkony opravy a údržby provádět výhradně po odpojení čerpadla od napájecí sítě. Při opětovném uvedení čerpadla do chodu se vždy ujistěte, že je namontován sací filtr, aby neohrozilo nebezpečí nebo možnost náhodného styku s pohyblivými se součástmi.

ČESKY

10.1 Čištění sací mřížky (Obr. 6)

- Vypněte elektrické napájení čerpadla.
- Proveďte odvodnění čerpadla.
- Odšroubujte upevňovací šrouby na filtru (b).
- Sejměte sací mřížku (c).
- Vyčistěte a namontujte zpět sací mřížku.

10.2 Čištění oběžného kola (Obr. 7)

- Vypněte elektrické napájení čerpadla.
- Proveďte odvodnění čerpadla.
- Odšroubujte upevňovací šrouby na filtru (b).
- Sejměte sací mřížku (c).
- Opláchněte čerpadlo čistou vodou, abyste odstranili možné nečistoty mezi motorem a pláštěm čerpadla (d).
- Vyčistěte oběžné kolo (d).
- Zkontrolujte, zda se oběžné kolo otáčí volně.
- Proveďte montáž jednotlivých součástí dle postupu pro demontáž, ale v opačném pořadí.

11. VYHLEDÁVÁNÍ PORUCH



Před zahájením vyhledávání závad musíte odpojit čerpadlo od přívodu elektrického proudu (vytáhněte zástrčku ze zásuvky). Pokud je napájecí kabel nebo kterákoliv elektrická součást čerpadla poškozena, oprava nebo výměna musí být provedena výrobcem nebo jeho technickým servisem nebo osobou s odpovídající kvalifikací, zamezíte tak jakémukoliv nebezpečí.

PROBLÉMY	KONTROLY (možné příčiny)	ŘEŠENÍ
1 Nedochází k uvedení motoru do chodu a motor ani nevydává žádné zvuky.	A. Zkontrolujte, zda je motor pod napětím. B. Zkontrolujte ochranné pojistky. C. Nedochází k aktivaci spínače plovákem.	A. Zkontrolujte, zda je zástrčka správně zasunuta do zásuvky elektrické sítě. B. Jsou-li vypálené, nahradte je novými. C. - Zkontrolujte, zda se plovák může volně pohybovat. Umístěte jej směrem nahoru. - Zvyšte hloubku šachty.
2 Čerpadlo nevytváří průtok.	A. Je ucpaná sací mřížka nebo potrubí. B. Oběžné kolo je opotřebené nebo ucpané. C. Požadovaná výtlačná výška je vyšší než hodnota příslušného parametru čerpadla. D. Přítomnost vzduchu.	A. Odstraňte ucpaní nebo narovnejte pokroucené hadice. B. Vyměňte oběžné kolo nebo odstraňte překážku, která brání jeho volnému pohybu. C. Vyměňte jej za jiné s vyšší výtlačnou výškou. D. Vyčkejte nejméně 1 minutu, dokud nedojde k jejímu odstranění.
3 Nedochází k zastavení čerpadla.	A. Nedochází k rozepnutí spínače plovákem.	A. Zkontrolujte, zda se plovák může volně pohybovat.
4 Průtok je nedostatečný.	A. Zkontrolujte, zda sací mřížka není částečně ucpaná. B. Zkontrolujte, zda oběžné kolo nebo přítoková hadice nejsou částečně ucpané nebo zda se na nich nevytvořily inkrustace. C. Zkontrolujte, zda zpětný ventil (je-li součástí) není částečně ucpaný.	A. Odstraňte případné překážky. B. Odstraňte případné překážky. C. Důkladně vyčistěte zpětný ventil.
5 Dochází k zastavení čerpadla po krátké době činnosti.	A. Ochranné tepelně-proudové zařízení zastaví čerpadlo.	A. Zkontrolujte, zda kapalina určena k čerpání není příliš hustá, protože by způsobovala přehřátí motoru. B. Zkontrolujte, zda teplota vody není příliš vysoká. C. Ujistěte se, zda pevný předmět nezablokoval oběžné kolo.

12. ZÁRUKA



Jakákoli změna, která nebyla autorizována předem, zbavuje výrobce jakékoli odpovědnosti. Všechny náhradní díly použité při opravách musí být originální a veškeré příslušenství musí být autorizováno výrobcem, aby mohla být zajištěna maximální bezpečnost strojů a zařízení, na kterých tyto stroje mohou být namontovány.

Na tento výrobek se vztahuje právní záruka (v Evropském společenství po dobu 24 měsíců od data zakoupení) na všechny vady, které lze přisoudit výrobním vadám nebo použitému materiálu.

Výrobek v záruce bude možné na základě nenapadnutelného rozhodnutí buď vyměnit za jiný v dokonale funkčním stavu, nebo bezplatně opravit, pokud byly dodrženy níže uvedené podmínky:

- výrobek byl používán správným způsobem, v souladu s návodem, a nebyl proveden žádný pokus o opravu kupujícím nebo třetí stranou;
- výrobek byl doručen do prodejního místa, ve kterém byl zakoupen, s příložením dokladu, který potvrzuje zakoupení (faktura nebo účtenka), a se stručným popisem zaznamenaného problému.

Záruka se nevztahuje na součásti podléhající opotřebením, což je zejména oběžné kolo, ucpávky a těsnění.

INDHOLDSFORTEGNELSE

1. ANVENDELSESOMRÅDER	29
2. VÆSKER, DER KAN PUMPES	29
3. TEKNISKE SPECIFIKATIONER OG BRUGSBEGRÆNSNINGER	29
4. ADMINISTRATION	30
4.1 Opmagasinerings	30
4.2 Transport	30
4.3 Vægt og dimension	30
5. ADVARSLER	30
6. INSTALLATION	30
7. ELEKTRISK TILSLUTNING	31
8. IGANGSÆTNING	31
9. FORHOLDSREGLER	31
10. VEDLIGEHOLDELSE OG RENGØRING	31
10.1 Rengøring af sugegitteret	32
10.2 Rengøring af pumpehjulet	32
11. FEJLFINDING	32
12. GARANTI	32

ADVARSLER



Læs hele dokumentationen med omhu, inden installationen iværksættes.



Træk altid stikket ud før et indgreb. Undgå med omhu, at pumpen fungerer uden væske: Pumpen må udelukkende aktiveres, når den er dykket ned i vand. Hvis vandet opbruges skal pumpen straks slås fra, ved at koble el-stikket fra.

1. ANVENDELSESOMRÅDER

Kraftfulde dykpumper til dræn og opugning samt mindre vanding; de kan anvendes til snavset vand, også ved tilstedeværelse af flydende partikler med en maksimal mængdefylde på 38 mm. Pumper til husholdningsformål, med manuel eller automatisk funktion, til udtørring af kælderrum og underjordiske garager, som kan blive udsat for oversvømmelser, til pumpning af aflastningsbrønde, pumpning af brønde til opsamling af regnvand eller infiltrationer fra tagrender, etc.etc.

I kraft af den kompakte og let anvendelige udformning, kan pumpen også anvendes til særlige opgaver ved nødsituationer i hjemmet, så som pumpning af vand fra tanke eller vandløb, tømning af swimmingpool eller fontæner eller udgravninger eller underpassager. Også velegnet til have- eller hobbybrug generelt.



Disse pumper må ikke anvendes til swimmingpools, damme eller bassiner, hvis der er personer heri, eller til pumpning af kulbrinte (benzin, diesel, brændbar olie, opløsningsmidler, etc.) i henhold til de gældende sikkerhedsforskrifter for området. Disse er ikke fremstillet til en konstant brug, men til nødsituationer og i en begrænset periode. Det er en god regel, at foretage en grundig rengøring, inden de stilles til opbevaring. Jfr. kapitlet "Vedligeholdelse og rengøring".

2. VÆSKER, DER KAN PUMPES

Frisk vand	•
Regnvand	•
Rent spildevand	•
Snavset vand	•
Uforarbejdet, mættet vand med faste partikler og lange fibre	○
Fontænevand	•
Å- eller søvand	•
Max. partikelstørrelse [mm]	Ø 38

Tabel1

- Eget
- Uegnet

Pumpen er vandtæt og må højst sænkes ned i en dybde af 7m i væsken. Jfr. Tabel 3.

3. TEKNISKE SPECIFIKATIONER OG BRUGSBEGRÆNSNINGER

- Forsyningsspænding: 220-240V, jfr. el-dataskilt
- Forsinkede ledningssikringer (version 220-240V): Vejledende værdier (Ampere)
- Opbevaringstemperatur: -10°C +40°C

Ledningssikringer 220-240V 50Hz
3

Tabel2

	Model	Dræn grumset vand P1=1000
EI-data	P1 Nominal mærkeeffekt [W]	1000
	Netværksspænding [V]	220-240 AC
	Netværksfrekvens [Hz]	50
	Strøm [A]	4.2
	Kondensator [μ F]	12.5
	Kondensator [Vc]	450
Hydrauliske data	Max. kapacitet [l/min]	320
	Max. løftehøjde [m]	11
	Max. løftehøjde [bar]	1.1
	Max. nedsænkingsdybde [m]	7
	Starthøjde min. AUT [mm]	50
	Resterende vandhøjde [mm]	50
Brugsområde	Længde Forsyningskabel [m]	10
	Kabeltype	H07 RNF
	Motorens beskyttelsesgrad	IP X8
	Isoleringsklasse	F
	Væsketemperaturområde [°C] i henhold til EN 60335-2-41 til husholdningsbrug	0 °C / +35 °C
	Max. partikelstørrelse [mm]	Ø 38
	Max. omgivelsestemperatur [°C]	+40 °C
Vægt	DNM GAS	1" 1/2 F
	Netto-/bruttovægt ca. [kg]	8.2 / 10.1

Tabel 3.



Hvis pumpen ikke hviler på et underlag, er den ikke i stand til at understøtte rørledningernes vægt, som derfor skal understøttes på anden vis.

4. ADMINISTRATION

4.1 Opmagasinerings

Alle pumperne skal opmagasineres på et lukket, tørt sted, om muligt ved en konstant luftfugtighed, beskyttet mod vibrationer og støv. De leveres i deres originale emballage, og skal opbevares heri, indtil de installeres.

4.2 Transport

Undgå at udsætte produktet for unødvendige slag og stød.

4.3 Vægt og dimension

Elektropumpens totalvægt og dens dimensioner er anført på mærkatet på emballagen.

5. ADVARSLER



Pumperne må aldrig transporteres, løftes eller anvendes ved hjælp af forsyningskablet, benyt det dertil beregnede håndtag.

- Pumpen må aldrig fungere uden vand.
- Pumpen skal placeres således, at sugefodens åbninger ikke obstrueres, hverken helt eller delvist af snavs.
- Tætningsanordningen indeholder et ugiftigt smøremiddel, der dog vil kunne påvirke vandets egenskaber, i tilfælde af rent vand, hvis der skulle forekomme udslip fra pumpen.
- Pumpen er udstyret med et termisk motorværn. Motorværnet slukker automatisk for pumpen i tilfælde af eventuel overophedning af motoren. Afkølingen varer cirka 15-20 min. hvorefter pumpen tænder igen. Det er strengt nødvendigt at finde frem til og eliminere årsagen til motorværnets indgreb. Indhent oplysninger i Fejlfinding.

6. INSTALLATION

Skrue knæørret med gummiholderkobling fra emballagen sammen. På versionen til snavset vand, står kun koblingen til rørledninger på 1"1/2 til rådighed. Udskift knæørssamlestykket, hvis der skal anvendes en rørledning med større diameter. Anvend desuden et slangebinderbånd til at fastspænde rørledningen til koblingen.

- Det anbefales at anvende rørledninger med en intern diameter på mindst 38 mm, for at undgå reducerede pumpeydelse og risiko for tilstopninger.
- Hvis bunden af skakten, hvor pumpen skal anbringes, indeholder meget snavs, bør der forudses en forhøjet understøtning, med henblik på at undgå tilstopning af sugegitteret (Fig.1).
- Sænk pumpen helt ned i vandet.
- Sørg for at skaktens dimensioner har de følgende minimumsdimensioner:
Bunddimensioner min. (mm) 400x400 / Højde min. (mm) 400
- Sørg omhyggeligt for at flyderen kan bevæge sig og at der mindst er en afstand på 5 cm til skaktens væg.

- Skakten skal altid dimensioneres såvel i funktion af vandmængden i ankomst, som af pumpens kapacitet, således at motoren ikke udsættes for et overdrevent antal igangsætninger/timen, der ikke bør overstige 20 igangsætninger/timen.



Pumpen skal installeres i den lodrette position!

7. ELEKTRISK TILSLUTNING



Længden på pumpens forsyningskabel begrænser den maksimale dykdybde under brug af selve pumpen. Overhold anvisningerne, som er anført på mærkeskiltet og i tabel 3 i denne vejledning.

8. IGANGSÆTNING

Der findes to funktionstilstande:

- **MANUEL (A)**

På trods af at elektropumperne er udstyret med flyder, kan de anvendes i den manuelle tilstand Fig.2

- 1) Fastgør den flydende afbryder således, at den er anbragt lodret over pumpen (med kablet nedad) (a). Pumpen holdes i funktion, så længe den flydende afbryder er løftet, uafhængigt af vandstanden.
- 2) Sæt forsyningskablets stik i en stikkontakt med strøm på 220-240V.
- 3) Pumpen vil gå i gang, kontrollér at den er dykket ned i væsken, som skal opsuges.

Vær opmærksom på at pumpen ikke slukker automatisk. Den skal slukkes manuelt af bruger, når minimumsniveauet er nået, enten ved at stikket trækkes ud, eller ved at flyderen sænkes (automatisk funktion).

Det maksimale opsugningsniveau nås kun under den manuelle funktion, da den flydende afbryder vil stoppe pumpen, før dette niveau er nået, i forholdet automatisk funktion.

- **AUTOMATISK (B)**

Modellerne med flydende afbryder sætter automatisk i gang når vandstanden stiger, og slukker når det forudsete minimumsniveau er nået (Fig.3).

- 1) Sørg for at flyderen frit kan bevæge sig.
- 2) Sæt forsyningskablets stik i en stikkontakt med strøm på 220-240V.
- 3) Når flyderen når niveauet ON starter pumpen og fortsætter med at virke, indtil niveauet OFF er nået.

Regulering af igangsætnings-/stophøjde:

(Indhent oplysninger om minimumshøjden for igangsætning og slukning i kapitlet Tekniske specifikationer.)

Kablets længde skal på den ene side tillade, at den flydende afbryder frit kan bevæge sig, og på den anden forhindre, at denne hviler på bunden. Kabelafsnittet mellem den flydende afbryder og kabelbindingens fordybning, skal mindst måle 10 cm. Jo kortere kabelafsnittet mellem den flydende afbryder og kabelbindingens fordybning er, desto lavere/højere vil igangsætnings-/stophøjden være. Det er muligt at ændre fæstepunktet, for eksempel på den nedre clips, og ved samme længde vil man opnå et lavere stop- og startpunkt (Fig.4). Pumpen levers med et bånd (Fig. 5), som fastholder flyderens kabel og forhindrer, at kablet kan flytte sig i clipsen. Hvis man skulle beslutte sig for at forlænge eller afkorte flyderens frit bevægelige kabel, skal båndet flyttes tilsvarende, hvis det ikke er muligt at foretage en udskiftning heraf. Monofasemotorerne er udstyret med termo-amperometrisk indbygget sikring og kan sluttes direkte til ledningsnettet. NB: Motoren stopper automatisk ved en overbelastning. Den genstarter automatisk, når den er kølet af, uden behov for manuelle indgreb.

Filteret er designet på en måde, der giver mulighed for at regulere den frie passage fra 30 mm til 5 mm, og det er ganske enkelt nok at dreje og sænke det i tilfælde af brug til rent vand.

9. FORHOLDSREGLER

FARE FOR FROST: Hvis pumpen forbliver inaktiv ved en temperatur på under 0°C, er det nødvendigt, at forsikre sig om at der ikke er vand heri, da der kan opstå revner på plastikdelene, hvis vandet fryser til is.

Hvis pumpen er blevet anvendt til stoffer med en tendens til at aflejre sig, eller til klorvand, skal den skylles efter brug med en kraftig vandstråle, for at undgå at der danner sig aflejringer eller belægninger, som vil kunne reducere pumpens egenskaber.

10. VEDLIGEHOLDELSE OG RENGØRING

Under normal funktion har elektropumpen intet behov for vedligeholdelse. Ethvert reparations- eller vedligeholdelsesindgreb må under alle omstændigheder først udføres, efter at pumpen er blevet koblet fra strømforsyningen. Når pumpen genstartes, skal man altid forsikre sig om at sugefilteret er monteret, for ikke at skabe fare eller mulighed for utilsigtet berøring af de bevægelige dele.

10.1 Rengøring af sugegitteret**(Fig.6)**

- Frakobl pumpens strømforsyning.
- Dræn pumpen.
- Skru fæsteskrueerne på filteret **(b)** ud.
- Fjern sugefilteret **(c)**.
- Rens og monter sugefilteret igen.

10.2 Rengøring af pumpehjulet**(Fig.7)**

- Frakobl pumpens strømforsyning.
- Dræn pumpen.
- Skru fæsteskrueerne på filteret **(b)** ud.
- Fjern sugefilteret **(c)**.
- Vask pumpen med rent vand, for at eliminere eventuelle urenheder mellem motoren og pumpekappen **(d)**.
- Rengør pumpehjulet **(d)**.
- Kontrollér at pumpehjulet drejer frit.
- Monter delene i omvendt rækkefølge af demonteringen.

11. FEJLFINDING

Det er nødvendigt at afskære pumpens elektriske forbindelse (træk stikket ud af kontakten), før fejlfindingen påbegyndes. Hvis forsyningskablet eller en hvilken som helst af pumpens elektriske komponenter er beskadiget, skal reparationen eller udskiftningen foretages af Fabrikanten eller af dennes tekniske servicecenter, eller af en faglært person, med henblik på at forebygge enhver risiko.

ULEMPER		KONTROLLER (mulige årsager)	LØSNINGER
1	Motoren starter ikke og der høres ingen støj.	A. Kontrollér at motoren er under spænding. B. Kontrollér sikringerne. C. Afbryderen aktiveres ikke af flyderen.	A. Kontrollér at stikket er sat korrekt i. B. Udskift sprungne sikringer. C. -Kontrollér at flyderen bevæger sig frit. Anbring den oppe. -Forøg skaktens dybde.
2	Pumpen leverer ingen løftkraft.	A. Sugegitteret eller rørledningerne er tilstoppede. B. Pumpehjulet er nedslidt eller blokeret. C. Den påkrævede løftehøjde overstiger pumpens egenskaber. D. Lufttilstedeværelse.	A. Eliminér tilstopninger eller stræk rørledningen ud, hvis den er snoet. B. Udskift pumpehjulet eller eliminér blokeringen. C. Udskift pumpen med en med større løftehøjde. D. Vent mindst 1 minut, til luften elimineres.
3	Pumpen stopper ikke.	A. Afbryderen inaktiveres ikke af flyderen.	A. Kontrollér at flyderen kan bevæge sig frit.
4	Kapaciteten er utilstrækkelig.	A. Kontrollér at sugegitteret ikke er delvist tilstoppet. B. Kontrollér at pumpehjulet eller tilførselsslangen ikke er delvist tilstoppede eller belagte. C. Kontrollér at kontraventilen (om forudset) ikke er delvist tilstoppet.	A. Eliminér eventuelle tilstopninger. B. Eliminér eventuelle tilstopninger. C. Rens kontraventilen med omhu.
5	Pumpen stopper efter kort tid.	A. Den termo-amperometriske beskyttelsesanordning stopper pumpen.	A. Kontrollér at væsken, der skal pumpes, ikke er for tykflydende, da dette medfører overophedning af motoren. B. Kontrollér at vandtemperaturen ikke er for høj. C. Kontrollér at pumpehjulet ikke er blokeret af faste legemer.

12. GARANTI

Enhver modifikation, som ikke er autoriseret på forhånd af fabrikanten, fritager denne for ethvert ansvar. Alle de anvendte reservedele, i forbindelse med reparation, skal være originale, og alt anvendt udstyr skal være autoriseret af fabrikanten, med henblik på at kunne garantere den maksimale sikkerhed for maskinerne og de anlæg, som disse kan monteres på.

Dette produkt er dækket af en garanti (i 24 måneder fra købsdato i det Europæiske Fællesskab) hvad angår alle defekter, som kan henledes til fabrikationsfejl eller materialeskavanker.

Under garantien kan produktet, efter fabrikantens skøn, enten blive udskiftet med et i perfekt funktionsstand eller blive repareret gratis, hvis de følgende forhold er opfyldt:

- Produktet er blevet anvendt korrekt, i overensstemmelse med anvisningerne og uden at der, hverken af køber eller af tredjepart, er blevet foretaget reparationsforsøg herpå.
- Produktet er blevet overdraget til salgsstedet med vedlagt dokumentation, der attesterer købet (faktura eller kassebon) samt en kort beskrivelse af det foreliggende problem.

Pumpehjulet og andre sliddele indgår ikke i garantien. Indgreb under garanti ændrer i intet tilfælde garantiens oprindelige varighed.

ΠΕΡΙΕΧΟΜΕΝΑ

1. ΕΦΑΡΜΟΓΕΣ.....	33
2. αντλησιμα υγρα	33
3. ΤΕΧΝΙΚΑ ΧΑΡΑΚΤΗΡΙΣΤΙΚΑ ΚΑΙ ΠΕΡΙΟΡΙΣΜΟΙ ΧΡΗΣΗΣ	33
4. ΔΙΑΧΕΙΡΙΣΗ.....	34
4.1 Αποθήκευση.....	34
4.2 Μεταφορά	34
4.3 Βάρος και διαστάσεις	34
5. ΠΡΟΕΙΔΟΠΟΙΗΣΕΙΣ	34
6. ΕΓΚΑΤΑΣΤΑΣΗ	34
7. ΗΛΕΚΤΡΙΚΗ ΣΥΝΔΕΣΜΟΛΟΓΙΑ.....	35
8. ΘΕΣΗ ΣΕ ΛΕΙΤΟΥΡΓΙΑ.....	35
9. ΠΡΟΛΗΠΤΙΚΑ ΜΕΤΡΑ	35
10. ΣΥΝΤΗΡΗΣΗ ΚΑΙ ΚΑΘΑΡΙΣΜΟΣ.....	36
10.1 Καθαρισμός της σχάρας αναρρόφησης	36
10.2 Καθαρισμός της φτερωτής.....	36
11. ΑΝΑΖΗΤΗΣΗ ΒΛΑΒΩΝ.....	36
12. ΕΓΓΥΗΣΗ	37

ΠΡΟΕΙΔΟΠΟΙΗΣΕΙΣ



Πριν προχωρήσετε στην εγκατάσταση διαβάστε με προσοχή όλα τα έγγραφα.



Πριν από κάθε επέμβαση να βγάξετε το φως από την πρίζα. Να αποφεύγετε αυστηρά την ξηρά λειτουργία της αντλίας: η αντλία πρέπει να ενεργοποιείται αποκλειστικά όταν είναι βυθισμένη στο νερό. Εάν εξαντληθεί, η αντλία πρέπει να απενεργοποιηθεί αμέσως βγάζοντας το φως από το ρεύμα.

1. ΕΦΑΡΜΟΓΕΣ

Ισχυρές υποβρύχιες αντλίες για την αποστράγγιση και την εκκένωση και την άρδευση μικρής έκτασης· μπορούν να χρησιμοποιηθούν με ακάθαρτα νερά ακόμη και με την παρουσία αιωρούμενων σωμάτων με μέγιστο όγκο έως 38 mm. Αντλίες για οικιακές χρήσεις, με χειροκίνητη ή αυτόματη λειτουργία, για αποστράγγιση υπογείων και γκαράζ που υπόκεινται σε πλημμύρες, για άντληση φρεατίων αποστράγγισης, άντληση φρεατίων συλλογής όμβριων υδάτων ή διεισδύσεων που προκαλούνται από υδρορροές, κλπ.

Χάρης στο εύχρηστο και συμπαγές σχήμα τους, μπορούν να χρησιμοποιηθούν επίσης ως φορητές αντλίες σε περιπτώσεις έκτακτης ανάγκης όπως άντληση νερού από πηγάδια ή ποτάμια, εκκένωση πισίνας και σιντριβανιών ή εσκαφών και υπογείων διαβάσεων. Ενδείκνυται επίσης για κητευτικές εργασίες και διάφορα χόμπι



Οι αντλίες αυτές δεν επιτρέπεται να χρησιμοποιηθούν σε πισίνες, έλη, ή δεξαμενές με παρουσία ατόμων, ή για την άντληση υδρογονανθράκων (βενζίνη, πετρέλαιο, καυσέλαια, διαλύτες, κλπ.), σύμφωνα με τις κείμενες διατάξεις πρόληψης ατυχημάτων. Δεν είναι κατασκευασμένες για συνεχή χρήση, αλλά για έκτακτη ανάγκη για περιορισμένη χρονική περίοδο. Πριν τις αποθηκεύσετε θα ήταν καλό να μερμνήσετε μία φάση για τον καθαρισμό τους. Βλέπε κεφάλαιο “Συντήρηση και Καθαρισμός”.

2. ΑΝΤΛΗΣΙΜΑ ΥΓΡΑ

Καθαρό νερό	•
Βρόχινο νερό	•
Ακάθαρτα νερά (λουτρά και κουζίνες):	•
Ακάθαρτα νερά	•
Ακατέργαστα ακάθαρτα νερά που περιέχουν στερεά σώματα με μακριές ίνες	○
Νερό σε σιντριβάνι	•
νΝερό από ποταμό ή λίμνη	•
Διάσταση των σωματιδίων max. [mm]	Ø 38

Πίνακας 1

- Κατάλληλο
- Ακατάλληλο

Η αντλία διατηρείται στεγανή και πρέπει να βυθίζεται στο υγρό σε βάθος το ανώτερο μέχρι 7 m. Βλέπε πίνακα 3.

3. ΤΕΧΝΙΚΑ ΧΑΡΑΚΤΗΡΙΣΤΙΚΑ ΚΑΙ ΠΕΡΙΟΡΙΣΜΟΙ ΧΡΗΣΗΣ

- **Τάση τροφοδοσίας: 220-240V** διαβάστε την πινακίδα με τα ηλεκτρικά χαρακτηριστικά
- **Ασφάλειες γραμμής με καθυστέρηση (μοντέλο 220-240V):** ενδεικτικές τιμές (Ampere)

Ασφάλειες γραμμής
220-240V 50Hz

3

Πίνακας 2

- Θερμοκρασία αποθήκευσης: -10°C +40°C

	Μοντέλο	Αποστράγγιση Ακάθαρτα νερά P1=1000
Ηλεκτρικά Στοιχεία	P1 Ονομαστική απορροφούμενη ισχύς [W]	1000
	Τάση δικτύου [V]	220-240 AC
	Συχνότητα δικτύου [Hz]	50
	Ρεύμα [A]	4.2
	Συμπυκνωτής [μF]	12.5
	Συμπυκνωτής [Vc]	450
Υδραυλικά Στοιχεία	Μέγιστη παροχή [l/min]	320
	Μανομετρικό ύψος max. [m]	11
	Μανομετρικό ύψος max. [bar]	1.1
	Μax. βάθος βύθισης [m]	7
	Ύψος εκκίνησης min. AUT [mm]	50
	Ύψος υπολειπόμενου νερού [mm]	50
Πεδίο χρήσης	Μήκος Καλωδίου τροφοδοσίας [m]	10
	Τύπος καλωδίου	H07 RNF
	Βαθμός προστασίας του κινητήρα	IP X8
	Κλάση μόνωσης	F
	Πεδίο θερμοκρασίας του υγρού [°C] σύμφωνα με το EN 60335-2-41 για οικιακή χρήση	0 °C / +35 °C
	Διάσταση των μορίων max. [mm]	Ø 38
	Μax. Θερμοκρασία περιβάλλοντος (° C)	+40 °C
	Βάρος	DNM (Διάμετρος Παροχής) ΑΕΡΙΟΥ Καθαρό/Μικτό Βάρος περίπου [kg]

Πίνακας 3



Η αντλία που δεν στηρίζεται σε μία βάση δεν μπορεί να σηκώσει το βάρος των σωληνώσεων που, στην περίπτωση αυτή, πρέπει να υποστηριχτούν διαφορετικά.

4. ΔΙΑΧΕΙΡΙΣΗ

4.1 Αποθήκευση

Όλες οι αντλίες πρέπει να αποθηκεύονται σε σκεπαστό στεγνό χώρο, αν είναι δυνατόν με σταθερή υγρασία του αέρα, χωρίς κραδασμούς και θορύβους. Προμηθεύονται στην αρχική συσκευασία τους, στην οποία πρέπει να παραμείνουν μέχρι τη στιγμή εγκατάστασης.

4.2 Μεταφορά

Φροντίστε να μην κτυπήσουν οι συσκευές.

4.3 Βάρος και διαστάσεις

Η αυτοκόλλητη πινακίδα που βρίσκεται επάνω στη συσκευασία αναφέρει την ένδειξη του συνολικού βάρους της ηλεκτροκίνητης αντλίας και των διαστάσεών της.

5. ΠΡΟΕΙΔΟΠΟΙΗΣΕΙΣ



Οι αντλίες δεν πρέπει ποτέ να μεταφέρονται, να ανυψώνονται ή να λειτουργούν αναρτημένες από το καλώδιο τροφοδοσίας, να χρησιμοποιείτε το ειδικό χερούλι.

- Η αντλία δεν πρέπει ποτέ να λειτουργεί χωρίς υγρό.
- Η αντλία πρέπει να τοποθετείται έτσι ώστε οι οπές του αναρροφητικού ποδιού να μην φράζονται, πλήρως ή εν μέρει από την ακαθαρσία.
- Το εξάρτημα στεγανότητας περιέχει ατοξικό λιπαντικό, το οποίο όμως σε περίπτωση διαρροής από την αντλία, μπορεί να αλλοιώσει τα χαρακτηριστικά του νερού, όταν πρόκειται για καθαρό νερό.
- Η αντλία διαθέτει θερμική προστασία κινητήρα. Σε περίπτωση ενδεχόμενης υπερθέρμανσης του κινητήρα, η προστασία κινητήρα σβήνει την αντλία αυτόματα. Ο χρόνος ψύξης είναι περίπου 15-20 λεπτά, μετά από τα οποία η αντλία ξανανάβει αυτόματα. Μετά την επέμβαση της προστασίας κινητήρα απαιτείται αυστηρά να αναζητήσετε την αιτία και να την εξαλείψετε. Συμβουλευτείτε την Αναζήτηση Βλαβών.

6. ΕΓΚΑΤΑΣΤΑΣΗ

Βιδώστε τη γωνία με το σύνδεσμο φορέα του λάστιχου που υπάρχει μέσα στη συσκευασία. Για τον τύπο για ακάθαρτα νερά είναι διαθέσιμος μόνο ο σύνδεσμος για σωληνώσεις με διαστάσεις 1"1/2, σε περίπτωση που θέλετε να

χρησιμοποιήσετε μία σωλήνωση με μεγαλύτερη διάμετρο, αντικαταστήστε το γωνιακό ρακόρ. Επίσης χρησιμοποιήστε ένα κολάρο σύσφιξης του σωλήνα για να στερεώσετε το σωλήνα στο σύνδεσμο.

- Συνιστάται η χρήση σωληνώσεων με ελάχιστη εσωτερική διάμετρο 38 mm για να αποφύγετε τη μείωση των επιδόσεων της αντλίας και τη δυνατότητα εμφράξεων.
- Σε περίπτωση που ο πυθμένας του φρεατίου, όπου θα πρέπει να ακουμπήσει η αντλία, έχει πολλές ακαθαρσίες, είναι σκόπιμο να προβλεφθεί ένα υπερυψωμένο στήριγμα προκειμένου να αποφευχθούν βουλώματα στη σχάρα αναρρόφησης (Εικ.1). Βυθίστε πλήρως την αντλία μέσα στο νερό.
- Φροντίστε το φρεάτιο στο οποίο θα τοποθετηθεί η αντλία να έχει ελάχιστες διαστάσεις σύμφωνα με τις ακόλουθες τιμές:
- **Διαστάσεις βάσης min. (mm) 400x400 / Ύψος min. (mm) 400**
- Προσέξτε ο πλωτήρας να είναι ελεύθερος να κινείται απρόσκοπτα, αφήστε τουλάχιστον 5 cm από το τοίχωμα του φρεατίου.
- Το φρεάτιο θα πρέπει να έχει πάντα διαστάσεις σε σχέση και με την ποσότητα εισερχόμενου νερού και την παροχή της αντλίας έτσι ώστε ο κινητήρας να μην υποβάλλεται σε υπερβολικές εκκινήσεις/ώρα. Συνιστάται αυστηρά να μην υπερβαίνετε τις 20 εκκινήσεις/ώρα.



Η αντλία πρέπει να εγκατασταθεί σε κατακόρυφη θέση!

7. ΗΛΕΚΤΡΙΚΗ ΣΥΝΔΕΣΜΟΛΟΓΙΑ



Το μήκος του καλωδίου τροφοδοσίας της αντλίας αντιστοιχεί στο μέγιστο επιτρεπτό βάθος εμβάπτισης. Ακολουθήστε τις ενδείξεις που αναφέρονται στην τεχνική πινακίδα και στον πίνακα 3 του παρόντος εγχειριδίου.

8. ΘΕΣΗ ΣΕ ΛΕΙΤΟΥΡΓΙΑ

Υπάρχουν δύο τρόποι λειτουργίας:

• ΧΕΙΡΟΚΙΝΗΤΟΣ (A)

Οι ηλεκτροκίνητες αντλίες παρόλο που έχουν τον πλωτήρα μπορούν να χρησιμοποιηθούν με χειροκίνητη λειτουργία Εικ.2

- 1) Στερεώστε τον πλωτηροδιακόπτη έτσι ώστε να παραμένει κάθετος επάνω στην αντλία (με το καλώδιο χαμηλά) (α). Όσο ο πλωτηροδιακόπτης παραμένει ανυψωμένος, η αντλία παραμένει σε λειτουργία ανεξάρτητα από τη στάθμη του νερού.
- 2) Εισάγετε το φως του καλωδίου τροφοδοσίας σε μία ηλεκτρική πρίζα 220-240V.
- 3) Η αντλία θα μπει σε λειτουργία, βεβαιωθείτε ότι είναι βυθισμένη στο υγρό που θα αναρροφήσει.

Προσέξτε επειδή η αντλία δεν θα σβήσει αυτόματα, όταν επιτευχθεί η ελάχιστη στάθμη θα πρέπει να τη σβήσει χειροκίνητα ο χρήστης, ή βγάζοντας το φως από την πρίζα ή χαμηλώνοντας τον πλωτήρα (αυτόματη λειτουργία).

Η μέγιστη στάθμη αναρρόφησης επιτυγχάνεται μόνο κατά τη διάρκεια της χειροκίνητης λειτουργίας καθώς στη συνθήκη αυτόματης λειτουργίας ο πλωτηροδιακόπτης σταματάει την αντλία πριν από την επίτευξη αυτής της στάθμης.

• ΑΥΤΟΜΑΤΟΣ (B)

Τα μοντέλα που είναι εξοπλισμένα με πλωτηροδιακόπτη τίθενται σε λειτουργία αυτόματα όταν η στάθμη του νερού ανέβει και θα σβήσουν με την επίτευξη της ελάχιστης προβλεπόμενης στάθμης (Εικ.3).

- 1) Αφήστε ελεύθερο τον πλωτήρα να κινηθεί.
- 2) Εισάγετε το φως του καλωδίου τροφοδοσίας σε μία ηλεκτρική πρίζα 220-240V.
- 3) Όταν ο πλωτήρας φθάσει τη στάθμη ON η αντλία θα ξεκινήσει και θα παραμείνει σε λειτουργία μέχρι να επιτευχθεί η στάθμη OFF.

Ρύθμιση του ύψους εκκίνησης/σταματήματος:

(Για να μάθετε το ελάχιστο ύψος σύνδεσης και αποσύνδεσης, συμβουλευτείτε το κεφάλαιο Τεχνικά στοιχεία.)

Το μήκος του καλωδίου πρέπει από τη μία πλευρά να επιτρέπει τον πλωτηροδιακόπτη να μπορεί να κινηθεί ελεύθερα και από την άλλη να αποφυγει το ακούμπημά του στον πυθμένα. Το τμήμα καλωδίου ανάμεσα στον πλωτηροδιακόπτη και την υποδοχή συγκράτησης καλωδίου δεν πρέπει να είναι λιγότερο από 10 cm. Όσο πιο κοντό είναι το τμήμα καλωδίου μεταξύ του πλωτηροδιακόπτη και της υποδοχής συγκράτησης καλωδίου, τόσο πιο χαμηλό θα είναι το ύψος εκκίνησης και τόσο πιο ψηλό στο ύψος σταματήματος. Μπορείτε να αλλάξετε σημείο στερέωσης, για παράδειγμα στο κάτω κλιπ, εφόσον το μήκος είναι το ίδιο, θα έχετε μία πιο χαμηλή στάθμη σταματήματος και εκκίνησης (Εικ.4). Η αντλία παρέχεται με ένα κολάρο (Εικ. 5) το οποίο στερεώνει το καλώδιο του πλωτήρα και παρεμποδίζει την ολίσθησή του στο κλιπ. Σε περίπτωση που θέλετε να επιμηκύνετε ή να κοντύνετε το ελεύθερο καλώδιο του πλωτήρα, μετακινήστε το κολάρο αντίστοιχα και εφόσον δεν είναι δυνατόν, αντικαταστήστε το. Οι μονοφασικοί κινητήρες διαθέτουν ενσωματωμένη θερμοαμπερομετρική προστασία και μπορούν να συνδεθούν απ' ευθείας στο δίκτυο. ΣΗΜΕΙΩΣΗ: εάν ο κινητήρας υπερφορτωθεί, σταματάει αυτόματα. Αφού κρυώσει ξεκινάει και πάλι αυτόματα χωρίς να χρειάζεται καμία χειροκίνητη επέμβαση. Το φίλτρο είναι σχεδιασμένο έτσι ώστε να μπορεί να ρυθμιστεί η απρόσκοπτη διέλευση σωματιδίων από 30 mm έως 5 mm, σε περίπτωση χρήσης της σε καθαρά νερά, αρκεί απλά να το γυρίσετε και να το χαμηλώσετε.

9. ΠΡΟΛΗΠΤΙΚΑ ΜΕΤΡΑ

ΚΙΝΔΥΝΟΣ ΠΑΓΩΜΑΤΟΣ: όταν η αντλία παραμένει σε ακινητοποίηση σε θερμοκρασία κάτω από 0°C, είναι απαραίτητο να βεβαιωθείτε ότι δεν υπάρχουν υπολείμματα νερού τα οποία, παγώνοντας, μπορούν να δημιουργήσουν ρωγμές στα πλαστικά μέρη.

Εάν η αντλία χρησιμοποιήθηκε με ουσίες που μπορούν να επικαθίσουν ή που περιέχουν χλωριωμένο νερό ξεβγάλετε την μετά από τη χρήση, με δυνατή ρίψη νερού έτσι ώστε να μην σχηματιστούν ιζήματα ή επικαθίσεις που θα μπορούσαν να μειώσουν τα χαρακτηριστικά της αντλίας.

10. ΣΥΝΤΗΡΗΣΗ ΚΑΙ ΚΑΘΑΡΙΣΜΟΣ

Κατά την κανονική λειτουργία, η ηλεκτροκίνητη αντλία δεν απαιτεί καμία συντήρηση. Σε κάθε περίπτωση όλες οι επεμβάσεις επισκευής και συντήρησης πρέπει να γίνονται μονάχα αφού αποσυνδέσετε την αντλία από το δίκτυο ηλεκτρικής παροχής. Όταν ξαναθέτετε σε λειτουργία την αντλία, να βεβαιώνετε πως είναι συναρμολογημένο το φίλτρο αναρρόφησης, ώστε να αποκλείσετε το ενδεχόμενο τυχαίας επαφής με τα κινητά μέρη.

10.1 Καθαρισμός της σχάρας αναρρόφησης

(Εικ.6)

- Αποσυνδέστε την αντλία από την ηλεκτρική τροφοδότηση.
- Αδειάστε το υγρό από την αντλία.
- Ξεβιδώστε τις βίδες στερέωσης στο φίλτρο (b).
- Αφαιρέστε τη σχάρα αναρρόφησης (c).
- Καθαρίστε και ξαναβάλτε στην θέση της τη σχάρα αναρρόφησης.

10.2 Καθαρισμός της φτερωτής

(Εικ.7)

- Αποσυνδέστε την αντλία από την ηλεκτρική τροφοδότηση.
- Αδειάστε το υγρό από την αντλία.
- Ξεβιδώστε τις βίδες στερέωσης στο φίλτρο (b).
- Αφαιρέστε τη σχάρα αναρρόφησης (c).
- Πλύνετε την αντλία με καθαρό νερό και αφαιρέστε τις τυχόν ακαθαρσίες που μπορεί να υπάρχουν ανάμεσα στον κινητήρα και το χιτώνιο της αντλίας. (d).
- Καθαρίστε την φτερωτή (d).
- Βεβαιωθείτε πως η φτερωτή μπορεί να περιστρέφεται απρόσκοπτα.
- Επανασυναρμολογήστε τα παραπάνω εξαρτήματα, ακολουθώντας αντίστροφα τη σειρά αποσυναρμολόγησης.

11. ΑΝΑΖΗΤΗΣΗ ΒΛΑΒΩΝ



Πριν αρχίσετε την αναζήτηση βλαβών είναι απαραίτητο να διακόψετε την ηλεκτρική σύνδεση της αντλίας (βγάλτε το φως από την πρίζα). Εάν το καλώδιο τροφοδοσίας ή η αντλία παρουσιάζει φθορά σε οποιοδήποτε ηλεκτρικό της μέρος, η επέμβαση επισκευής ή η αντικατάσταση πρέπει να γίνει από τον Κατασκευαστή ή από την υπηρεσία τεχνικής υποστήριξης του ή από άτομο με ισοδύναμη ιδιότητα έτσι ώστε να αποφευχθεί κάθε κίνδυνος.

ΑΝΩΜΑΛΙΕΣ		ΕΛΕΓΧΟΙ (πιθανές αιτίες)	ΔΙΟΡΘΩΤΙΚΕΣ ΕΠΕΜΒΑΣΕΙΣ
1	Ο κινητήρας δεν ξεκινάει και δεν κάνει θόρυβο.	A. Βεβαιωθείτε πως τροφοδοτείται με τάση ο κινητήρας. B. Ελέγξτε τις ασφάλειες. C. Ο διακόπτης δεν ενεργοποιείται από τον πλωτήρα.	A. Βεβαιωθείτε ότι το φως έχει συνδεθεί σωστά. B. Αντικαταστήστε τις ασφάλειες αν είναι καμένες. C. - Βεβαιωθείτε πως ο πλωτήρας κινείται απρόσκοπτα. Τοποθετήστε τον προς τα πάνω. - Αυξήστε το βάθος του φρεατίου.
2	Η αντλία δεν δίνει παροχή.	D. Φραγμένες σωληνώσεις ή σχάρα αναρρόφησης. E. Φθαρμένη ή φραγμένη φτερωτή. F. Το απαιτούμενο μανομετρικό είναι μεγαλύτερο από τα χαρακτηριστικά της αντλίας. G. Παρουσία αέρα.	A. Αφαιρέστε τα ξένα σώματα ή απλώστε τη σωληνώση εάν είναι μπερδεμένη. B. Αντικαταστήστε την φτερωτή ή αποφράξτε την. C. Αντικαταστήστε την με υψηλότερο μανομετρικό. D. Περιμένετε τουλάχιστον 1 λεπτό μέχρι να εκκενωθεί.
3	Η αντλία δεν σταματάει.	H. Ο διακόπτης δεν απενεργοποιείται από τον πλωτήρα.	A. Βεβαιωθείτε πως ο πλωτήρας κινείται απρόσκοπτα.
4	Ανεπαρκής Παροχή.	A. Βεβαιωθείτε πως η σχάρα αναρρόφησης δεν είναι μερικώς φραγμένη. B. Βεβαιωθείτε πως η φτερωτή ή οι σωληνώσεις δεν είναι μερικώς φραγμένες και δεν έχουν επικαθίσεις. C. Βεβαιωθείτε πως δεν είναι μερικώς φραγμένη η ανασταλτική βαλβίδα (εφόσον υπάρχει).	A. Αφαιρέστε τα τυχόν ξένα σώματα. B. Αφαιρέστε τα τυχόν ξένα σώματα. C. Καθαρίστε καλά την ανασταλτική βαλβίδα.
5	Η αντλία σταματάει αφού λειτουργήσει για λίγη ώρα.	A. Η διάταξη θερμοαμπερομετρικής προστασίας δεν σταματάει την αντλία.	A. Βεβαιωθείτε πως το προς άντληση υγρό δεν είναι πολύ πυκνό, γιατί θα προκαλέσει υπερθέρμανση του κινητήρα. B. Βεβαιωθείτε πως η θερμοκρασία του νερού δεν είναι πολύ υψηλή. C. Ελέγξτε ότι κανένα στερεό σώμα δεν μπλοκάρει την φτερωτή.

12. ΕΓΓΥΗΣΗ

Οποιαδήποτε μη συμφωνημένη τροποποίηση, απαλλάσσει τον Κατασκευαστικό Οίκο από κάθε ευθύνη. Όλα τα ανταλλακτικά που θα χρησιμοποιηθούν στις επισκευές πρέπει να είναι γνήσια. Επίσης όλα τα βοηθητικά εξαρτήματα πρέπει να είναι εγκεκριμένα από τον κατασκευαστικό οίκο, έτσι ώστε να εξασφαλίζεται η μέγιστη ασφάλεια των μηχανημάτων και των εγκαταστάσεων στις οποίες μπορεί να είναι εγκατεστημένα.

Το προϊόν αυτό καλύπτεται από νόμιμη εγγύηση (στην Ευρωπαϊκή Κοινότητα 24 μήνες από την ημερομηνία αγοράς) σε σχέση με όλα τα ελαττώματα που οφείλονται σε κατασκευαστικά ελαττώματα ή στο υλικό που χρησιμοποιήθηκε.

Το προϊόν υπό εγγύηση, κατά διακριτική κρίση, θα μπορεί να αντικατασταθεί με ένα άλλο το οποίο να είναι σε τέλεια κατάσταση λειτουργίας

ή να επισκευαστεί δωρεάν εφόσον τηρούνται οι παρακάτω συνθήκες:

- το προϊόν να έχει χρησιμοποιηθεί με σωστό τρόπο και σύμφωνα με τις οδηγίες και να μην έχει γίνει καμία προσπάθεια επιδιόρθωσής του από τον αγοραστή ή από τρίτους.
- Το προϊόν να έχει παραδοθεί στο κατάστημα πώλησης από το οποίο έχει αγοραστεί, συνοδευόμενο από το παραστατικό που βεβαιώνει την αγορά (τιμολόγιο ή φορολογική απόδειξη) και από μία σύντομη περιγραφή του προβλήματος που παρουσιάστηκε.

Η φτερωτή και τα μέρη που υπόκεινται σε φθορά, δεν καλύπτονται από την εγγύηση. Η καλυπτόμενη με την εγγύηση επέμβαση δεν επεκτείνεται σε καμία περίπτωση την αρχική περίοδο.

INDEKS

1. RAKENDUSED	38
2. PUMBATAVAD VEDELIKUD	38
3. TEHNILISED ANDMED JA KASUTUSPIIRANGUD	38
4. KASUTAMINE.....	39
4.1 Hoiuruum.....	39
4.2 Transport.....	39
4.3 Kaal ja mõõtmed	39
5. HOIATUSED.....	39
6. PAIGALDUS.....	39
7. ELEKTRIÜHENDUS.....	40
8. KÄIVITAMINE	40
9. ETTEVAATUSABINÕUD.....	40
10. HOOLDUS JA PUHASTAMINE.....	40
10.1 Sissepuhkeresti puhastamine	40
10.2 Tiiviku puhastamine.....	40
11. VEAOTSING.....	41
12. GARANTII	41

HOIATUSED



Enne paigaldamist lugege kõiki juhiseid.



Enne puutumist eemaldage pistik vooluvõrgust. Vältige täielikult kuiva töörežiimi: pump peab töötama ainult siis, kui see on vees. Kui vesi on otsas, tuleb pump kohe välja lülitada ning pistik vooluvõrgust eemaldada.

1. RAKENDUSED

Võimsad veealused pumbad drenaažiks, tühjendamiseks ja väikesteks niisutustöödeks; saab kasutada musta veega, isegi vees heljuvate kuni 38 mm suuruste tahkete jääkide olemasolul. Kodumajapidamistes kasutamiseks mõeldud käsitsi ja automaatse juhtimisega pumbad, mis on mõeldud vee alla jääma kipuvate keldrite ja garaazide tühjaks pumpamiseks, äravoolude pumpamiseks ning vihmavee kogumiskaevude või voolurennide filtrite tühjaks pumpamiseks jne.

Tänu oma kompaktsel ja mugavale kujule on nad kasutatavad ka kaasaskantavate pumpadena hädaolukordades vee reservuaarides või jõgedes ning basseinide ja purskkaevude, süvendite või tunnelite tühjendamiseks. Sobivad kasutamiseks ka aedades üldiselt.



Kehtivatele ohutuse eeskirjade alusel ei tohi pumpasid kasutada basseinides, tiikides ja kraanikaussides, kui inimesed on seal sees, või süsivesinike pumpamiseks (bensiin, diiselmootor, kütteõli, lahustid jne). Ei ole mõeldud pidevaks kasutuseks, vaid hädaolukordades piiratud ajaks. Enne hoiustamist on soovitatav seadet puhastada. Vt peatükki „Puhastamine ja hooldus“.

2. PUMBATAVAD VEDELIKUD

Magevesi	•
Vihmavesi	•
Heitvesi - puhas	•
Reovesi - must	•
Looduslik vesi, mis sisaldab tahkeid pikki kiudosakesi	○
Purskkaevuvesi	•
Jõe- või järvevesi	•
Osakeste maks. suurus [mm]	Ø 38

Tabel1

- Sobib
- Ei sobi

Pump on õhukindel ja peab olema vedelikuga kaetud maksimaalselt kuni 7 m sügavusel. Vt tabelit 3.

3. TEHNILISED ANDMED JA KASUTUSPIIRANGUD

- **Toitepinge: 220-240V**, vt elektriandmete plaati
- **Voolukaitsmed (220-240V versioon):** soovituslikud väärtused (amprites)
- **Säilitustemperatuur:** -10° C +40° C

Voolukaitsmed 220-240V
50 Hz
3

Tabel 2

EESTI

	Mudel	Reovesi - must äravool P1=1000
Elektriandmed	P1 nominaalne imemisvõimsus [W]	1000
	Võrgupinge [V]	220-240 AC
	Sagedus [Hz]	50
	Vool [A]	4.2
	Kondensaator [µF]	12.5
	Kondensaator [Vc]	450
Hüdraulilised andmed	Jõudlus maks. l/min	320
	Maks. veesammas [m]	11
	Maks. veesammas [bar]	1.1
	Maks. paigaldamise sügavus [m]	7
	Käivitamise kõrgus min AUT [mm]	50
Koguneva vee kõrgus (mm)	50	
Kasutusala	Pikkus. Toitejuhe [m]	10
	Juhtme tüüp	H07 RNF
	Mootori kaitse	IP X8
	Isolatsiooniklass	F
	Vedeliku temperatuurivahemik [° C] Vastavalt EN 60335-2-41 standardile koduseks kasutamiseks	0 °C / +35 °C
	Osakeste maks. suurus [mm]	Ø 38
	Maks. õhutemperatuur [° C]	+40 °C
Kaal	DNM GAS	1" 1/2 F
	Neto/bruto kaal ca [kg]	8.2 / 10.1

Tabel 3



Kui pump ei ulatu põhjani ja ei suuda torude raskust kanda, tuleb see teisiti toetada.

4. KASUTAMINE

4.1 Hoiuruum

Kõiki pumpi tuleb hoida siseruumides, kuivas ja võimaluse korral konstantse niiskuse juures, vibratsiooni- ja tolmuvalt. Tarnitakse originaalpakendis, kus pumbad peavad kuni paigaldamiseni olema.

4.2 Transport

Vältige toodete rappumist või põrkumist.

4.3 Kaal ja mõõtmed

Isekleepuv etikett pakendil näitab elektropumba kogukaalu ja selle suurust.

5. HOIATUSED



Pumpasid ei tohi kunagi transportida, tõsta või liigutada toitejuhtmest tõmmates. Kasutage alati pumba käepidet.

- Pumpa ei tohi kunagi kuival kasutada.
- Pump peab olema asetatud nii, et imialuses olevad augud ei ummistu osaliselt ega täielikult mustuse tõttu.
- Pumba sulguri tihend sisaldab mittetoksilist määrdeainet, mis võib muuta puhta vee omadusi pumba lekkimise korral.
- Seade on varustatud ülekuumenemiskatkestiga. Juhul, kui mootor üle kuumeneb, lülitab mootori kaitse pumba automaatselt välja. Maha jahtumise aeg on umbes 15-20 minutit. Pärast seda lülitub pump automaatselt uuesti sisse. Kui ülekuumenemiskaitse on aktiveeritud, on ülioluline selle põhjus välja selgitada ja see eemaldada. Lugege "Tõrkeotsingu" peatükki.

6. PAIGALDUS

Keerake 90-ühendus pakendis oleva voolikutihendi otsa. Reovee jaoks on meil ainult 1"1/2 suurused torud – kui teil on tarvis kasutada suurema diameetriga toru, vahetage põlvühendus välja. Kasutage ka voolikuklambrit, et toru ühendusele kinnitada.

- Soovitav on kasutada vähemalt 38 mm sisediameetriga toru, et vältida pumba jõudluse vähenemist ning ummistuste teket.
- Kui kaevu põhjas on olulisel määral ummistavat setet, asetage pump kõrgemale alusele, et pumba ava ummistumist vältida (joonis 1).
- Asetage pump täies ulatuses vette.
- Kaevu minimaalsed mõõtmed pumba kasutamiseks on järgmised:
aluse min mõõtmed (mm) 400x400 / min kõrgus (mm) 400
- Veenduge, et ujuk liigub vabalt ning on vähemalt 5 cm kaugusel kaevu servast.

- Kaev peab olema piisavalt suur, arvestades sissetuleva vee kogust ja pumba voolukiirust. Selleks, et pumba mootor liiga sagedasti ei käivituks, on rangelt soovitatav mitte ületada 20 käivituskorda tunnis.



Pump tuleb paigaldada vertikaalasendisse!

7. ELEKTRIÜHENDUS



Pumba voolujuhtme pikkus määrab pumba maksimaalse kasutussügavuse. Järgige infoplaadil ja selles käsiraamatus toodud juhendeid (tabel 2).

8. KÄIVITAMINE

Valikus on kaks töörežiimi:

• MANUAALNE (A)

Elektripumpasid saab kasutada manuaalrežiimis, kuigi neil on ujuklülitusseade (joonis 2).

- 1) Asetage ujuklüliti nõnda, et see jääks vertikaalselt pumbast kõrgemale (juhe suunatud allpoole) (a). Niikaua kuni ujuklülitusseade on üleval (tõstetud asendis), töötab pump veetasemest sõltumata.
- 2) Ühendage toitejuhe 220-240V seinakontaktiga.
- 3) Pumba tööle hakates veenduge, et see oleks üleni vedelikus, mida tuleb koguda.

Olge väga ettevaatlik, sest pump ei lülita end automaatselt minimaalse veetasemeni jõudes välja. Kasutaja peab pumba käsitsi välja lülitama, eemaldades pistiku elektrivoolust või lastes ujuklülitusseadet madalamale (automaatrežiim).

Maksimaalse tarbimise tase saavutatakse ainult manuaalrežiimis, sest automaatrežiimis lülitab ujuklüliti pumba enne välja, kui see tasemeni jõuab.

• AUTOMAATNE (B)

Mudelid, mis on varustatud ujuklülitusseadmega, käivituvad automaatselt, kui veetase tõuseb, ja lülitavad välja, kui vesi jõuab minimaalse tasemeni (joonis 3).

- 1) Jätke ujuk vabalt liikuma.
- 2) Ühendage toitejuhe 220-240V seinakontaktiga.
- 3) Kui ujuk langeb tasemeni ON, käivitub pump ja töötab, kuni ujuk jõuab tasemeni OFF.

Käivitamise/ väljalülitamise kõrguse reguleerimine

Automaatseks käivitamiseks ning väljalülitamiseks vajaliku vee kõrguse nägemiseks vaadake peatükki „Tehnilised andmed“.

Juhtme pikkus peab võimaldama ujuklülitusseadmel vabalt liikuda, kuid samas vältima selle põhja langemist. Ujuklülitusseadme ja kaabliklambri vaheline juhe peab olema vähemalt 10 cm. Mida lühem on ujuklülitusseadme ja kaabliklambri vaheline juhe, seda madalam on pumba käivituskõrgus ning kõrgem väljalülitamiskõrgus. Kaabliklambri asukohta on võimalik muuta: näiteks kui asetate selle ujuklülitusseadmele lähemale, saate madalama käivitamise/ väljalülitamise taseme (joonis 4). Pumbal on voolikuklambr (joonis 5), mis hoiab ujukjuhet ja väldib selle libisemist klambri. Juhul, kui otsustate ujuklülitusseadme juhet pikendada või lühendada, liigutage klambrit vastavas suunas. Ühefaasilised mootorid on varustatud sisseehitatud termilise ülekoormuse kaitsega ning on elektrivõrguga otse ühendatud. NB: kui mootor on üle koormatud, peatub see automaatselt. Kui see on jahtunud, taaskäivitub see automaatselt ilma manuaalse sekkumiseta.

Filter on ehitatud nii, et saate läbivooluava seadistada 30 mm kuni 5 mm läbimõõdule. Kui kasutate seadet puhta veega, siis lihtsalt keerake seda ja laske alla.

9. ETTEVAATUSABINÕUD

Külmumise oht: kui pump on mitteaktiivne temperatuuril alla 0° C, peab tagama, et selles ei oleks vee jääke, mis võivad paisudes plastosasid kahjustada.

Kui pumba on kasutatud vedelikuga, mis kipuvad sadestuma, või klooritud vees, tuleks seda peale kasutamist tugeva veejoa all loputada, vältimaks sademete tekkimist, mis võivad pumba efektiivsust vähendada.

10. HOOLDUS JA PUHASTAMINE

Tavakasutuses ei vaja pump hooldust. Igal juhul tuleb hooldust või remonti tegema siis, kui seade on vooluvõrgust välja lülitatud. Pumba taaskäivitamisel veenduge alati, et imifilter on monteeritud, et vältida ohtlikku olukorda või juhuslikku kokkupuudet liikuvate osadega.

10.1 Sissepuhkeresti puhastamine

(Joonis 6)

- Lülitage seade vooluvõrgust välja.
- Nõrutage pump.
- Keerake filtri kinnituskruid lahti (b).
- Eemaldage sissepuhkerest (c).
- Puhastage ja paigaldage sissepuhkerest.

10.2 Tiiviku puhastamine

(Joonis 7)

- Lülitage seade vooluvõrgust välja.
- Nõrutage pump.
- Keerake filtri kinnituskruid lahti (b).
- Eemaldage sissepuhkerest (c).
- Peske pump puhta veega, et eemaldada võimalikud ebapuhtused mootori ja pumba ümbrise vahel (d).
- Puhastage tiivik (d).
- Kontrollige, et tiivik saab vabalt pöörelda.
- Monteeri osad vastupidises järjekorras lahtimonteerimise järjekorrale.

11. VEAOTSING



Enne veaotsinguga alustamist peate pumba elektrivõrgust lahti ühendama (pistiku seinakontaktist välja tõmbama). Kui pumba toitejuhe või mis tahes muu elektriline osa on kahjustunud, peab riskide vältimiseks parandus- või vahetustöid tegema tootja või tootja tehnilise abi pakkuja või võrdse kvalifikatsiooniga isik.

PROBLEEMID	Kontrollid (võimalikud põhjused)	LAHENDUSED
1 Mootor ei käivitu ja ei teki müra.	A. Veenduge, et mootor on elektripinge all. B. Kontrollige sulvkaitsmed. C. Lülitid ei ole ujukist sisse lülitatud.	A. Kontrollige, et pistik on õigesti sisestatud. B. Kui sulvkaitsmed on läbi põlenud, tuleb need asendada. C. Kontrollige, et ujuk liigub vabalt. -Paigutage see ülespoole. -Suurendage kaevu sügavust.
2 Pump ei anna võimsust.	A. Sissepuhkerest või torud on ummistunud. B. Tiivik on kulunud või blokeeritud. C. Vajalik surve on kõrgem kui pumba omadused võimaldavad. D. Pumbas on õhk.	A. Eemaldage ummistus või kohendage juhett, kui see on keerdus. B. Asendage tiivik või eemaldage takistus. C. Asendage suurema võimsusega tiivikuga. D. Oodake vähemalt 3 minutit, kuniks õhk on välja läinud.
3 Pump ei lülitu välja.	A. Ujuk ei deaktiveeri sisse/väljalülitusnuppu.	A. Veenduge, et ujuk liigub vabalt.
4 Vool on ebapiisav.	A. Kontrollige, et õhuvõtuava võrk ei oleks osaliselt takistatud. B. Kontrollige, et tiiviku või tarne toru ei oleks osaliselt ummistunud või kulunud. C. Kontrollige, et ventiil (kui on paigaldatud) ei oleks osaliselt ummistunud.	A. Eemaldage kõik tõkked. B. Eemaldage kõik tõkked. C. Puhastage ventiil täielikult.
5 Pump seiskub pärast lühikest töötamist.	A. Termilise ülekoormuse kaitse peatab pumba.	A. Kontrollige, et pumbatav vedelik ei oleks liiga paks, kuna see põhjustab mootori ülekuumenemist. B. Veenduge, et vee temperatuur ei ole liiga kõrge. C. Kontrollige, et tahked osakesed ei blokeeriks tiivikut.

12. GARANTII



Mistahes eelnevalt heaks kiitmata muudatused seadmele vabastavad tootja vastutusest. Kõik remondis kasutatavad varuosad peavad olema originaalid ja kõik lisandid peavad olema tootja kinnitanud, et tagada maksimaalne turvalisus seadmetele ja süsteemide, kuhu seade on paigaldatud.

Tootel on õiguslik garantii (24 kuud alates ostukuupäevast Euroopa Ühenduse piires) defektide osas, mille on põhjustanud tootmine või kasutatud materjal.

Kehtiva garantiiga toode asendatakse töökorras oleva tootega või remonditakse tasuta, kui allolevad tingimused on täidetud:

- seadet on kasutatud õigesti ning vastavalt juhenditele, ilma kolmanda poole tehtud remondita;
- toote on tagastatud sellesse müügipunkti, kust see osteti, koos ostudokumentidega (arve või müügiviitung) ning tekkinud probleemi lühikirjeldusega.

Garantii ei hõlma tiivikut ja muid kuluvaid osi. Garantii ei pikenda esimest garantiiperioodi.

SISÄLTÖ

1. KÄYTTÖTAVAT	42
2. PUMPATTAVAT NESTEET	42
3. TEKNISET TIEDOT JA KÄYTTÖRAJOITUKSET	42
4. KÄSITTELY	43
4.1 Varastointi	43
4.2 Kuljetus	43
4.3 Paino ja mitat	43
5. VAROITUKSIA	43
6. ASENNUS	43
7. SÄHKÖLIITÄNTÄ	44
8. KÄYNNISTYS	44
9. VAROTOIMET	44
10. HUOLTO JA PUHDISTUS	44
10.1 Imuritulän puhdistus	45
10.2 Juoksupyörän puhdistus	45
11. VIANETSINTÄ	45
12. TAKUU	45

VAROITUKSIA



Lue kaikki ohjeet huolellisesti asennusta ennen



Irrota pistoke ennen toimenpiteitä. Vältä ehdottomasti kuivakäyttöä: pumpun saa käynnistää ainoastaan, kun se on upotettu veteen. Jos vesi loppuu, pumppu tulee kytkeä välittömästi pois irrottamalla pistoke pistorasiasta.

1. KÄYTTÖTAVAT

Kuivattamiseen, veden tyhjentämiseen ja pienimuotoiseen kasteluun tarkoitettuja uppopumppuja voidaan käyttää myös likaisen veden pumppaamiseen silloinkin, kun vesi sisältää korkeintaan 38 mm kokoisia kelluvia esineitä. Pumput tulvavesien pumppaamiseen pois kellarista tai autotalleista sekä salaojakaivojen, sadeveden tai kouruista valuvan veden kokoomakaivojen jne. pumppaamiseen automaattisesti tai manuaalisesti kotitalouskäytössä.

Kompaktin muotonsa ja helpon käsiteltävyytensä ansiosta niitä voidaan hätätilanteessa käyttää kannettavina pumppuina myös muihin tarkoituksiin, esim. vedenottoon säiliöistä tai vesistöistä tai uima-altaiden, suihkulähteiden, kaivantojen tai alikulkutunnelien tyhjennykseen. Soveltuvat myös puutarha- ja harrastuskäyttöön.



Aihekohtaisten voimassa olevien tapaturmantorjuntamääräysten mukaan näitä pumppuja ei tule käyttää uima-altaissa, lammissa tai piha-altaissa, joissa on ihmisiä. Niillä ei myöskään tule pumpata hiilivetyjä (benssiini, dieselöljy, polttoöljyt, liuottimet jne.). Niitä ei ole suunniteltu jatkuvaan käyttöön, vaan käyttöön hätätilanteissa rajoitetun ajan. Puhdista pumppu ennen sen asettamista varastoon. Katso Huolto ja puhdistus.

2. PUMPATTAVAT NESTEET

Puhdas vesi	•
Sadevesi	•
Kirkas jätevesi	•
Likainen vesi	•
Käsittelemätön pitkäkuituisia, kiinteitä hiukkasia sisältävä vesi	○
Lähdevesi	•
Joki- tai järvesi	•
Hiukkasten maks.koko [mm]	Ø 38

Taulukko 1

- Soveltuu
- Ei sovellu

Pumppu on vesitiivis. Se tulee upottaa nesteeseen maks. 7 metrin syvyyteen. Katso taulukko 3

3. TEKNISET TIEDOT JA KÄYTTÖRAJOITUKSET

- **Sähköjännite:** 220-240V, ks. arvokilpi
- **Viivesulakkeet (versio 220-240V):** viitteelliset arvot (A)
- **Varastointilämpötila:** -10 - +40 °C

Verkkosulakkeet 220-240V
50 Hz
3

Taulukko 2

	Malli	Likainen vesi P1=1000
Sähkö tiedot	P1 nimellistehonkulutus [W]	1000
	Verkköjännite [V]	220-240 AC
	Verkkotaajuus [Hz]	50
	Virta [A]	4.2
	Kondensaattori [μ F]	12.5
	Kondensaattori [Vc]	450
Hydrauliset arvot	Maks.virtausnopeus [L/min]	320
	Maks.painekorkeus [m]	11
	Maks.painekorkeus [bar]	1.1
	Maks.upotussyvyys [m]	7
	Min.käynnistyskorkeus AUT [mm]	50
	Veden jäämäkorkeus [mm]	50
Käyttöalue	Sähköjohdon pituus [m]	10
	Johdon tyyppi	H07 RNF
	Moottorin suoja-aste	IP X8
	Eristysluokka	F
	Nesteen lämpötila-alue [°C] kotitalouskäytössä standardin EN 60335-2-41 mukaan	0 °C / +35 °C
	Hiukkasten maks.koko [mm]	Ø 38
	Ympäröivä maks.lämpötila [°C]	+40 °C
Paino	DNM GAS	1" 1/2 F
	Likimäär. netto/bruttopaino [kg]	8.2 / 10.1

Taulukko 3



Pumppu, jota ei ole asennettu alustalle, ei kykene kannattamaan letkujen painoa. Tue letkut asianmukaisesti.

4. KÄSITTELY

4.1 Varastointi

Kaikkia pumppuja tulee säilyttää suojatussa ja kuivassa tilassa, jonka ilmankosteus on mahdollisimman tasainen ja jossa ei ole tärinää tai pölyä. Pumppu toimitetaan alkuperäisessä pakkauksessaan, jossa se tulee säilyttää asennukseen asti.

4.2 Kuljetus

Älä kohdista laitteeseen turhia iskuja tai törmäyksiä.

4.3 Paino ja mitat

Pakkaukseen kiinnitettyssä tarrassa ilmoitetaan sähköpumpun kokonaispaino ja mitat.

5. VAROITUKSIA



Älä koskaan kuljeta tai nosta pumppua sähköjohdosta tai käynnistä sitä sen roikkuessa sähköjohdon varassa. Käytä erityistä kahvaa.

- Pumppua ei saa koskaan käyttää kuivana.
- Pumppu tulee sijoittaa siten, että imujalan reiät eivät kokonaan tai osittain tukkeudu lian johdosta.
- Tiivistyslaitteen sisältämä myrkytön voiteluaine saattaa muuttaa puhtaan veden ominaisuuksia, jos pumppu vuotaa.
- Pumppu on varustettu moottorin lämpösuojauslaitteella. Mikäli moottori ylikuumenee, moottorin lämpösuojauslaitte pysäyttää pumpun automaattisesti. Jäähdytysaika on noin 15-20 minuuttia, minkä jälkeen pumppu käynnistyy uudelleen automaattisesti. Moottorin suojauslaitteen pysäytettyä pumpun, on ehdottomasti tarpeen etsiä syy tähän ja poistaa se. Tutustu lukuun Vikojen etsintä..

6. ASENNUS

Ruuvaa kulmaliitin pakkaukseen sisältyvään letkuliittimeen. Likaiselle vedelle tarkoitettussa versiossa on ainoastaan yksi liitin 1"1/2:n letkuille. Jos haluat käyttää halkaisijaltaan suurempaa letkua, vaihda kulmaliitin. Kiinnitä letku liittimeen letkunkiristimellä.

- Käytä letkuja, joiden sisähalkaisija on vähintään 38 mm estääksesi pumpun tehon laskun ja tukkeutumisen
- Jos pumpattavan kaivon pohjalla on runsaasti likaa, aseta pumppu tuen päälle, ettei imuritilä (kuva 1) mene tukkoon.
- Upota pumppu kokonaan veteen.
- Varmista, että pumppukaivon minimimitat vastaavat seuraavia arvoja:
Alustan min.mitat 400x400 (mm) / Min.korkeus 400 (mm)
- Varmista, että uimuri pääsee liikkumaan esteettömästi. Jätä vähintään 5 cm:n väli kaivon seinään.
- Kaivo tulee aina mitoittaa myös tulovesimäärän ja pumpun tehon mukaan, ettei moottorin käynnistysmäärä tunnissa ole liiallinen. Se ei saa ylittää 20 käynnistystä tunnissa.



Pumppu tulee asentaa pystyasentoon!

7. SÄHKÖLIITÄNTÄ



Pumpun maksimiopotussyvyys riippuu sähköjohdon pituudesta. Noudata arvokilven ja tämän käyttöoppaan taulukon 3 arvoja.

8. KÄYNNISTYS

Toimintatiloja on kaksi:

- **MANUAALINEN (A)**

Vaikka sähköpumppussa on uimuri, sitä voidaan käyttää myös manuaalisesti (kuva 2).

- 1) Kiinnitä uimurikytkin, niin että se jää pystyasentoon pumpun yläpuolelle (johto alaspäin) (a). Kun uimurikytkin on kohotetussa asennossa, pumppu pysyy käynnissä vedenkorkeudesta riippumatta.
- 2) Kytke pistoke 220-240V:n pistorasiaan.
- 3) Pumppu käynnistyy. Varmista, että se on upotettu pumpattavaan nesteeseen.

Ole tarkkaavainen, sillä pumppu ei sammu automaattisesti. Kun minimikorkeus on saavutettu, se tulee sammuttaa manuaalisesti joko irrottamalla pistoke tai laskemalla uimuri (automaattitoiminta).

Maksimi-imukorkeus saavutetaan ainoastaan manuaalisessa tilassa, sillä automaattitilassa uimurikytkin pysäyttää pumpun ennen kyseisen korkeuden saavuttamista.

- **AUTOMAATTINEN (B)**

Uimurikytkimellä varustetut mallit käynnistyvät automaattisesti, kun vedenkorkeus nousee. Ne sammuvat saavutettaessa asetettu minimikorkeus (kuva 3).

- 1) Varmista, että uimuri liikkuu esteettömästi.
- 2) Kytke pistoke 220-240V:n pistorasiaan.
- 3) Kun uimuri saavuttaa käynnistyskorkeuden, pumppu käynnistyy ja pysyy käynnissä pysäytyskorkeuden saavuttamiseen saakka.

Käynnistys/pysäytyskorkeuden säätö:

(Tarkista minimikäynnistys- ja pysäytyskorkeus luvusta Tekniset tiedot.)

Johdon pituuden tulee toisaalta mahdollistaa uimurikytkimen esteetön liikkuminen ja toisaalta estää sen asettuminen pohjaan. Uimurikytkimen ja johdon pysäytysuran välisen osuuden tulee olla vähintään 10 cm. Mitä lyhyempi uimurikytkimen ja johdon pysäytysuran välinen osuus on, sitä alhaisempi on käynnistyskorkeus ja sitä korkeampi pysäytyskorkeus. Kiinnityskohdaksi voidaan pituuden mukaisesti vaihtaa esim. alakiinnitin. Pysäytys- ja käynnistyskorkeus on alhaisempi (kuva 4). Pumpun ohessa toimitetaan johtoside (kuva 5), jolla estetään uimurin johdon liikkuminen kiinnittimessä. Jos uimurin vapaana olevaa johtoa halutaan pidentää tai lyhentää, siirrä side vastaavalle kohdalle, ellei sitä voida vaihtaa. Yksivaihemootorit on varustettu sisäänrakennetulla ylivirtasuojalla ja ne voidaan kytkeä suoraan sähköverkkoon. HUOM: jos moottori ylikuormittuu, se pysähtyy automaattisesti. Kun se on jäähtynyt, se käynnistyy automaattisesti uudelleen ilman käsin suoritettavia toimenpiteitä.

Suodatin on suunniteltu, niin että sen läpi kulkevaa virtausta voidaan säätää välillä 30 - 5 mm. Jos pumpattava vesi on kirkasta, suodatin voidaan kääntää ja laskea alas.

9. VAROTOIMET

JÄÄTYMISVAARA: jos pumppu jätetään käyttötouon ajaksi alle 0 °C:n lämpötilaan, varmista ettei siihen ole jäänyt vettä, joka jäätyessään aiheuttaa muoviosien halkeilua.

Jos pumppua on käytetty aineissa, jotka pyrkivät kerääntymään, tai klooria sisältävässä vedessä, huuhtelee se käytön jälkeen voimakkaalla vesisuihkulla. Siten estät pumpun ominaisuuksia heikentävien kerääntymien tai saostumien muodostumisen.

10. HUOLTO JA PUHDISTUS

Sähköpumppua ei tarvitse huoltaa, jos sitä käytetään normaalisti. Pumpun sähkö tulee joka tapauksessa katkaista aina ennen korjauksia ja huoltoja. Varmista aina käynnistäessäsi pumpun uudelleen, että imusuodatin on asennettu, jotta estät tahattoman kosketuksen liikkuviin osiin.

10.1 Imuritulän puhdistus**(kuva 6)**

- Katkaise pumpun sähkö.
- Anna pumpun tyhjentyä.
- Irrota suodattimen kiinnitysruuvit **(b)**.
- Poista imuritulä **(c)**.
- Puhdista imuritulä ja asenna se takaisin.

10.2 Juoksupyörän puhdistus**(Kuva 7)**

- Katkaise pumpun sähkö.
- Anna pumpun tyhjentyä.
- Irrota suodattimen kiinnitysruuvit **(b)**.
- Poista imuritulä **(c)**.
- Pese pumpu puhtaalla vedellä poistaaksesi epäpuhtaudet moottorin ja pumpun kotelon **(d)** väliltä.
- Puhdista juoksupyörä **(d)**.
- Tarkista, että juoksupyörä pyörii esteettömästi.
- Kokoa osat vastakkaisessa järjestyksessä purkamiseen nähden.

11. VIANETSINTÄ

Katkaise pumpun sähkö ennen vianetsintää (irrota pistoke pistorasiasta). Jos sähköjohto tai muu pumpun sähköosa on vaurioitunut, ainoastaan valmistaja, sen valtuuttama huoltoliike tai ammattitaitoinen henkilö saa suorittaa korjaukset tai vaihdot, jotta käyttö on turvallista.

VIAT	TARKISTUKSET (mahdolliset syyt)	KORJAUKSET
1 Moottori ei käynnisty eikä pidä ääntä.	A. Tarkista, että moottorissa on jännitettä. B. Tarkista suojasulakkeet. C. Uimuri ei kytke kytkintä päälle.	A. Tarkista, että pistoke on kytketty asianmukaisesti. B. Vaihda palaneet sulakkeet. C. - Tarkista, että uimuri liikkuu esteettömästi. Aseta se ylös. - Lisää kaivon vedenkorkeutta.
2 Pumppu ei syötä vettä riittävästi.	A. Imuritulä tai letkut ovat tukossa. B. Juoksupyörä on kulunut tai tukossa. C. Pyydetty painekorkeus ylittää pumpun ominaisuudet. D. Pumpussa on ilmaa.	A. Poista tukokset tai vedä kiertyneet letkut suoraksi. B. Vaihda juoksupyörä tai poista tukos. C. Vaihda pumppu toiseen, jonka painekorkeus on korkeampi. D. Odota vähintään 1 minuutti, että se poistuu.
3 Pumppu pysähdy.	A. Uimuri ei kytke kytkintä pois.	A. Tarkista, että uimuri liikkuu esteettömästi.
4 Virtausnopeus on riittämätön.	A. Tarkista, ettei imuritulä ole osittain tukossa. B. Varmista, ettei juoksupyörä tai paineletku ole osittain tukossa tai karstoittunut. C. Tarkista, ettei takaiskuventtiili (jos asennettu) ole osittain tukossa.	A. Poista tukokset tarvittaessa. B. Poista tukokset tarvittaessa. C. Puhdista takaiskuventtiili huolellisesti.
5 Pumppu pysähtyy toimittuaan vähän aikaa.	A. Ylivirtasuojia pysäyttää pumpun.	A. Varmista, ettei pumpattava neste ole liian sakeaa, ettei se aiheuta moottorin ylikuumentumista. B. Varmista, ettei vesi ole liian kuumaa. C. Tarkista, ettei juoksupyörää lukitse mikään kiinteä esine.

12. TAKUU

Kaikki muutokset, joille ei ole annettu ennakkovaltuutusta, vapauttavat valmistajan kaikesta vastuusta. Kaikkien korjauksissa käytettävien varaosien tulee olla alkuperäisiä ja kaikkien lisävarusteiden valmistajan valtuuttamia, jotta laitteiden ja järjestelmien turvallisuus voidaan taata.

Tälle tuotteelle annetaan lakimääräinen takuu (Euroopan unionissa 24 kuukautta ostopäivästä alkaen), joka kattaa kaikki valmistus- tai materiaaliavioista johtuvat vauriot.

Takuunalainen tuote voidaan harkinnanvaraisesti vaihtaa toiseen täydellisesti toimivaan tuotteeseen tai korjata veloituksetta seuraavissa tapauksissa:

- tuotetta on käytetty oikein ja ohjeiden mukaisesti eikä ostaja tai muu henkilö ole yrittänyt korjata sitä.
- tuote on toimitettu myyntipisteeseen varustettuna ostotodistuksella (lasku tai ostokuitti) ja todetun ongelman lyhyellä selostuksella.

Takuu ei kata juoksupyörää eikä kulutusosia. Takuukorjaus ei missään tapauksessa jatka alkuperäistä takuu-aikaa.

KAZALO

1. PRIMJENE	46
2. TEKUĆINE KOJE SE MOGU PUMPATI	46
3. TEHNIČKI PODACI I OGRANIČENJA UPORABE	46
4. UPRAVLJANJE	47
4.1 Skladištenje	47
4.2 Transport	47
4.3 Težina i dimenzije	47
5. UPOZORENJA	47
6. INSTALACIJA	47
7. ELEKTRIČNO PRIKLJUČIVANJE	48
8. POKRETANJE	48
9. MJERE OPREZA	48
10. ODRŽAVANJE I ČIŠĆENJE	48
10.1 Čišćenje usisne rešetke	49
10.2 Čišćenje rotora	49
11. TRAŽENJE KVAROVA	49
12. JAMSTVO	49

UPOZORENJA



Prije nego što nastavite s instalacijom pažljivo pročitajte cijelu dokumentaciju.



Prije svake intervencije izvucite utikač iz utičnice. Bezuvjetno izbjegavajte rad na suho: pumpu treba aktivirati isključivo kad je potopljena u vodu. Ako dođe do nedostatka vode pumpa se mora odmah deaktivirati, izvlačeći utikač iz utičnice.

1. PRIMJENE

Snažne potopne pumpe za drenažu i pražnjenje, te za navodnjavanje malih površina; mogu se koristiti s prljavom vodom čak i u prisustvu lebdećih tijela maksimalne veličine do 38 mm. Pumpe za uporabu u kućanstvima, s ručnim ili automatskim radom, za isušivanje podruma i garaža podložnih poplavama, za drenažne bunare, za pumpanje jama za skupljanje kišnice ili kod prodiranja vode iz oluka, itd.

Zahvaljujući kompaktnom obliku, prikladnom za rukovanje, ove pumpe imaju i posebnu primjenu kao prenosive pumpe u slučajevima nužde, kao što su uzimanje vode iz spremnika ili rijeka, pražnjenje bazena, fontana, iskopa, podvožnjaka ili pothodnika. Podobna je i za vrtlarstvo i hobije u općem smislu.



Ove pumpe ne mogu se koristiti u bazenima, lokvama, ili koritima u kojima su prisutne osobe i/ili za pumpanje ugljikovodika (benzina, dizel goriva, ulja korištenog kao gorivo, otapala, itd.) u skladu s važećim normama o zaštiti na radu. Nisu projektirane za stalnu uporabu, već za slučajeve nužde u ograničenom vremenskom roku. Prije odlaganja, dobro je predvidjeti jednu fazu čišćenja. Pogledajte poglavlje "Održavanje i čišćenje".

2. TEKUĆINE KOJE SE MOGU PUMPATI

Svježa voda	•
Kišnica	•
Čista voda od otpada	•
Prljava voda	•
Nepretrađena voda s krutim tijelima dugih vlakana	○
Voda iz fontane	•
Jezerska ili riječna voda	•
Maks. dimenzija čestica [mm]	Ø 38

Tablica 1

- Pogodna
- Nepogodna

Pumpa je vodonepropustljiva i mora se potopiti u tekućinu do maksimalne dubine od 7 m. Pogledajte tablicu 3.

3. TEHNIČKI PODACI I OGRANIČENJA UPORABE

- Napon napajanja: 230 V, 220-240V pogledajte pločicu s električnim podacima
- Tromi linijski osigurači (verzija 220-240V) indikativne vrijednosti (u amperima)

Linijski osigurači 220-240V 50 Hz
3

Tablica 2

- Temperatura skladištenja: -10°C +40°C

	Model	Drenaža prijava vode P1=1000
Električni podatci	P1 Nominalna apsorbirana snaga [W]	1000
	Mrežni napon [V]	220-240 AC
	Mrežna frekvencija [Hz]	50
	Struja [A]	4.2
	Kondenzator [μ F]	12.5
	Kondenzator [Vc]	450
Hidraulički podatci	Maks. kapacitet protoka [l/min]	320
	Maks. dobavna visina [m]	11
	Maks. dobavni tlak [bar]	1.1
	Maks. dubina potapanja [m]	7
	Min. visina pokretanja AUT [mm]	50
	Visina preostale vode [mm]	50
Polje uporabe	Duljina kabela za napajanje [m]	10
	Vrsta kabela	H07 RNF
	Stupanj zaštite motora	IP X8
	Klasa izolacije	F
	Polje temperature tekućine [°C] prema normi EN 60335-2-41 za uporabu u kućanstvu	0 °C / +35 °C
	Maks. dimenzija čestica [mm]	Ø 38
	Maks. okolna temperatura	+40 °C
	Težina	DNM GAS 1" 1/2 F
	Neto/bruto težina cca [kg]	8.2 / 10.1

Tablica 3



Pumpa koja se ne oslanja na osnovicu ne može podnijeti težinu cijevi koje se u tom slučaju moraju podržavati na drugi način.

4. UPRAVLJANJE

4.1 Skladištenje

Sve pumpe treba skladištiti u zatvorenoj, suhoj prostoriji, bez vibracija i prašine i s vlagom zraka po mogućnosti na konstantnoj vrijednosti. Pumpe se isporučuju u svom originalnom pakiranju u kojem moraju ostati do momenta instalacije.

4.2 Transport

Izbjegavajte bespotrebne udarce i sudare proizvoda.

4.3 Težina i dimenzije

Na pakiranju se nalazi naljepnica s oznakom ukupne težine i dimenzija električne pumpe.

5. UPOZORENJA



Pumpe se nikad ne smiju prenositi, podizati ili puštati u rad obješene za kabel za napajanje. Koristite odgovarajuću ručku.

- Pumpa ne smije nikad raditi na suho.
- Pumpu treba postaviti tako da otvori na usisnoj nožici nisu ni potpuno ni djelomično zapriječeni prljavštinom.
- Brtva sadrži neotrovno mazivo, ali ono može promijeniti svojstva vode u slučaju da se radi o čistoj vodi, ako postoji curenje iz pumpe.
- Pumpa je opremljena termičkom zaštitom motora. U slučaju eventualnog pregrijavanja motora, zaštita motora automatski isključuje pumpu. Vrijeme hlađenja iznosi otprilike 15-20 minuta, nakon čega pumpa se ponovno automatski uključuje. Nakon intervencije zaštite motora, apsolutno je potrebno potražiti uzrok tome i ukloniti ga. Pogledajte Traženje kvarova.

6. INSTALACIJA

Zavijte koljenasti element s priključkom nosača gumice koji se nalazi u pakiranju. Za verziju pumpe za prljavu vodu, na raspolaganju je samo priključak za cijevi dimenzije 1"1/2; ako želite koristiti cijevi s većim promjerom, zamijenite koljenasti priključak. Osim toga upotrijebite i obujmice za cijevi kako biste pričvrstili cijev za priključak.

- Preporučuje se uporaba cijevi s minimalnim unutrašnjim promjerom od 38 mm kako bi se izbjeglo smanjenje učinkovitosti pumpe i mogućnost začepljenja.
- U slučaju da je dno jame na koje će se pumpa osloniti jako prljavo, treba predvidjeti povišeni nosač kako bi se izbjeglo začepljenje na usisnoj rešetki (Sl. 1).

- Potpuno potopite pumpu u vodu.
- Predvidite da jama kućišta ima minimalne dimenzije prema sljedećim vrijednostima:
Min. dimenzije osnove (mm) 400x400 / Min. visina (mm) 400
- Pazite da se plovak slobodno kreće i ostavite najmanje 5 cm prostora od zida jame.
- Jama mora uvijek imati odgovarajuće dimenzije i ovisno o količini vode koja pristiže i o protoku pumpe kako motori ne bi bili podvrgnuti pretjeranim pokretanjima/sat. Izričito se preporučuje da broj pokretanja ne pređe 20 pokretanja/sat.



Pumpa mora biti instalirana u vertikalnom položaju!

7. ELEKTRIČNO PRIKLJUČIVANJE



Dužina kabela za napajanje prisutnog na pumpi ograničava maksimalno potapanje kod uporabe same pumpe. Pridržavajte se uputa navedenih na tehničkoj pločici i u ovom priručniku, u tablici 3.

8. POKRETANJE

Postoje dva načina rada:

• RUČNI (A)

Iako su opremljene plovkom, električne pumpe mogu se koristiti na ručni način rada, sl. 2.

- 1) Pričvrstite plovni prekidač tako da ostane u vertikalnom položaju iznad pumpe (s kablom dolje) (a). Dok god plovni prekidač ostane podignut, pumpa radi bez obzira na razinu vode.
- 2) Umetnite utikač kabela za napajanje u 220-240V strujnu utičnicu.
- 3) Pumpa će početi s radom; uvjerite se da je potopljena u tekućinu koju treba usisati.

Pazite jer se pumpa neće automatski isključiti. Kad se dostigne minimalna razina, korisnik je mora ručno isključiti, ili izvlačenjem utikača iz utičnice ili spuštanjem plovka (automatski rad).

Maksimalna razina usisavanja postiže se samo kod ručnog načina rada, jer u automatskom radu plovni prekidač zaustavlja pumpu prije dostizanja te razine.

• AUTOMATSKI (B)

Modeli opremljeni plovnim prekidačem počinju s radom automatski kad se razina vode podigne i isključuju se kad se dostigne predviđena minimalna razina (Sl. 3).

- 1) Ostavite plovak da se slobodno kreće.
- 2) Umetnite utikač kabela za napajanje u 220-240V strujnu utičnicu.
- 3) Kad plovak dostigne razinu ON, pumpa se pokreće i ostaje u funkciji dok ne dostigne razinu OFF.

Podešavanje visine pokretanja/zaustavljanja:

(Kako biste saznali koja je minimalna visina za uključivanje/isključivanje, pogledajte poglavlje Tehnički podatci.)

Dužina kabela mora s jedne strane dozvoliti plovnom prekidaču da se slobodno kreće, a s druge strane mora spriječiti da se on osloni na dno. Dio kabela između plovnog prekidača i žlijeba za zaustavljanje kabela ne smije biti manji od 10 cm. Što je kraći dio kabela između plovnog prekidača i žlijeba za zaustavljanje kabela, toliko će biti niža visina pokretanja, a viša visina zaustavljanja. Može se promijeniti mjesto pričvršćivanja, na primjer na donjoj spojnici, pri istoj dužini, dobit će se niža razina zaustavljanja i pokretanja (Sl. 4). Pumpa se isporučuje s obujmicom (Sl. 5) koja pričvršćuje kabel plovka i sprečava njegovo klizanje u spojnicu. U slučaju da odlučite produžiti ili smanjiti dužinu slobodnog kabela plovka, pomaknite obujmicu na odgovarajuće mjesto, ako nije moguće predvidjeti zamjenu kabela. Monofazni motori opremljeni su ugrađenom termo-amprometričkom zaštitom i mogu se izravno priključiti na mrežu. Napomena: ako je motor preopterećen, automatski se zaustavlja. Kad se ohladi, automatski se ponovo pokreće bez ikakve potrebe za ručnom intervencijom.

Filtar je projektiran tako da se može regulirati slobodni prolaz od 30 mm do 5 mm, u slučaju uporabe s čistom vodom, dovoljno je jednostavno okrenuti i spustiti filtara.

9. MJERE OPREZA

OPASNOST OD ZAMRZAVANJA: kad pumpa ostane neaktivna na temperaturi nižoj od 0°C, treba provjeriti da nema preostale vode koja bi se mogla zamrznuti i dovesti do stvaranja naprslina na plastičnim dijelovima.

Ako je pumpa korištena s tvarima koje se polažu, ili s kloriranom vodom, nakon uporabe isperite je snažnim mlazom vode kako bi se izbjeglo stvaranje naslaga koji bi mogle umanjiti svojstva pumpe.

10. ODRŽAVANJE I ČIŠĆENJE

Prilikom normalnog rada električna pumpa ne zahtijeva bilo kakvu vrstu održavanja. U svakom slučaju sve intervencije popravki i održavanja moraju se vršiti samo nakon što se pumpa odspoji s mreže napajanja. Kad se pumpa ponovo pokrene, uvjerite se da je uvijek montiran usisni filtara kako se ne bi stvorili uvjeti za opasnost ili mogućnost slučajnog kontakta s dijelovima u pokretu.

10.1 Čišćenje usisne rešetke

(SI. 6)

- Odspojite električno napajanje pumpe.
- Izvršite drenažu pumpe.
- Odvijte pričvrzne vijke na filtru (b).
- Skinite usisnu rešetku (c).
- Očistite i ponovno montirajte usisnu rešetku.

10.2 Čišćenje rotora

(SI. 7)

- Odspojite električno napajanje pumpe.
- Izvršite drenažu pumpe.
- Odvijte pričvrzne vijke na filtru (b).
- Skinite usisnu rešetku (c).
- Operite pumpu čistom vodom kako biste uklonili moguće nečistoće između motora i košuljice pumpe (d).
- Očistite rotor (d).
- Provjerite da li se rotor slobodno okreće.
- Sklopite dijelove obrnutim redoslijedom u odnosu na rasklapanje.

11. TRAŽENJE KVAROVA



Prie nego što počnete tražiti kvarove potrebno je prekinuti električno povezivanje pumpe (izvucite utikač iz električne utičnice). Ako kabel za napajanje ili pumpa imaju oštećenja na bilo kojem električnom dijelu intervenciju popravka ili zamjene mora vršiti proizvođač ili njegov ovlaštenu servis ili ekvivalentna kvalificirana osoba kako bi se spriječio bilo kakav rizik.

SMETNJE		PROVJERE (mogući uzroci)	RJEŠENJA
1	Motor se ne pokreće i ne stvara buku.	A. Provjerite je li motor pod naponom. B. Provjerite zaštitne osigurače. C. Prekidač se ne aktivira plovkom.	A. Provjerite je li utikač pravilno umetnut. B. Ako su pregorili, zamijenite ih. C. - Provjerite da se plovak slobodno kreće. Postavite ga prema gore. - Povećajte dubinu jame.
2	Pumpa ne izbacuje tekućinu.	A. Usisna rešetka ili cijevi su zapriječene. B. Rotor je istrošen ili zapriječen. C. Tražena dobavna visina je viša od svojstava pumpe. D. Prisustvo zraka	A. Uklonite zapreke ili rastegnite cijev ako je zamotana. B. Zamijenite rotor ili uklonite zapreku. C. Zamijenite pumpu drugom s višom dobavnom visinom. D. Sačekajte najmanje 1 minutu dok se ne ukloni.
3	Pumpa se ne zaustavlja.	A. Prekidač se ne deaktivira plovkom.	A. Provjerite da se plovak slobodno kreće.
4	Kapacitet protoka je nedovoljan.	A. Provjerite da usisna rešetka nije djelomično zapriječena. B. Provjerite da rotor ili dovodna cijev nisu djelomično zapriječeni ili prekriveni naslagama. C. Provjerite da zaporni ventil (ako je predviđen) nije djelomično začepljen.	A. Uklonite eventualne zapreke. B. Uklonite eventualne zapreke. C. Temeljito očistite zaporni ventil.
5	Pumpa se zaustavlja nakon kratkotrajnog rada.	A. Uređaj za termo-amperometričku zaštitu zaustavlja pumpu.	A. Provjerite je li tekućina koja se pumpa previše gusta jer bi mogla uzrokovati pregrijavanja motora. B. Provjerite je li temperatura vode previsoka. C. Provjerite prisustvo čvrstih tijela koja blokiraju rotor.

12. JAMSTVO



Bilo kakva promjena koja nije prethodno ovlaštena, oslobađa proizvođača od bilo kakve odgovornosti. Svi rezervni dijelovi korišteni u popravcima moraju biti originalni i sva dodatna oprema mora biti ovlaštena od strane proizvođača, kako bi se mogla jamčiti maksimalna sigurnost strojeva i sustava u kojima se montiraju ove pumpe.

Ovaj proizvod pokriven je legalnim jamstvom (u Europskoj zajednici rok je 24 mjeseca od datuma kupnje) koje se odnosi na sve defekte nastale greškama u proizvodnji ili uslijed korištenog materijala.

Proizvod u jamstvenom roku može biti, po potrebi, zamijenjen proizvodom u savršenom radnom stanju ili besplatno popravljen ako se poštuju sljedeći uvjeti:

- proizvod je korišten na ispravan način i u skladu s uputama i kupac ili treće osobe nisu ga pokušali popraviti ni na koji način;
- proizvod je predat prodajnom mjestu, uz prilog dokumenta koji potvrđuje njegovu kupnju (faktura ili fiskalni račun) i kratki opis problema.

Rotor i dijelovi podložni trošenju nisu pokriveni jamstvom. Intervencija u jamstvenom roku ni u kom slučaju ne produžuje početni period.

TARTALOMJEGYZÉK

1. ALKALMAZÁSOK	50
2. SZIVATTYÚZHATÓ FOLYADÉKOK	50
3. MŰSZAKI ADATOK ÉS FELHASZNÁLÁSOK KORLÁTOZÁSAI.....	50
4. KEZELÉS	51
4.1 Tárolás	51
4.2 Szállítás.....	51
4.3 Súly és méretek	51
5. FIGYELEM	51
6. ÖSSZESZERELÉS.....	51
7. ELEKTROMOS BEKÖTÉS.....	52
8. BEINDÍTÁS	52
9. ÓVINTÉZKEDÉSE	52
10. KARBANTARTÁS ÉS TISZTÍTÁS	52
10.1 Elszívó rács tisztítása	52
10.2 A forgórész tisztítása	52
11. HIBAKERESÉS.....	52
12. GARANCIA	53

FIGYELEM



A telepítés előtt gondosan olvassa el a dokumentációt.



Minden egyes beavatkozás előtt húzza ki a dugót. Kerülje el a szárazon működést: a szivattyút kizárólag akkor működtesse, ha vízbe merítette. Ha nincs több víz, akkor a szivattyút azonnal kapcsolja ki, húzza ki a dugót a konnektorból.

1. ALKALMAZÁSOK

Erőteljes és erős merülőszivattyúk kisebb szivárgások kiürítéséhez; használhatók szennyvízzel szilárd, lebegő testek jelenlétében is max. 38 mm-ig. Otthoni használatra készült szivattyúk, kézi és automatikus működéssel elárasztásveszélyben lévő pincék kiszáritására, elvezetőkutak kiszivattyúzására, esővízgyűjtő kutak vagy ereszcatornákból érkező szivárgások kiszivattyúzásra, stb. terveztek és építettek.

A kompakt és jól kezelhető formájának köszönhetően hordozható szivattyúként is használhatók olyan vészhelyzetekben, amelyekben tartályokból vagy folyókból vizet kell szivattyúzni illetve medencéket vagy kutakat illetve ásásokat vagy aluljárókat kell leereszteni. Kertészkedésnél és hasonló hobbiknál is alkalmas.



Ezeket a szivattyúkat nem szabad medencékben, szennyvízelvezetőkben, személyekkel tele medencékben vagy szénhidrogének szivattyúzására (benzin, gázolaj, üzemanyagok, oldószerek, stb.) használni a témában érvényes baleset-megelőzési szabványok szerint. Nem tervezték folyamatos használatra, csak korlátozott időszakú vészhelyzetre. Mielőtt helyre teszi, érdemes megtisztítani. Lásd a „Karbantartás és Tisztítás“ fejezetet.

2. SZIVATTYÚZHATÓ FOLYADÉKOK

Friss víz	•
Esővíz	•
Tiszta szennyvíz	•
Szennyvíz	•
Nyersvíz, hosszú szálú szilárd testekkel	○
Kútvíz	•
Folyó-, vagy tóvíz	•
A részecskék mérete max. [mm]	Ø 38

1. táblázat

- Alkalmas
- Nem alkalmas

A szivattyú vízálló és legfeljebb 7 m mélységben szabad folyadékba meríteni. Lásd a 3 táblázatot.

3. MŰSZAKI ADATOK ÉS FELHASZNÁLÁSOK KORLÁTOZÁSAI

- Tápfeszültség: 220-240V, lásd az elektromos adatok címkét
- Késleltetett vonal biztosítékok (220-240V verzió): szabványos értékek (Amper)
- Tárolási hőmérséklet: -10°C +40°C

Vonal olvadóbiztosíték 220-240V 50 Hz
3

2. táblázat

MAGYAR

	Modell	Szennyvíz víz elvezetése
		P1=1000
Elektromos adatok	P1 Névleges elnyelt teljesítmény [W]	1000
	Hálózati feszültség [V]	220-240 AC
	Hálózati frekvencia [Hz]	50
	Áram [A]	4.2
	Kondenzátor [μ F]	12.5
	Kondenzátor [Vc]	450
Hidraulikus adatok	Max. hozam [l/perc]	320
	Max. szállítás [m]	11
	Max. szállítás [bar]	1.1
	Max. merülési mélység [m]	7
	Min. beindítási magasság AUT [mm]	50
	Fennmaradó víz magasság [mm]	50
Alkalmazási terület	hossz Tápellátó vezeték [m]	10
	Vezeték típus	H07 RNF
	Motor védelmi fok	IP X8
	Szigetelési osztály	F
	Folyadék hőmérsékleti mező [°C] EN 60335-2-41 szerint otthoni használatra	0 °C / +35 °C
	A részecskék mérete max. [mm]	Ø 38
	Max. Szobahőmérséklet [°C]	+40 °C
	DNM GAS	1" 1/2 F
Súly	Nettó/bruttó súly kb. [kg]	8.2 / 10.1

3. táblázat



A nem az alapzatára támaszkodó szivattyút nem tudja megtartani a tömlők súlyát, ezt más módon kell megtartani.

4. KEZELÉS

4.1 Tárolás

Az összes szivattyút zárt, száraz és a páratartalomtól védett helyen kell tartani, lehetőleg állandóan, rezgésektől és poroktól mentesen. Eredeti csomagolásban szállítjuk, és ebben kell maradniuk a telepítés pillanatáig.

4.2 Szállítás

Kerülje a termék szükségtelen ütközését és ütődését.

4.3 Súly és méretek

A csomagoláson lévő matrica a teljes elektromos szivattyú súlyát és méreteit mutatja.

5. FIGYELEM



A szivattyúkat nem kell szállítani, felemelni vagy felfüggesztve működtetni a tápvezetékét használva, használja a megfelelő akasztót.

- A szivattyút ne működtesse szárazon.
- Úgy helyezze el a szivattyút, hogy a beszívóláb lyukai ne legyenek eldugítva teljesen vagy részben a szennyeződéstől.
- A zárószervezet nem mérgező kenőanyagot tartalmaz, ami viszont módosíthatja a víz jellemzőit, ha tiszta vízről van szó, ha a szivattyú szivárog.
- A szivattyún hővédelmi motor van. Ha a motor esetleg túlmelegszik, akkor a motorvédő automatikusan kikapcsolja a szivattyút. A lehűlés 15-20 percig tart, ezt követően a szivattyú automatikusan újra beindul. A motorvédő közbelépése után kifejezetten szükséges megkeresni és elhárítani az okot. Olvass el a Hibakeresést.

6. ÖSSZESZERELÉS

Húzza meg a könyökcsatlakozót a csomagban lévő gumitartó csatlakozóval. A szennyvíz verzióhoz csak 1"1/2-es átmérőjű csőcsatlakozás áll rendelkezésre, ha nagyobb átmérőjű tömlőt szeretne használni, akkor cserélje ki a könyökcsatlakozót. Ezen kívül használjon tömlőszorítót a tömlő csővéghöz rögzítésére.

- Ajánlatos legalább 38 mm belső átmérőjű tömlőket használni, hogy elkerülje a szivattyú teljesítményének csökkenését és a lehetséges eldugulásokat.
- Ha a kút feke nagyon piszkos, ahová a szivattyút letámasztja, akkor ajánlatos emelőtámaszt használni, hogy elkerülje a beszívó rács eldugulását (1. ábra).
- Merítse a szivattyút teljesen a vízbe.
- Ellenőrizze, hogy a kút mérete legalább a következők szerinti legyen:
Alapméretek min. (mm) 400x400 / Magasság min. (mm) 400
- Ügyeljen arra, hogy az úszó szabadon mozoghasson, hagyjon szabadon legalább 5 cm-t a kút falaitól.
- A kút legyen mindig olyan méretű, hogy a beérkező víz mennyiségéhez és a szivattyú hozamához képest is ne helyezze a motort túlzott mennyiségű beindítások/üzemóra alá, ajánlatos a 20 beindítás/üzemóra arányt nem túllépni.



A szivattyút telepítse függőleges helyzetben!

7. ELEKTROMOS BEKÖTÉS



A szivattyún lévő tápvezeték hossza korlátozza a szivattyú használata alatti a maximális merülési mélységet. Tartsa be a műszaki címkén és ebben a 3. táblázatban megadott utasításokat.

8. BEINDÍTÁS

Két működési mód létezik:

• KÉZI (A)

Az elektromos szivattyúk, úszóval együtt is használhatók kézi módban 2. ábra

- 1) Rögzítse a lebegő kapcsolót úgy, hogy függőlegesen maradjon a szivattyú fölött (a vezetékkel lefelé) (a). Amíg a lebegő kapcsoló felemelkedve marad, addig a szivattyú a vízszinttől függetlenül működésben marad.
- 2) Dugja be a dugót 220-240V-os konnektorba.
- 3) A szivattyú működni kezd, ellenőrizze, hogy a felszivandó folyadékba merítette.

Ügyeljen arra, hogy a szivattyú nem kapcsol ki automatikusan, miután elérte a minimális szintet, a felhasználó kapcsolja ki kézzel vagy kihúzza a dugót a konnektorból vagy leengedi az úszót (automatikus működés).

A maximális elszívási szintet csak kézi működés alatt lehet elérni, mivel automatikus működés alatt a lebegő kapcsoló leállítja a szivattyút ennek a szintnek az elérése előtt.

• AUTOMATIKUS (B)

A lebegő kapcsolóval ellátott modellek automatikusan lépnek működésbe, amikor a víz szintje emelkedik és kikapcsolnak, amikor eléri a minimum szintet (3. ábra).

- 1) Hagyja az úszót szabadon mozogni.
- 2) Dugja be a dugót 220-240V-os konnektorba.
- 3) Amikor az úszó eléri az ON szintet, akkor a szivattyú beindul és működésben marad, amíg eléri az OFF szintet.

A beindítás/kikapcsolás magasságának szabályozása:

(A minimális beindítási és kikapcsolási szint megismeréséhez olvassa el a Műszaki Adatok fejezetet.)

A vezeték hossza egyik oldalról engedélyezi, hogy a lebegő kapcsoló szabadon mozoghasson, másik oldalról elkerüli, hogy a fenékre támaszkodjon. A vezetéknek a lebegő kapcsoló és a vezetékrögztítő mélyedés közti része ne legyen 10 cm-nél rövidebb. Minél rövidebb a vezetéknek a része a lebegő kapcsoló és a vezetékrögztítő mélyedés között, annál alacsonyabb a beindítási magasság és annál magasabb a leállítási magasság. A rögzítési pontot módosíthatja például az alsó csipeszen, a hosszának megfelelően alacsonyabb leállítási és beindítási szintet kap (4. ábra). A szivattyút egy szalaggal szálállítjuk (5. ábra), amely a lebegő vezetékét rögzíti és megakadályozza, hogy a csipesz csúszkáljon, ha úgy dönt, hogy meghosszabbítja vagy lerövidíti a lebegő által szabad vezetékét, akkor ennek megfelelően mozdítsa el a szalagot, ha nem lehetséges, akkor cserélje ki. A beépített termo-ampemetrikus biztosítókkal felszerelt egy fázisú motorokat közvetlenül is csatlakoztathatja a hálózathoz. Jól jegyezze meg: ha a motor túl van terhelve, akkor automatikusan megáll. Miután lehűlt, automatikusan újraindul kézi közbeavatkozás nélkül.

A szűrőt úgy tervezték, hogy 30 mm-től 5 mm-ig szabályozható legyen, ha tiszta vízzel használja, akkor elég elfordítani és leengedni.

9. ÓVINTÉZKEDÉSE

FAGYVÉDELEM: amikor a szivattyú 0°C alatti hőmérsékleten van, akkor ellenőrizze, hogy nincsenek vízmaradványok, amelyek megfagyva megrepedezhetnek a műanyag részeket. Ha a szivattyút lerakódásra hajlamos részekkel használta vagy klóros vízzel, akkor a használat után öblítse ki erős vízszugárral, hogy elkerülje a lerakódások vagy szennyeződések képződését, amelyek csökkentenék a szivattyú jellemzőit.

10. KARBANTARTÁS ÉS TISZTÍTÁS

Az elektromos szivattyú normális működés közben nem igényel semmilyen karbantartást. Mindenesetre az összes javítási és karbantartási közbeavatkozást csak akkor végezze, miután a szivattyút leválasztotta a táphálózatról. Amikor újraindítja a szivattyút, akkor ellenőrizze, hogy mindig fel legyen szerelve a beszívó szűrő, hogy ne okozzon veszélyt és véletlen kapcsolatot a mozgásban lévő részekkel.

10.1 Elszívó rács tisztítása (6. ábra)

- Húzza ki az elektromos szivattyú tápellátását.
- Eressze le a szivattyút
- Csavarozza ki a szűrő rögzítőcsavarjait (b).
- Távolítsa el a beszívó rácsot (c).
- Tisztítsa meg és szerelje vissza az elszívó rácsot.

10.2 A forgórész tisztítása (7. ábra)

- Húzza ki az elektromos szivattyú tápellátását.
- Eressze le a szivattyút.
- Csavarozza ki a szűrő rögzítőcsavarjait (b).
- Távolítsa el a beszívó rácsot (c).
- Mossa meg a szivattyút tiszta vízzel, hogy eltávolítsa a motor és a szivattyú burkolata közti lehetséges szennyeződések (d).
- Tisztítsa meg a forgórészt (d).
- Ellenőrizze, hogy a forgórész szabadon foroghasson.
- Szerelje össze az összes részt a szétszerelési sorrenddel ellenkező sorrendben.

11. HIBAKERESÉS



Mielőtt elkezdi a hibakeresést, áramtalanítani kell a szivattyút a tápkábel dugaszának kihúzásával. Ha a tápkábel vagy maga a szivattyú bármely része megsérült, a javítást vagy cserét a gyártónak vagy a

MAGYAR

gyártó által megbízott szakszerviznek vagy olyan műszaki sza-kembernek kell elvégeznie aki az előzőekkel azonos képzettségű, és képes megelőzni minden veszélylehetőséget.

HIBÁK		ELLENŐRZÉSEK (lehetséges okok)	ELHÁRÍTÁS
1	A motor nem indul el és nem zajos.	A. Ellenőrizze, hogy a motor feszültség alatt van. B. Ellenőrizze a védő olvadóbiztosítékokat. C. A lebegő nem aktiválja a kapcsolót.	A. Ellenőrizze, hogy a dugó helyesen van beillesztve B. Ha kiégett, akkor cserélje ki C. -Ellenőrizze, hogy a lebegő szabadon mozog.Állítsa felfelé. -Növelje meg a kút mélységét
2	A szivattyú hozama nem megfelelő.	D. Az elszívórács vagy a tömlők el vannak dugulva. E. A forgórész elkopott vagy eldugult. F. A kért szállítás nagyobb a szivattyú jellemzőinél. G. Levegő jelenléte.	A. Távolítsa el a dugulásokat vagy egyenesítse ki a tömlőket, ha elcsavarodtak. B. Cserélje ki a forgórészeket vagy távolítsa el az eltömítődéseket. C. Cserélje ki nagyobb szállítóképességűre. D. Várjon legalább 1 percet, mielőtt eltávolítja.
3	A szivattyú nem áll le.	H. A lebegő nem kapcsolja ki a kapcsolót.	A. Ellenőrizze, hogy a lebegő szabadon mozog.
4	A szállítás nem elegendő.	A. Ellenőrizze, hogy az elszívórács ne legyen részben eldugulva. B. Ellenőrizze, hogy a forgórész vagy az előremenő tömlő ne legyenek részben eldugulva, ne legyen rajtuk lerakódás. C. Ellenőrizze, hogy a visszacsapó szelep (ha van ilyen) ne legyen részben eldugulva.	A. Távolítsa el a dugulásokat. B. Távolítsa el a dugulásokat. C. Tisztítsa meg alaposan a visszacsapó szelepet.
5	A szivattyú rövid ideig tartó működés után leáll.	A. A termo-ampermetrikus biztosíték leállítja a szivattyút.	A. Ellenőrizze, hogy a szivattyúzandó folyadék ne legyen túl sűrű, mert az a motor felmelegedését okozhatja. B. Ellenőrizze, hogy a víz hőmérséklete ne legyen túl magas. C. Ellenőrizze, hogy ne legyen szilárd test, amely blokkolja a forgórészt.

12. GARANCIA



Bármilyen előzetes engedély nélküli módosítás felmenti a gyártót minden felelősség alól. A javításoknál használt összes pótalkatrész legyen eredeti és az összes kiegészítő legyen a gyártó által engedélyezett, hogy a gépek valamint a berendezések maximális biztonsága, amelyekre felszerelik, garantálható legyen.

Ezt a terméket a törvény által előírt garancia védi (az Európai Közösség országaiban 24 hónap a vásárlás dátumától kezdődően), amely az összes gyártási hibára és használt anyag hibájára vonatkozik.

A garanciás terméket esetleg ki is cseréljük egy tökéletesen működő másik termékre vagy ingyenesen megjavítjuk, ha a következő feltételek adottak:

- a terméket helyesen és az utasításoknak megfelelően működteti és nem próbálja meg megjavítani sem a vásárló sem harmadik személy.
- A terméket a vásárlás helyén adja át, a vásárlást igazoló nyugtával (áfás számla vagy nyugta) és az észlelt hiba leírásával együtt.

A forgórész és a részek kopórészek, ezek nem tartoznak a garancia alá. A garanciás közbeavatkozás nem hosszabbítja meg az eredeti garanciás időszakot.

TURINYS

1. NAUDOJIMO SRITIS	54
2. SIURBIMUI TINKAMI VANDENYS	54
3. TECHNINIAI DUOMENYS IR NAUDOJIMO APRIBOJIMAI	54
4. VALDYMAS	55
4.1 Laikymas	55
4.2 Transportavimas	55
4.3 Svoris ir matmenys	55
5. ĮSPĖJIMAI	55
6. ĮRENGIMAS	55
7. ELEKTROS ĮRANGOS PRIJUNGIMAS	56
8. PALEIDIMAS	56
9. ATSARGUMO PRIEMONĖS	56
10. PRIEŽIŪRA IR VALYMAS	56
10.1 Įsiurbimo grotelių valymas	57
10.2 Sparnuotės valymas	57
11. GEDIMŲ PAIEŠKA	57
12. GARANTIJA	57

ĮSPĖJIMAI



Prieš įrengdami siurbį, atidžiai perskaitykite visus dokumentus.



Prieš imdamiesi bet kokių veiksmų, ištraukite kištuką iš elektros lizdo. Siurblys jokių būdu negali veikti be vandens sausiai: siurbį galima įjungti tik tuomet, kai jis yra panardintas į vandenį. Jeigu vanduo išsenka, siurbį reikia nedelsiant išjungti, atjungiant jį nuo elektros srovės.

1. NAUDOJIMO SRITIS

Galingi panardinami siurbiai tinka nusausinimui, ištuštinimui ir nedidelių plotų laistymui; gali būti naudojami nešvariam vandeniui siurbti, net esant kietosioms dalelėms, kurių didžiausias skersmuo - iki 38 mm. Siurbiai buitiniam naudojimui rankiniu arba automatinu būdu, užlietiems rūsiams ir garažams sausinti, siurbimui drenažo šuliniuose, lietaus vandens surinkimo šuliniuose ar per stogvamzdžius ir latakus surenkamo vandens siurbimui bei kt.

Kompaktiškumo ir manevringumo dėka, taip pat gali būti naudojami kaip kilnojami siurbiai avarinių situacijų atvejais, pavyzdžiui, vandeniui iš rezervuarų ar upių paimti, baseinams, fontanams, iškasoms ar požeminėms galerijoms ištuštinti. Siurbiai taip pat tinka sodo ir kitiems darbams atlikti.



Šie siurbiai negali būti naudojami baseinuose, tvenkiniuose ir kituose vandens telkiniuose tuomet, kai juose yra žmonių, arba angliavandeniliams (benzinui, dyzelinui, degiosioms alyvoms, tirpikliams ir pan.) persiurbti vadovaujantis galiojančių nelaimingų atsitikimų prevencijos taisyklių reikalavimais. Netinka nuolatiniam naudojimui, naudotini avariniais atvejais ribotą laiką. Pasinaudojus rekomenduojama išvalyti. Žiūrėti skyrių „Priežiūra ir valymas“.

2. SIURBIMUI TINKAMI VANDENYS

Švarūs vandenys	•
Lietaus vanduo	•
Nekenksmingi nutekamieji vandenys	•
Purvini vandenys	•
Neapdoroti vandenys, kuriuose yra kietųjų kūnų ir ilgapluoščių priemaišų	○
Fontanų vanduo	•
Upių ar ežerų vanduo	•
Didž. dalelių matmenys (mm)	Ø 38

1 lentelė.

- Tinkami siurbimui vandenys
- Netinkami siurbimui vandenys

Siurblys yra sandarus, jį reikia panardinti į vandenį ne didesniame kaip 7 m gylyje. Žiūrėti 3 lentelę.

3. TECHNINIAI DUOMENYS IR NAUDOJIMO APRIBOJIMAI

- Maitinimo įtampa: 220-240V Žiūrėkite elektrinių komponentų duomenų plokštelėje
- Išjungimo vėlinimo linijiniai lydiei saugikliai (220-240Vversija): orientacinės vertės (išreikštos amperais) 2 lentelė.
- Laikymo temperatūra: -10°C +40°C

Linijiniai lydiei saugikliai 220-240V50Hz
3

LIETUVIŲ

	Modelis	Purvini vandenų drenavimas
		P1=1000
Elektros duomenys	P1 Absorbuota nominali galia (W)	1000
	Tinklo įtampa (V)	220-240 AC
	Tinklo dažnis (Hz)	50
	Srovė (A)	4.2
	Kondensatorius (µF)	12.5
	Kondensatorius (Vc)	450
Hidrauliniai duomenys	Didž. našumas (l/min.)	320
	Didž. kėlimo aukštis (m)	11
	Didž. kėlimo slėgis (bar)	1.1
	Didž. panardinimo gylis (m)	7
	Maž. AUT paleidimo aukštis (mm)	50
	Likusio vandens aukštis (mm)	50
Galimas naudojimas	Maitinimo kabelio ilgis (m)	10
	Kabelio tipas	H07 RNF
	Variklio apsaugos laipsnis	IP X8
	Izoliacinė klasė	F
	Skysčių temperatūros ribos [°C] pagal EN 60335-2-41 standartą dėl buitinių prietaisų	0 °C / +35 °C
	Didž. dalelių matmenys (mm)	Ø 38
	Didž. aplinkos temperatūra (°C)	+40 °C
Svoris	Hidraulinės dalies dydis DNM GAS	1" 1/2 F
	Apytikslis neto (grynasis) / bruto (bendras) svoris (kg)	8.2 / 10.1

3 lentelė.



Į pagrindą neatremtas siurblys negali išlaikyti vamzdžių svorio, todėl jiems turi būti užtikrinama kita atrama.

4. VALDYMAS

4.1 Laikymas

Visi siurbLIAI turi būti laikomi uždaroje sausoje patalpoje, kuriose, jeigu įmanoma, būtų palaikomas pastovus drėgnumo lygis ir kuriose nėra vibracijos bei dulkių. SiurbLIAI pristatomi originalioje pakuotėje ir turi būti jose laikomi iki įrengimo pradžios.

4.2 Transportavimas

Venkite smūgių ir įrenginio susidūrimo su kitais daiktais.

4.3 Svoris ir matmenys

Ant pakuotės priklijuotoje lentelėje nurodytas bendras elektrinio siurblio svoris ir jo matmenys.

5. ĮSPĖJIMAI



Siurblių jokia būdu negalima perkelti iš vienos vietos į kitą, kelti į viršų ar leisti jiems veikti pakabinius juos naudojant maitinimo kabelį, naudokite tam skirtą rankeną.

- Siurblys niekuomet neturi veikti tuščiaja eiga („sausai“).
- Siurblys turi būti padėtas taip, kad nešvarumai visiškai ar dalinai neužkimštų siurbimo pagrindo skylių.
- Sandarinimo sistemoje yra naudojamas netoksinis tepalas, tačiau jis gali pakeisti švaraus vandens savybes nedidelio nuotėkio iš siurblio atveju.
- Siurblyje yra įmontuotas šiluminis saugiklis. Variklio perkaitimo atveju, šiluminis saugiklis automatiškai išjungia siurbLį. Aušinimo laikas yra apie 15-20 min., po to siurblys vėl automatiškai įsijungia. Suveikus šiluminiui saugikliui yra būtina rasti priežastį, dėl ko tai atsitiko, ir ją pašalinti. Žiūrėti „Trikčių diagnostika“.

6. ĮRENGIMAS

Prisukite pridėtą alkūninę jungtį vamzdžiams (žarnoms). Purviniems vandenims skirto įrenginio modeliui turime tik vieną jungtį 1"1/2 skersmens vamzdžiams (žarnoms), norėdami naudoti didesnio skersmens vamzdį (žarną), pakeiskite alkūninę jungtį. Taip pat naudokite vamzdžių tvirtinimo juostą vamzdžiui (žarnai) prie jungties pritvirtinti.

- Rekomenduojama naudoti vamzdžius (žarnas), kurių vidinis skersmuo ne mažesnis kaip 38 mm, siekiant išvengti neigiamo poveikio siurblio eksploatacinėms savybėms bei galimo užsikimšimo.
- Jeigu šulinio, kuriame stovės siurblys, dugnas yra labai purvinas, reiktų įrengti pakeltą atramą, taip išvengiant įsiurbimo grotelių užsikimšimo (1 pav.).
- SiurbLį visiškai panardinkite į vandenį.

LIETUVIŲ

- Pasirūpinkite, kad šulinio, kuriame stovės siurblys, matmenys atitiktų šiuos matmenis:
Pagrindo matmenys min. (mm) 400x400 / Aukštis min. (mm) 400
- Pasirūpinkite, kad plūdė galėtų laisvai judėti, palikite ne mažiau kaip 5 cm atstumą iki šulinio sienelės.
- Reikia visada įvertinti šulinio matmenis atsižvelgiant ir į įtekančio vandens kiekį bei siurblio našumą siekiant, kad siurblys neįsijungtų per dažnai; griežtai rekomenduojama stebėti, kad neįsijungtų daugiau kaip 20 kartų per valandą.



Siurblys turi būti įrengiamas vertikaliaje padėtyje!

7. ELEKTROS ĮRANGOS PRIJUNGIMAS



Siurblio maitinimo kabelio ilgis riboja didžiausią siurblio panardinimo gylį. Vadovaukitės techninių duomenų lentelėje ir šio vadovo 3 lentelėje pateiktais parametrais.

8. PALEIDIMAS

Galimi du veikimo būdai:

- **RANKINIS (A)**

Nors elektriniai siurbliai turi plūdę, jie gali veikti ir rankiniu būdu (2 pav.).

- 1) Plūdinį jungiklį pritvirtinkite vertikaliai virš siurblio (kad kabelis būtų apačioje) (a). Kol plūdinis jungiklis yra pakeltas, siurblys veikia nepriklausomai nuo vandens lygio.
- 2) Įkiškite maitinimo kabelio kištuką į 220-240V elektros lizdą.
- 3) Siurbliui pradėjus veikti, įsitinkite, kad jis yra panardintas į siurbiamą vandenį.

Būkite atidūs, nes siurblys automatiškai neišsijungs, todėl kai bus pasiektas mažiausias vandens lygis, naudotojas siurblią turės išjungti rankiniu būdu arba ištraukdamas kištuką iš elektros lizdo, arba nuleisdamas plūdę (pereinant prie automatinio veikimo).

Didžiausias įsiurbimo lygis pasiekiamas tik siurbliui veikiant rankiniu būdu, nes jam veikiant automatinio būdu plūdinis jungiklis sustabdo siurblią prieš pasiekiant tą lygį.

- **AUTOMATINIS (B)**

Modeliai su plūdiniu jungikliu automatiškai įsijungia, kai vandens lygis pakyla, ir išsijungia, kai pasiekiamas mažiausias numatytas vandens lygis (3 pav.).

- 1) Pasirūpinkite, kad plūdė galėtų laisvai judėti.
- 2) Įkiškite maitinimo kabelio kištuką į 220-240V elektros lizdą.
- 3) Kai plūdė pasiekia įsijungimo lygį, siurblys įsijungia ir veikia tol, kol pasiekiamas išsijungimo lygis.

Paleidimo / stabdymo aukščio reguliavimas:

(Norėdami sužinoti mažiausią numatytą įsijungimo ir išsijungimo aukštį, skaitykite skyrių „Techniniai duomenys“).

Kabelio ilgis turi būtų toks, kad plūdinis jungiklis galėtų laisvai judėti, bet nesiremtų į dugną. Kabelio ilgis tarp plūdinio jungiklio ir kabelio laikymo griovelio neturi būti mažesnis kaip 10 cm. Kuo kabelio ilgis tarp plūdinio jungiklio ir kabelio laikymo griovelio bus mažesnis, tuo žemesnis bus paleidimo aukštis ir tuo aukštesnis stabdymo aukštis. Galima pakeisti tvirtinimo vietą, pavyzdžiui, ant apatinio laikiklio, esant vienodam ilgiui, stabdymo ir įsijungimo lygis bus žemesnis (4 pav.). Prie siurblio pridedama tvirtinama juostelė (5 pav.), kuria pritvirtinamas plūdės kabelis, kad nejudėtų laikiklyje; jeigu nuspręstumėte pailginti arba patrumpinti laisvai judantį plūdės kabelį, atitinkamai perkeltite tvirtinamą juostelę, jeigu tai nepavyktų, pakeiskite ją nauja. Vienfaziai varikliai turi inkorporuotas šiluminės amperometrines apsaugas, todėl gali būti tiesiogiai jungiami prie elektros tinklo. Pastaba: jei varikliui tenka per didelę apkrovą, jis automatiškai sustoja. Kai atvėsta, įsijungia taip pat automatiškai, nereikia atlikti jokių veiksmų rankiniu būdu.

Filtrą suprojektuotas taip, kad būtų galima sumažinti praleidimo ertmę nuo 30 mm iki 5 mm tuo atveju, kai siurblys naudojamas nekenksmingiems vandenims, pakanka jį tiesiog pasukti ir pažeminti.

9. ATSARGUMO PRIEMONĖS

UŽŠALIMO PAVOJUS: kai siurblys nenaudojamas esant žemesnei kaip 0 °C temperatūrai, būtina įsitikinti, kad neliko vandens likučių, kuriems sustingus į ledą, gali trūkti plastikinės dalys.

Jeigu siurblys naudotas su nusėdančiomis medžiagomis arba chloruotu vandeniu, panaudoję jį praplaukite stipria vandens srove, kad nesusidarytų nuosėdos ar nuogulos, kurios turėtų neigiamos įtakos siurblio techninėms savybėms.

10. PRIEŽIŪRA IR VALYMAS

Normaliomis sąlygomis naudojamam siurbliui nereikia jokios priežiūros. Bet kuriuo atveju priežiūros ir taisymo darbai gali būti atliekami tik išjungus siurblią iš maitinimo tinklo. Prieš vėl įjungiant siurblią, reikia įsitikinti, kad buvo įdėtas įsiurbimo filtras, priešingu atveju yra pavojus atsitiktinai prisiliesti prie ju-dančių ir besisukančių dalių.

LIETUVIŲ

10.1 Įsiurbimo grotelių valymas

(Fig.6)

- Išjunkite siurbį iš elektros maitinimo šaltinio.
- Nusausinkite siurbį.
- Atsukite ant filtro esančius tvirtinimo varžtus (b).
- Nuimkite įsiurbimo groteles (c).
- Nuvalykite ir įdėkite įsiurbimo groteles.

10.2 Sparnuotės valymas

(Fig.7)

- Išjunkite siurbį iš elektros maitinimo šaltinio.
- Nusausinkite siurbį.
- Atsukite ant filtro esančius tvirtinimo varžtus (b).
- Nuimkite įsiurbimo groteles (c).
- Išplaukite siurbį švariu vandeniu, pašalindami galimus nešvarumus, susikaupusius tarp variklio ir siurblio korpuso. (d).
- Nuvalykite sparnuotę (d).
- Įsitikinkite, kad sparnuotė gali laisvai sukis.
- Surinkite siurbį, atlikdami aprašytus veiksmus tvirkštine tvarka.

11. GEDIMŲ PAIEŠKA



Prieš pradėdant ieškoti gedimų, būtina nutraukti elektros tiekimą siurbliui (ištraukite kištuką iš elektros lizdo). Jeigu maitinimo kabelis arba kuri nors siurblio elektrinė dalis yra pažeista, taisymo ar keitimo darbus privalo atlikti Gamintojas arba jo techninės priežiūros tarnyba, arba atitinkamą kvalifikaciją turintis asmuo, kad būtų išvengta bet kokios rizikos.

GEDIMAI		PATIKRA (galimos priežastys)	SPRENDIMAS
1	Variklis neįsijungia ir neskleidžia jokio garso.	A. Patikrinkite, ar į variklį tiekama įtampa. B. Patikrinkite lydžiuosius saugiklius. C. Plūdinis jungiklis neįjungia variklio.	A. Patikrinkite, ar kištukas tinkamai įkištas. B. Pakeiskite sudegusius saugiklius. C. - Patikrinkite, ar plūdinis jungiklis juda laisvai. Pastatykite jį stačiai. - Padidinkite šulinio gyly.
2	Siurblys nedirba visu našumu.	A. Užsikimšo įsiurbimo groteles arba vamzdžiai. B. Susidėvėjo arba užsikimšo sparnuotė. C. Reikalaujamas slėgis viršija siurblio parametrus. D. Buvimas oro.	A. Pašalinkite kamštį arba ištiesinkite susiraičiusį vamzdį (žarną). B. Pakeiskite arba nuvalykite sparnuotę. C. Pakeiskite jį tokiu, kurio slėgis būtų aukštesnis. D. Palaukite ne mažiau kaip 1 minutę, kad jis būtų pašalintas.
3	Siurblys neišsijungia.	A. Plūdinis jungiklis neišjungia variklio.	A. Patikrinkite, ar plūdinis jungiklis juda laisvai.
4	Nepakankamas našumas.	A. Patikrinkite, ar iš dalies neužsikimšo įsiurbimo groteles. B. Patikrinkite, ar iš dalies neužsikimšo sparnuotė arba tiekimo vamzdis, ar juose nesusikaupė nuosėdų. C. Patikrinkite, ar iš dalies neužsikimšo atbulinis vožtuvas (jeigu yra).	A. Nuvalykite užsikimšusias dalis. B. Nuvalykite užsikimšusias dalis. C. Kruopščiai nuvalykite atbulinį vožtuvą.
5	Siurblys veikia trumpą laiką ir išsijungia.	A. Suveikia šiluminė amperometrinių apsauga, kuri išjungia siurbį.	A. Patikrinkite, ar persiurbiamas skystis nėra per tirštas, nes tai gali sukelti variklio perkaitimą. B. Patikrinkite, ar vandens temperatūra nėra per aukšta. C. Patikrinti, kad joks kietas kūnas neblokotų sparnuotės.

12. GARANTIJA



Bet kokios iš anksto nesuderintos modifikacijos, atliktos negavus gamintojo leidimo, atleidžia gamintoją nuo bet kokios atsakomybės. Visos atsarginės dalys, naudojamos atliekant taisymo darbus, turi būti originalios, visi priedai gali būti naudojami tik gavus gamintojo leidimą, siekiant užtikrinti didžiausią mašinų ir įrenginių, į kuriuos įmontuojamos šios dalys ir priedai, saugumą.

Šiam gaminiui galioja teisinė garantija (Europos Bendrijoje 24 mėnesius nuo įsigijimo dienos) visiems defektams, atsiradusiems dėl gamintojo kaltės ar dėl naudotų medžiagų.

Gaminys garantijos laikotarpiu gali būti pakeistas kitu puikiai veikiančiu įrenginiu arba nemokamai pataisytas tik tuo atveju, jeigu laikytasi šių sąlygų:

- gaminys naudotas tinkamai, laikantis instrukcijų, nei pirkėjas, nei tretieji asmenys jo nebandė taisyti;
- gaminys pristatytas į pirkimo vietą su pirkimą patvirtinančiais dokumentais (sąskaita faktūra arba kasos kvitu) ir glaustu pastebėtos problemos aprašymu.

Sparnuotei ir visoms kitoms nusidėvintiems dalims garantija negalioja. Pasinaudojus garantija, pradinis garantijos laikotarpis jokia būdu nepailgėja.

SATURA RĀDĪTĀJS

1. LIETOJUMI.....	58
2. SŪKNĒJAMIE ŠĶIDRUMI	58
3. TEHNISKĀS SPECIFIKĀCIJAS UN LIETOŠANAS IEROBEŽOJUMI.....	58
4. PĀRVALDĪBA	59
4.1 Uzglabāšana	59
4.2 Transportēšana	59
4.3 Svārs un izmēri.....	59
5. BRĪDINĀJUMS.....	59
6. UZSTĀDĪŠANA.....	59
7. ELEKTRISKAIS SAVIENOJUMS	60
8. IEDARBINĀŠANA.....	60
9. DROŠĪBAS BRĪDINĀJUMI	60
10. TEHNISKĀ APKOPE UN TĪRĪŠANA.....	60
10.1 Nosūkšanas režģa tīrīšana.....	61
10.2 Lāpstīgriteņa tīrīšana.....	61
11. TRAUCĒJUMMEKLĒŠANA	61
12. GARANTĪJA.....	61

BRĪDINĀJUMS



Pirms uzstādīšanas rūpīgi izlasiet visu dokumentāciju.



Pirms jebkuras rīcības atvienojiet kontaktdakšu. Jebkādā veidā izvairieties no darbības bez ūdens: sūknis tiek darbināts tikai tad, ja tas ir iegremdēts ūdenī. Ja tas tā nav, sūknis nekavējoties jāizslēdz, atvienojot to no elektrotīkla.

1. LIETOJUMI

Spēcīgs iegremdējams sūknis drenāžai, iztukšošanai un mazai apūdeņošanai; var izmantot ar netīru ūdeni, pat cietvielu suspensijas klātbūtnē, ar maksimālo izmēru līdz 38 mm. Sūkņi ir paredzēti lietošanai mājas apstākļos, ar manuālu vai automātisku vadību, pārplūdušu pagrabu un garāžu drenāžai, drenāžas nosēdītelpu sūknēšanai, savāktā lietus ūdens nosēdītelpu vai infiltrāciju no notekām sūknēšanai, u.c.

Pateicoties to kompaktajai formai un parocīgumam, tie arī ir ērti īpašiem lietojumiem, piemēram, kā portatīvie sūkņi avārijas gadījumā ūdens savākšanai no tvertnēm vai upēm, peldbaseinu un strūklaku iztukšošanai. Piemērots arī dārzkopībai un hobijskopumā.



Saskaņā ar spēkā esošajiem drošības noteikumiem, šos sūkņus nevar izmantot peldbaseinos, dīķos, ūdenskrātuvēs ar personu klātbūtni un, vai ogļūdeņražu (benzīna, dīzeļdegviela, degviellejā, šķīdinātāji u.c.) sūknēšanai. Tie nav paredzēti nepārtrauktai lietošanai, bet avārijas gadījumiem uz ierobežotu laiku. Pirms uzglabāšanas laba prakse ir nodrošināt tīrīšanas posmu. Skatīt nodaļu "Tehniskā apkope un tīrīšana".

2. SŪKNĒJAMIE ŠĶIDRUMI

Saldūdens	•
Lietusūdens	•
Tīri notekūdeņi	•
Netīrs ūdens	•
Neapstrādāti notekūdeņi, kas satur cietas vielas ar gareniskām šķiedrām	○
Strūklakas ūdens	•
Upju un ezeru ūdens	•
Dalījumu lielums, maks. [mm]	Ø 38

1.tabula

- Piemērots
- Nepiemērots

Hermētiskais sūknis jāiegremdē šķīdumā līdz 7 m dziļumam. Skatīt 3. tabulu.

3. TEHNISKĀS SPECIFIKĀCIJAS UN LIETOŠANAS IEROBEŽOJUMI

- Barošanas spriegums: 220-240V, skatiet elektrisko datu plāksnītes
- Līnijas aizkavētas darbības drošinātāji (220-240V versija): indikatīvās vērtības (ampēri)
- Uzglabāšanas temperatūra: -10°C +40°C

Līnijas 220-240V, 50Hz drošinātāji
3

2.tabula

LATVIEŠU

	Modelis	Netīrs ūdens drenāža
		P1=1000
Elektriskie dati	P1 Nominālais enerģijas patēriņš [W]	1000
	Tīkla spriegums [V]	220-240 AC
	Tīkla frekvence [Hz]	50
	Strāva [A]	4.2
	Kondensators [uF]	12.5
	Kondensators [Vc]	450
Santehnikas dati	Plūsma, maks. [l/min]	320
	Izplatība, maks. [m]	11
	Izplatība, maks. [bar]	1.1
	Maks. iegremdēšanas dziļums	7
	Iedarbināšanas augstums, min. AUTOM. [mm]	50
	Atlikušā ūdens augstums [mm]	50
Paredzētā lietošana	Strāvas kabeļa gar. [m]	10
	Tipo cavo	H07 RNF
	Motora aizsardzības pakāpe	IP X8
	Izolācijas klase	F
	Šķidrums temperatūras lauks [°C], atbilstoši EN 60335-2-41 prasībām, lietošanai mājas apstākļos	0 °C / +35 °C
	Daiļņu lielums, maks. [mm]	Ø 38
	Maks. vides temperatūra [°C]	+40 °C
Svars	DNM GAS	1" 1/2 F
	Neto/bruto svars apt. [kg]	8.2 / 10.1

3. tabula



Sūkņi, kas nav atbalstīti uz pamata, nevar izturēt cauruļu svaru, kurš jābalsta citādi.

4. PĀRVALDĪBA

4.1 Uzglabāšana

Visi sūkņi jāuzglabā slēgtā, sausā telpā ar pēc iespējas konstantu mitruma procentu, bez vibrācijām un putekļiem. Sūkņi pienāk savā oriģinālajā iepakojumā, kurā atrodas līdz to uzstādīšanai.

4.2 Transportēšana

Izvairoties izstrādājumus pakļaut nevajadzīgu triecienu un sadursmju ietekmei.

4.3 Svars un izmēri

Uzlīmē uz iepakojuma tiek norādīts elektriskā sūkņa kopējais svars un tā izmēri.

5. BRĪDINĀJUMS



Sūkņus nekad nedrīkst transportēt, celt vai paceltus darbināt ar strāvas kabeļa palīdzību; izmantojiet speciālu rokturi.

- Sūkņi nekad nedrīkst darbināt bez ūdens.
- Sūkņi jānovieto tā, lai netīrumi pilnībā vai daļēji neaizsprostotu caurumus iesūkšanas bāzē.
- Blīvēšanas ierīce satur netoksisku smērējļu, bet, kas var izmainīt ūdens raksturlielumus tīra ūdens gadījumā, ja sūkņim ir noplūde.
- Sūkņi ir aprīkoti ar motora termiskās pārslodzes aizsargu. Motora iespējamās pārkaršanas gadījumā motora termiskās pārslodzes aizsargs automātiski izslēdz sūkņi. Dzesēšanas laiks ir apmēram 15-20 min., un pēc tam sūkņi automātiski ieslēdzas no jauna. Pēc motora termiskās pārslodzes aizsarga nostrādāšanas ir absolūti nepieciešams atrast cēloni un novērst to. Skatīt nodaļu „Traucējummeklēšana”.

6. UZSTĀDĪŠANA

Pieskrūvējiet elkoni komplektācijā ietvertajam šļūtenes konektoram. Netīrā ūdens versijai ir pieejams tikai konektors 1”1/2 izmēru caurulēm, gadījumā, ja vēlaties izmantot caurules ar lielāku diametru, ir jānomaina stiprinājums ar elkoni. Turklāt, izmantojiet šļūteņu skavu, lai cauruli nostiprinātu uz konektora.

- Lai novērstu sūkņa veiktspējas samazināšanos un aizsērēšanas iespēju, ieteicams izmantot caurules ar minimālo 38 mm iekšējo diametru.
- Gadījumā, ja nosēdtilpnes dibenā, kur jāatbalsta sūkņi, ir daudz netīrumu, ir lietderīgi nodrošināt izvīrītu atbalstu, lai izvairītos no iekšējās aizsērēšanas (1. att.).
- Sūkņi pilnībā iegremdēt ūdenī.
- Nodrošināt, lai novietnes nosēdtilpnei būtu šādi minimālie izmēri:
Pamata izmēri, min. (mm) 400x400 / augstums, min. (mm) 400
- Pievērsiet uzmanību, lai pludiņš brīvi kustētos, atrodoties vismaz 5 cm no nosēdtilpnes sienas.

LATVIEŠU

- Nosēdtilpnes izmēriem vienmēr jāatbilst ieplūstošā ūdens daudzumam un sūkņa plūsmas ātrumam tā, lai motoru nepakļautu pārmērīgām starta reizēm/stundā, un ir cieši iesakāms nepārsniegt 20 starta reizes/stundā.



Sūknis jāuzstāda vertikālā stāvoklī!

7. ELEKTRISKAIS SAVIENOJUMS



Sūkņa strāvas kabeļa garums ierobežo maksimālo iegremdēšanas dziļumu, izmantojot sūkni. Ievērojiet datu plāksnītes un šīs instrukcijas 3. tabulas norādījumus.

8. IEDARBINĀŠANA

Ir divi darbības režīmi:

- MANUĀLAIS (A) REŽĪMS**

Sūkņus ar pludiņu var izmantot manuālajā režīmā, 2. att.

- Paceliet pludiņslēdzi tā, lai tas atrastos vertikāli virs sūkņa (ar kabeli apakšējā daļā) (a). Līdz pludiņslēdzis nav pacēlies, sūknis turpina darboties neatkarīgi no ūdens līmeņa.
- Pievienojiet strāvas vada kontaktdakšu elektrības kontaktligzdai 220-240V.
- Sūknis sāk darboties; pārliedzieties, vai tas ir iegremdēts izsūkņejamajā šķidrumā.

Uzmanieties, lai sūknis netiktu pārslēgts automātiskajā režīmā; sasniedzot minimālo līmeni, lietotājam tas jāpārslēdz manuālajā režīmā vai arī jāizvelk kontaktdakša vai jānolaiž pludiņš (automātiskais darbības režīms).

Nosūkņēšanas maksimālais līmenis tiek sasniegts tikai manuālā darbības režīma laikā, jo automātiskās darbības režīmā pludiņslēdzis aptur sūkni, nesasniedzot šo līmeni.

- AUTOMĀTISKAIS REŽĪMS (B)**

Modeļi, kas aprīkoti ar pludiņslēdzi, darbojas automātiski, ūdenslīmenim paceļoties, un izslēdzas, sasniedzot paredzēto minimālo līmeni (3. att.).

- Atbrīvojiet pludiņu, lai tas pārvietotos.
- Pievienojiet strāvas vada kontaktdakšu elektrības kontaktligzdai 220-240V.
- Kad pludiņš sasniedz līmeni ON (IESLĒGT), sūknis tiek palaists un darbojas, līdz tiek sasniegts līmenis OFF (IZSLĒGT).

Palaišanas/apturēšanas augstuma regulēšana.

(Lai uzzinātu minimālo iegremdēšanas un izņemšanas augstumu, skatiet nodaļu Tehniskie dati.)

Kabeļa garumam, no vienas puses jāļauj pludiņslēdzim brīvi pārvietoties un, no otras, jādrošina, lai tas neatbalstītos uz apakšējās daļas. Kabeļa daļa starp pludiņslēdzi un kabeļa skavas padziļinājumu nedrīkst būt īsāka par 10 cm. Jo īsāka ir kabeļa daļa starp pludiņslēdzi un kabeļa skavas padziļinājumu, jo mazāks ir iedarbināšanas augstums un lielāks apturēšanas augstums. Jūs varat mainīt nostiprināšanas vietu, piemēram, uz apakšējās aptveres, atbilstoši kabeļa garumam, sasniedzot zemāku apturēšanas un palaišanas līmeni (4. att.). Sūknis tiek piegādāts ar šļūtenes skavu (5. att.), kas nofiksē pludiņa kabeli un neļauj tam noslidēt no aptveres gadījumā, ja nolemjat pagarināt vai saīsināt pludiņa kabeli, attiecīgi pārvietojot aptinumu, ja nevarat nodrošināt tā nomaiņu. Vienfāzes motori ir aprīkoti ar termiskiem ampērmetra aizsargiem, un tos var pievienot tieši tīklam. NB: ja motors ir pārslogots, tas automātiski apstājas. Kad motors atdzisis, tas restartējas automātiski, bez nepieciešamības manuāli iejaukties.

Filtrs ir projektēts tā, lai varētu regulētu brīvu izplūdi no 30 mm līdz 5 mm; izmantojot ar tīru ūdeni, ir pietiekami vienkārši pagriezt un nolaist to.

9. DROŠĪBAS BRĪDINĀJUMI

SALA RISKS: Sūknim neatrodies darbībā pie temperatūras, kas zemāka par 0°C, jānodrošina, lai nebūtu atlikušā ūdens, kas veido apledojumu un tādejādi var rasties plaisas plastmasas detaļās.

Ja sūknis tiek izmantots ar vielām, kas veido nogulsnes, vai hlorētu ūdeni, pēc lietošanas izskalojiet to ar spēcīgu ūdens strūklu, lai neveidotos nogulsnes vai inkrustācijas, kas savukārt samazina sūkņa raksturlielumus.

10. TEHNISKĀ APKOPE UN TĪRĪŠANA

Elektriskajam sūknim normālas ekspluatācijas apstākļos nav nepieciešama tehniskā apkope. Jebkurā gadījumā, visi remonta un tehniskās apkopes darbi jāveic tikai pēc sūkņa atvienošanas no barošanas avota. Sūkni restartējot, pārliedzieties, vai nosūkšanas filtrs vienmēr ir uzstādīts tā, lai neradītu apdraudējumu vai nejauši nesaskartos ar kustīgajām daļām.

LATVIEŠU

10.1 Nosūkšanas režģa tīrīšana

(6. att.)

- Izslēgt sūkņa strāvas padevi.
- Veikt sūkņa drenāžu.
- Atskrūvēt montāžas skrūves uz filtra (B).
- Noņemt ieklūdes režģi (c).
- Notīrīt un uzstādīt režģi no jauna.

10.2 Lāpstīrīteņa tīrīšana

(7. att.)

- Izslēgt sūkņa strāvas padevi.
- Veikt sūkņa drenāžu.
- Atskrūvēt montāžas skrūves uz filtra (B).
- Noņemt ieklūdes režģi (c).
- Izskalot sūkni ar tīru ūdeni, lai atdalītu iespējamus piemaisījumus starp motoru un sūkņa uznavu (d).
- Notīrīt lāpstīrīteni (d).
- Pārbaudīt, vai lāpstīrītenis brīvi griežas.
- Montēt attiecīgās detaļas demontāžai pretējā secībā.

11. TRAUCĒJUMMEKLĒŠANA



Pirms sākt traucējummeklēšanu, nepieciešams atvienot elektriskos savienojumus (atvienot kontaktdakšu). Ja barošanas kabeļa vai sūkņa jebkura elektriskā daļa ir bojāta, tās remonts vai nomaiņa jāveic ražotājam vai tā tehniskās palīdzības pakalpojuma dienestam vai personai ar līdzvērtīgu kvalifikāciju, lai novērstu visus riskus.

PROBLĒMAS	PĀRBAUDES (iespējamie cēloņi)	RISINĀJUMI
1 Motors neiedarbinās un neizdod troksni.	A. Pārbaudīt, vai motors ir zem sprieguma. B. Pārbaudīt aizsardzības drošinātājus. C. Pludiņš neaktivizē slēdzi.	A. Pārbaudīt, vai kontaktdakša ir ievietota pareizi. B. Ja tā ir nolietojusies, nomainīt. C. -Pārbaudīt, vai pludiņš brīvi pārvietojas. Novietot to virzienā uz augšu. -Palielināt nosēdtīlpnes dziļumu.
2 Sūknis nenodrošina jaudu.	A. Ieklūdes režģis vai caurules ir aizsērējušas. B. Lāpstīrītenis ir nodilis vai aizsērējis. C. Nepieciešamā izplatība ir lielāka par sūkņa diapazonu. D. Gaisa klātbūtne.	A. Atbrīvoties no aizsērējumiem vai iztaisnot cauruli, ja tā ir sagriezusies. B. Nomainīt lāpstīrīteni vai atbrīvoties no aizsērējumiem. C. Nomainīt to ar augstākas izplatības. D. Uzgaidīt vismaz minūti, līdz tiek noņemti.
3 Sūknis neapstājas.	A. Pludiņš neizslēdz slēdzi.	A. Pārbaudīt, vai pludiņš brīvi pārvietojas.
4 Plūsmas ātrums ir nepietiekams.	A. Pārbaudīt, vai ieklūdes režģis nav pa daļai aizsērējis. B. Pārbaudīt, vai lāpstīrītenis vai piegādes caurules nav pa daļai aizsērējušas vai inkrustētas. C. Pārbaudīt, vai pretvārsts (ja tāds ir uzstādīts) nav pa daļai aizsērējis.	A. Atbrīvoties no visiem aizsērējumiem. B. Atbrīvoties no visiem aizsērējumiem. C. Rūpīgi iztīrīt pretvārstu.
5 Sūknis apstājas pēc īsa darbības laika.	A. Termiskā ampēmetra aizsargierīce aptur sūkni.	A. Pārliedzināties, vai šķidrums, kas jāsūknē, nav pārāk blīvs, jo tas izraisa motora pārkaršanu. B. Pārliedzināties, vai ūdens temperatūra nav pārāk augsta. C. Pārliedzināties, vai neviens ciets ķermenis nebloķē lāpstīrīteni.

12. GARANTĪJA



Jebkādas neatļautas modifikācijas atbrīvo ražotāju no jebkādas atbildības. Visām rezerves daļām, kuras izmanto remontam, jābūt oriģinālām un visām palīgierīcēm jābūt ražotāja apstiprinātām, lai varētu nodrošināt iekārtu un sistēmu maksimālu drošību vietās, kur tās var tikt uzstādītas.

Šim produktam ir piešķirtas juridiskās garantijas (Eiropas Kopienā 24 mēnešu laikā no iegādes datuma) attiecībā uz visiem trūkumiem saistībā ar ražošanas defektiem vai izmantoto materiālu.

Izstrādājums garantijas laikā, pēc saviem ieskatiem, vai nu tiek aizstāts ar tādu, kas ir labā darba kārtībā, vai tiek remontēts bez maksas, pamatojoties uz šādiem nosacījumiem:

- izstrādājums tika izmantots pareizi un saskaņā ar instrukcijām, un pircējs vai trešās personas nav mēģinājušas veikt remontu.
- izstrādājums tiek nodots pirkuma veikalā, pievienojot dokumentu, kas apliecina pirkumu (pārdošanas kvīti), un tā problēmas īsu aprakstu.

Garantija nesedz lāpstīrīteni un dilstošās daļas. Garantijas prasības nekādā veidā nav pagarināmas ilgāk par sākotnējo laikposmu.

INHOUD

1. TOEPASSINGEN	62
2. LIQUIDI POMPABILI.....	62
3. TECHNISCHE GEGEVENS EN GEBRUIKSBEPERKINGEN	62
4. BEHEER.....	63
4.1 Opslag.....	63
4.2 Transport.....	63
4.3 Gewicht en afmetingen	63
5. WAARSCHUWINGEN.....	63
6. INSTALLATIE	63
7. ELEKTRISCHE AANSLUITING.....	64
8. STARTEN.....	64
9. VOORZORGSMAATREGELEN	64
10. ONDERHOUD EN REINIGING	64
10.1 Reiniging van het aanzuigrooster.....	65
10.2 Pulizia della girante	65
11. PROBLEMEN OPSPOREN	65
12. GARANTIE	65

WAARSCHUWINGEN



Lees deze documentatie aandachtig door vóór de installatie.



Trek steeds de stekker uit het stopcontact alvorens enige interventie uit te voeren. Vermijd absoluut de droge werking: de pomp mag enkel worden aangeschakeld wanneer hij is ondergedompeld in het water. Wanneer het water is weggezogen moet de pomp onmiddellijk worden uitgeschakeld door de stekker uit het stopcontact te trekken.

1. TOEPASSINGEN

Krachtige pompompen voor draineren, ledigen en kleinschalige irrigatie; ze kunnen ook met vuil water met maximaal 38 mm grote voorwerpen in suspensie gebruikt worden. Pompen voor huishoudelijk gebruik, met manuele of automatische werking, voor het droogleggen van kelders en ondergrondse garages die kunnen onderlopen, voor het leegpompen van zinkputten, straatkolken of regenwaterputten aangesloten op dakgoten, enz. Dankzij hun compacte, goed te hanteren vorm kunnen deze pompen ook worden gebruikt als draagbare pompen voor bijzondere toepassingen in noodgevallen, zoals het oppompen van water uit tanks of rivieren, het leegpompen van zwembaden en fonteinen of van afgravingen en onderdoorgangen. De pomp is ook geschikt voor tuinieren en hobby's in het algemeen.



Volgens de normen voor ongevalpreventie die op dit gebied van kracht zijn, mogen deze pompen niet worden gebruikt in zwembaden, vijvers, bassins waar zich mensen bevinden, of voor het pompen van koolwaterstoffen (benzine, gasolie, stookolie, oplosmiddelen enz.). Zij werden niet ontworpen voor continu gebruik, maar voor gebruik in noodsituaties met beperkte duur. Maak de pomp schoon alvorens ze terug op te bergen: zie hoofdstuk "Onderhoud en Schoonmaak".

2. POMPBARE VLOEISTOFFEN

Schoon water	•
Regenwater	•
Grijs afvalwater	•
Afvalwater	•
Ongezuiverd verontreinigd water dat vaste voorwerpen met lange vezels bevat	o
Fonteinwater	•
Water van rivieren of meren	•
Max. afmetingen deeltjes [mm]	Ø 38

Tabel 1

- Geschikt
- o Niet geschikt

De pomp is waterdicht en moet in de vloeistof worden ondergedompeld tot op een max. diepte van 7 m. Zie Tabel 3.

3. TECHNISCHE GEGEVENS EN GEBRUIKSBEPERKINGEN

- **Voedingsspanning:** 220-240V, zie het plaatje met elektriciteitsgegevens
- **Vertraagde lijnzekerings (versie van 220-240V):** waarden bij benadering (ampère)
- **Temperatuurbereik van de vloeistof:** -10°C +40°C

Lijnzekerings 220-240V 50Hz
3

Tabel 2

NEDERLANDS

	Model	Drainage Afvalwater
		P1=1000
Elektrische gegevens	P1 Nominaal opgenomen vermogen [W]	1000
	Netspanning [V]	220-240 AC
	Netfrequentie [Hz]	50
	Stroom [A]	4.2
	Condensator [μ F]	12.5
	Condensator [Vc]	450
Hydraulische gegevens	Max. debiet [l/min]	320
	Max. opvoerhoogte [m]	11
	Max. opvoerhoogte [bar]	1.1
	Max. dompeldiepte [m]	7
	Min. hoogte start AUT [mm]	50
	Hoogte resterend water [mm]	50
Toepassingsgebieden	Lengte voedingskabel [m]	10
	Soort kabel	H07 RNF
	Beschermingsgraad motor	IP X8
	Isolatieklasse	F
	Temperatuurrange vloeistof [°C] volgens EN 60335-2-41 voor huishoudelijk gebruik	0 °C / +35 °C
	Max. afmetingen deeltjes [mm]	Ø 38
	Max. omgevingstemperatuur [°C]	+40 °C
Gewicht	DNM GAS	1" 1/2 F
	Netto/brutogewicht [kg]	8.2 / 10.1

Tabel 3



Als de pomp geen ondersteuning heeft kan hij het gewicht van de leidingen niet dragen; dit gewicht moet derhalve op een andere manier worden ondersteund.

4. BEHEER

4.1 Opslag

Alle pompen moeten worden opgeslagen in een overdekte, droge ruimte met een zo mogelijk constante luchtvochtigheid, zonder trillingen en stof. Ze worden geleverd in hun oorspronkelijke verpakking, waarin ze tot aan het moment van installatie moeten blijven.

4.2 Transport

Voorkom dat er onnodig tegen de producten wordt gestoten en gebotst.

4.3 Gewicht en afmetingen

De sticker aangebracht op de verpakking vermeldt het totaalgewicht en de afmetingen van de elektropomp.

5. WAARSCHUWINGEN



De pompen mogen niet worden verplaatst, worden opgeheven of werken terwijl ze opgehangen zijn aan de voedingskabel. Gebruik hiervoor enkel het specifiek handvat.

- De pomp mag nooit droog draaien.
- De pomp moet zodanig geplaatst zijn dat de openingen van de aanzuigvoet niet geheel of gedeeltelijke door vuil verstopt raken.
- De afdichting bevat een niet-giftig smeermiddel, dat echter de eigenschappen van het water kan aantasten (als het gaat om zuiver water) in het geval dat de pomp zou lekken.
- De pomp is voorzien van een thermische motorbeveiliging. In geval van een eventuele oververhitting van de motor, stopt de thermische motorbeveiliging de pomp automatisch. Na een afkoeltijd van ongeveer 15-20 minuten gaat de pomp automatisch weer aan. Na inwerkingtreding van de thermische motorbeveiliging, moet in ieder geval de oorzaak daarvan opgespoord en verholpen worden. Raadpleeg Het Opsporen van Storingen.

6. INSTALLATIE

Draai de elleboogbuis met slangaansluiting, aanwezig in de verpakking, vast. De versie voor vuil water beschikt enkel over een aansluiting voor buizen met afmeting 1"1/2. Indien men een buis wenst te gebruiken met grotere diameter, dan moet de elleboogbuis worden vervangen. Gebruik tevens een klemring om de buis te bevestigen aan de aansluiting.

- Het gebruik van buizen met een interne diameter van minstens 38 mm wordt aanbevolen, om de vermindering van de pomp prestaties en het ontstaan van verstoppingen te vermijden.
- Indien de putbodem waarop de pomp steunt erg vuil is, is het nuttig een verhoogde steun te plaatsen om te vermijden dat het rooster aan de aanzuigzijde verstopt wordt (Fig.1).

- Dompel de pomp volledig in het water.
- De put moet de volgende minimale afmetingen hebben:
Min. afmetingen basis min. (mm) 400x400 / min. hoogte (mm) 400
- De vlotter moet vrij kunnen bewegen, laat minstens 5 cm afstand tot de wand van de put.
- De afmetingen van de put moeten steeds in verhouding zijn met de hoeveelheid aangevoerd water en het pompdebiet, zodat de motor niet te vaak moet opstarten per uur. Het wordt strikt aanbevolen om niet meer dan 20 keer op te starten per uur.



De pomp moet worden geïnstalleerd in verticale positie

7. ELEKTRISCHE AANSLUITING



De lengte van de voedingskabel die op de pomp aanwezig is beperkt de maximale dompediepte bij het gebruik van de pomp zelf. Respecteer de aanduidingen op het typeplaatje en in deze handleiding, tabel 3.

8. STARTEN

Er bestaan twee werkmodi:

• MANUEEL (A)

De elektropompen zijn voorzien van een vlotter, maar kunnen tevens in de manuele werkmodus werken, zie Afbeelding.2

- 1) Bevestig de vlotterschakelaar zodat hij in een verticale positie blijft boven de pomp (met de kabel naar beneden)
 - (a). Zolang de vlotterschakelaar omhoog blijft, blijft de pomp werkzaam onafhankelijk van het waterpeil.
- 2) Steek de stekker van de voedingskabel in een 220-240V stopcontact.
- 3) De pomp zal nu beginnen werken: controleer dat ze steeds is ondergedompeld in de aan te zuigen vloeistof.

Let op: de pomp zal niet automatisch uitschakelen. Eens het minimumpeil werd bereikt moet de gebruiker de pomp manueel uitschakelen of de stekker uit het stopcontact verwijderen of de vlotter terug omlaag brengen (automatische werking). Het maximum aanzuigpeil wordt enkel bereikt tijdens de manuele werking. In de automatische werking zal de vlotterschakelaar de pomp stoppen alvorens dit peil wordt bereikt.

• AUTOMATISCH (B)

De modellen uitgerust met een vlotterschakelaar worden automatisch in werking gesteld wanneer het waterpeil stijgt en zullen analoog worden uitgeschakeld wanneer het minimumpeil wordt bereikt (Afbeelding.3).

- 1) Zorg ervoor dat de vlotter vrij kan bewegen.
- 2) Steek de stekker van de voedingskabel in een 220-240V stopcontact.
- 3) Wanneer de vlotter het ON-peil heeft bereikt zal de pomp worden opgestart en blijven werken totdat het OFF-peil werd bereikt.

Afstellen hoogte start/stop:

(Raadpleeg het hoofdstuk Technische Gegevens om de minimumhoogte voor aan- en uitschakeling te kennen.)

De kabellengte moet enerzijds voldoende zijn om ervoor te zorgen dat de vlotterschakelaar vrij kan bewegen en anderzijds vermijden dat deze zich op de bodem ophoopt. Het stukje kabel tussen de vlotterschakelaar en kabelstopgroef mag niet korter zijn dan 10 cm. Hoe korter het stukje kabel tussen vlotterschakelaar en kabelstopgroef, hoe lager de starthoogte en hoe hoger de stophoogte. Het bevestigingspunt kan worden gewijzigd, bijvoorbeeld tot op de onderste clip. Met eenzelfde lengte zal dan een lagere stop- en starthoogte worden bekomen (Afbeelding.4). De pomp is voorzien van een klemring (Afbeelding. 5) voor bevestiging van de vlotterkabel en ter vermindering van de verplaatsing van de clip. Indien men het vrije deel van de vlotterkabel wenst te verlengen of verkorten moet de klemring op analoge wijze worden verplaatst. Indien dit niet mogelijk is moet hij worden vervangen. De eenfasemotoren zijn uitgerust met een ingebouwde thermische en amperometrische beveiliging en kunnen rechtstreeks worden uitgerust op het voedingsnet. NB: de motor stopt automatisch bij overbelasting. Na afkoeling start hij automatisch terug op zonder dat er interventies vereist zijn. De filter werd zo ontworpen dat er een vrije doorgang is van 30 mm tot 5 mm. Bij gebruik in schoon water volstaat het hem te verdraaien en omlaag te brengen.

9. VOORZORGSMAATREGELEN

BEVRIEZINGSGEVAAR: wanneer de pomp buiten werking blijft bij een temperatuur lager dan 0°C, moet men er voor zorgen dat er geen waterresten in de pomp kunnen bevriezen, waardoor er barsten zouden kunnen ontstaan in de plastic onderdelen.

Indien de pomp werd gebruikt met vloeistoffen die neerslaan of met bleekwater, dan moet ze na gebruik worden gespoeld met behulp van een krachtige waterstraal, om neerslag- of korstvorming te vermijden, wat zou leiden tot de vermindering van de pomp prestaties.

10. ONDERHOUD EN REINIGING

Bij de normale werking vereist de elektropomp geen enkel onderhoud. In ieder geval mogen alle reparaties en onderhoudswerkzaamheden pas worden uitgevoerd nadat de pomp is afgekoppeld van het voedingsnet.

Verzeker u er bij het starten van de pomp altijd van dat het aanzuigfilter gemonteerd is, zodat er geen gevaar of mogelijkheid bestaat van toevallige aanraking van de bewegende onderdelen.

10.1 Reiniging van het aanzuigrooster

(Afbeelding.6)

- De elektrische voeding van de pomp uitschakelen.
- De pomp aftappen.
- Draai de bevestigingsschroeven op de filter **(b)** los.
- Het aanzuigrooster verwijderen **(c)**.
- Het aanzuigrooster reinigen en weer terugplaatsen.

10.2 Reiniging van de rotor

(Afbeelding.7)

- De elektrische voeding van de pomp uitschakelen.
- De pomp aftappen.
- Draai de bevestigingsschroeven op de filter **(b)** los.
- Het aanzuigrooster verwijderen **(c)**.
- De pomp afwassen met schoon water om vuil dat mogelijk tussen de motor en de pompmantel zit te verwijderen **(d)**.
- De rotor schoonmaken **(d)**.
- Controleren of de rotor vrij kan draaien.
- De onderdelen in elkaar zetten door de demontagewerkzaamheden omgekeerd uit te voeren.

11. PROBLEMEN OPSPOREN



Voordat begonnen wordt met het opsporen van storingen, moet de pomp eerst losgekoppeld worden van het elektriciteitsnet (door de stekker uit het stopcontact te halen). Indien de voedingkabel of een elektrisch onderdeel van de pomp beschadigd zijn, mogen deze alleen door de fabrikant of diens technische klantenservice of door een iemand met gelijke bevoegdheid.

STORINGEN		CONTROLES (mogelijke oorzaken)	OPLOSSINGEN
1	De motor start niet en maakt geen geluiden.	A. Controleren of er spanning op de motor staat. B. De veiligheidszekeringen controleren. C. De schakelaar wordt niet geactiveerd door de vlotter.	A. Controleer dat de stekker correct in het stopcontact steekt. B. Hen vervangen als ze doorgebrand zijn. C. - Nagaan of de vlotter vrij kan bewegen. Breng hem omhoog. - De diepte van de put vergroten.
2	Het debiet van de pomp is onvoldoende.	A. Het aanzuigrooster of de leidingen zitten verstopt. B. De rotor is versleten of zit verstopt. C. De vereiste opstuwhoogte is hoger dan de prestaties die de pomp kan leveren. D. Aanwezigheid lucht.	A. Verwijder de belemmeringen of plaats de gekronkelde buis terug recht. B. De rotor vervangen of de verstopping opheffen. C. Vervang de pomp met één met een hogere opvoerhoogte. D. Wacht minstens 1 minuut totdat de lucht wordt verwijderd.
3	De pomp stopt Niet.	A. De schakelaar wordt niet gedeactiveerd door de vlotter.	A. Nagaan of de vlotter vrij kan bewegen.
4	Het debiet is Onvoldoende.	A. Nagaan of het aanzuigrooster niet gedeeltelijk verstopt zit. B. Nagaan of de rotor of de persleiding niet gedeeltelijk verstopt zitten of aangekoekt zijn. C. Controleren of de terugslagklep (indien aanwezig) niet gedeeltelijk verstopt zit.	A. Eventuele verstoppingen opheffen. B. Eventuele verstoppingen opheffen. C. De terugslagklep grondig schoonmaken.
5	De pomp stopt na korte tijd te hebben gewerkt.	A. De thermische/ampère-metrische beveiliging laat de pomp stoppen.	A. Nagaan of de te pompen vloeistof geen te grote dichtheid heeft, want daardoor raakt de motor oververhit. B. Controleren of de temperatuur van het water niet te hoog is. C. Controleer of de waaier niet door een vast lichaam geblokkeerd wordt.

12. GARANTIE



Elke wijziging waarvoor geen voorafgaande toestemming verkregen is, ontheft de fabrikant van iedere verantwoordelijkheid. Alle vervangingsonderdelen die worden gebruikt bij reparaties moeten originele onderdelen zijn, en alle accessoires moeten geautoriseerd zijn door de fabrikant, zodanig dat de maximale veiligheid van de machines en van de installaties waarop zij gemonteerd kunnen worden, wordt gewaarborgd.

Dit product wordt gedekt door een wettelijk voorziene garantie (in de Europese Gemeenschap gedurende 24 maanden, met ingang op de aankoopdatum) voor alle storingen te wijten aan fabricagefouten of gebruikt materiaal.

Het product kan gratis worden vervangen door een perfect werkend product of gratis worden hersteld wanneer de volgende condities zich voordoen:

- Het product correct werd gebruikt, conform de instructies en er geen poging werd ondernomen voor herstelling door de koper zelf of derden.
- Het product werd overhandigd aan het verkooppunt, samen met het aankoopbewijs (factuur of kassabon) en een korte beschrijving van het opgetreden probleem.

Het vliegwiel en de onderdelen onderhevig aan slijtage worden niet gedekt door de garantie. De uitvoering van interventies tijdens de garantietermijn resulteert nooit in de verlenging van deze periode.

INNHOLDSFORTEGNELSE

1. ANVENDELSER.....	66
2. VÆSKER SOM KAN PUMPES	66
3. TEKNISKE SPESIFIKASJONER OG BEGRENSNINGER FOR BRUK.....	66
4. BEHANDLING.....	67
4.1 Lagring	67
4.2 Transport	67
4.3 Vekt og dimensjoner	67
5. ADVARSLER	67
6. INSTALLASJON	67
7. ELEKTRISK TILKOPLING	68
8. OPPSTART	68
9. FORHOLDSREGLER.....	68
10. VEDLIKEHOLD OG RENGJØRING	68
10.1 Rengjøring av innsugsristen.....	69
10.2 Rengjøring av impelleren	69
11. PROBLEMLØSNING	69
12. GARANTI	69

ADVARSLER



Før du installerer, les all dokumentasjonen nøye.



Før man gjør inngrep, uansett art, trekk ut kontakten. Unngå enhver form for tørrkjøring: Pumen må kun settes i gang når den nedsenket i vannet. Hvis det går tomt for vann, må pumpen umiddelbart slås av ved å koble den fra strømmettet.

1. ANVENDELSER

Kraftige, nedsenkable pumper for drenering og tømning og vanning i mindre målestokk. Den kan brukes på skittent vann, selv når det er faste partikler på en størrelse opp til maksimalt 38 mm i vannet.

Pumper for husholdningsbruk, med manuell eller automatisk drift, for å drenere kjellere og garasjer om har vært utsatt for flom; for pumping av dreneringsbrønner, pumping av regnvannsbrønner, eller infiltrasjoner fra takrenner, osv.

Takket være den kompakte og enkle formen, kan de også brukes som bærbare pumper for alle ulike typer nødssituasjoner som for eksempel pumping av vann fra vanntanker eller elver, tømning av svømmebasseng og fontener, eller utgravninger eller underganger. Også egnet til hagearbeid og hobbyarbeid generelt.



Disse pumpene kan ikke brukes i svømmebasseng, dammer, reservoarer der det er personer tilstede, eller til å pumpe hydrokarboner (bensin, diesel, fyringsoljer, løsemidler, etc.) i samsvar med gjeldende sikkerhetsforskrifter. De er ikke utformet for kontinuerlig bruk, men til bruk i nødssituasjoner for en begrenset periode. Før man setter pumpen på lager, anbefales det å rengjøre den. Se kapitlet «Rengjøring og vedlikehold».

2. VÆSKER SOM KAN PUMPES

Ferskvann	•
Regnvann	•
Klart vann uten avfallsstoffer	•
Skittent vann	•
Vann/avløpsvann som har mye fast råavfall med lange fibre	○
Fontenevann	•
Vann fra elver eller innsjøer	•
Partikkelstørrelse maks. [mm]	Ø 38

Tabell 1

- Egnet
- Ikke egnet

Pumpen er vanntett og må være nedsenket i væsken til en dybde på inntil 7 m. Se tabell 3.

3. TEKNISKE SPESIFIKASJONER OG BEGRENSNINGER FOR BRUK

- **Forsyningsspennning:** 220-240V, se skiltet med elektriske data
- **Forsinkede kurssikringer (versjon 220-240V):** referanseverdier (Ampere)
- **Lagringstemperatur** : -10° C +40° C

Kurssikringer 220-240V
50 Hz
3

Tabell 2

NORSK

	Modell	Drenering Skittent vann
		P1=1000
Elektriske data	P1 Nominelt strømforbruk [W]	1000
	Nettspenning [V]	220-240V AC
	Nettfrekvens [Hz]	50
	Strøm [A]	4.2
	Kondensator [uF]	12.5
	Kondensator [Vc]	450
Hydrauliske data	Makskapasitet [l/t]	320
	Maks trykkehøyde [m]	11
	Maks trykkehøyde [bar]	1.1
	Maks nedsenkningsdybde [m]	7
	Minimums starthøyde. AUT [mm]	50
	Høyde gjenværende vann [mm]	50
Bruksområde	Lengde strømkabel [m]	10
	Type kabel	H07 RNF
	Beskyttelsesgrad motor	IP X8
	Isolasjonsklasse	F
	Område for væsketemperatur [° C] ifølge standarden EN 60335-2-41 for hjemmebruk	0 °C / +35 °C
	Partikkelstørrelse maks. [mm]	Ø 38
	Maks omgivelsestemperatur [°C]	+40 °C
Vekt	DNM GASS	1" 1/2 F
	Nettovekt/bruttovekt ca. [kg]	8.2 / 10.1

Tabell 3



Pumpen når den ikke er støttet av en base, kan ikke bære vekten av rørene/slangen, så disse må støttes opp på annen måte.

4. BEHANDLING

4.1 Lagring

Alle pumper må oppbevares innendørs, på et tørt sted, om mulig ved jevn luftfuktighet, uten vibrasjoner og støv. De leveres i originalemballasjen og må fortatt oppbevares der helt til installasjonstidspunktet.

4.2 Transport

Unngå å utsette produktene for unødvendige støt og slag.

4.3 Vekt og dimensjoner

Den selvklebende etiketten på emballasjen har angivelser om den totale vekten på den elektriske pumpen, og dimensjonene.

5. ADVARSLER



Pumpene må aldri transporteres, løftes, eller henges opp ved hjelp av strømledningen. Bruk istedet håndtaket.

- Pumpen må aldri tørrkjøres.
- Pumpen må plasseres slik at åpningen til sugebasen ikke er tilstoppet, verken helt eller delvis av smuss.
- Tetningsinnretningen inneholder smøremiddel som ikke er giftig, men som kan endre egenskapene til vannet, i de tilfellene man har rent vann, hvis pumpen skulle lekke.
- Pumpen er utstyrt med et termisk overbelastningsvern. Ved en eventuell overoppheting av motoren, vil overbelastningsvernet slå av pumpen automatisk. Kjølertiden er ca. 15-20 minutter, etter dette slår pumpen seg på igjen automatisk. Etter inngrep fra overbelastningsvernet er det helt nødvendig å finne årsaken, og eliminere den. Konsulter Problemløsningskapittelet.

6. INSTALLASJON

Skru på vinkelleddet på slangefestet som finnes i emballasjen. For versjonen for skittent vann, er kun kobling for 1"1/2 slanger tilgjengelig. Dersom man ønsker å bruke slanger med større diameter, bytter man ut vinkelleddet. Dersom man ønsker å bruke slanger med større diameter, bytter man ut vinkelleddet. I tillegg bør man bruke en slangeklemme for å feste slangen til tilkoblingsenheten.

- Det anbefales å bruke slanger med en indre diameter på 38 mm, for å unngå at pumpeytelsene reduses og faren for tilstopping øker.
- I de tilfellene, der bunnen av brønnen som pumpen må plasseres på, er svært skitten, anbefales det å sørge for en støtteplattform for å unngå tilstopping av sugegitteret (fig.1).
- Senk pumpen helt ned i vannet.
- Sørg for at gropen/brønnen den plasseres i minst har følgende minstemål:

Grunnleggende mål min. (mm) 400x400 / Min. (mm) 400

- Vær forsiktig slik at flottøren kan flyte fritt, og la det være minst 5 cm fra siden i gropen/brønnen.
- Brønnen/gropen må alltid være tilpasset den vannmengden som kommer, og kapasiteten til pumpen, slik at ikke motoren utsettes for hyppige oppstarter per time. Det anbefales på det sterkeste å ikke overstige 20 oppstarter per time.



Pumpen må kun installeres i vertikal stilling!

7. ELEKTRISK TILKOPLING



Lengden av strømkabelen på pumpen begrenser den maksimale dybden pumpen kan nedsenkes til når man bruker den. Følg anvisningene på det tekniske dataskiltet, og i denne håndboken, tabell 3.

8. OPPSTART

De finnes to funksjonsmodus:

• **MANUELL (A)**

Pumpene kan, selv med flottør, brukes manuelt Fig.2

- 1) Fest flottørbryteren slik at den befinner seg loddrett over pumpen (med kabelen under) (a). Så lenge flottørbryteren forblir hevet, vil pumpen fungerer uavhengig av vannivået.
- 2) Sett støpslet til strømledningen inn i en 220-240V kontakt.
- 3) Pumpen vil bli satt i drift. Sørg for at den er nedsenket i den væsken som skal pumpes.

Vær forsiktig, pumpen vil ikke slå seg av automatisk. Når man var nådd minimumsnivå, må den slås av av manuelt av brukeren, enten ved å trekke ut støpslet, eller ved å senke flottørbryteren (automatisk).

Maksimalt sugenivå vil kun oppnås ved manuell drift, fordi man ved automatisk drift, vil flottørbryteren stanse pumpen før dette nivået oppnås.

• **AUTOMATISK (B)**

Modeller med flottørbryter vil bli satt i drift automatisk når vannivået stiger, og vil synke når man oppnår forventet minimumsnivå (se figur 3).

- 1) La flyttørbryteren ha fri bevegelse.
- 2) Sett støpslet til strømledningen inn i en 220-240V kontakt.
- 3) Når flottøren når ON-nivået vil pumpen settes i drift, og vil fortsette å fungere, helt den når nivået OFF.

Justering av start/stopp-høyde:

(Hvis du vil vite minimumsverdiene for tilkopling og frakopling, se kapittelet Tekniske data.)

Kabellengden bør på den ene siden gjøre det mulig for flottørbryteren å bevege seg fritt, og samtidig unngå at den legger seg flatt på bunnen. Lengden på kabelen mellom flottør og den kabelklemmeåpningen må ikke være under enn 10 cm. Jo kortere lengden av kabelen er mellom flottør og kabelklemmeåpning, jo lavere vil tilkoplingshøyden, og høyere vil frakoplingshøyden være. Man kan endre festepunkt, for eksempel det lavere festet, noe som gjør at man med samme lengde, vil få et lavere tilkoplingsnivå (figur 4). Pumpen er utstyrt med en slangeklemme (fig. 5) som fester kabelen til flottørbryteren og unngår at kabelen glir inne i klammen. Dersom man ønsker å forlenge eller forkorte den løse delen av kabelen for flottørbryteren, må man flytte slangeklemmen tilsvarende, dersom det ikke er mulig å bytte den. Motorene er enfasemotorer med innebygd termo-ampereometrisk beskyttelse, og de kan kobles direkte til strømforsyningen. NB: hvis motoren er overbelastet vil vi gjøre automatisk. Når den kjøles ned igjen, vil den starte igjen automatisk, uten behov for manuelle inngrep.

9. FORHOLDSREGLER

FARE FOR FROST: Når pumpen ikke fungerer ved temperaturer under 0 °C, må du sørge for at det ikke er vannrester tilstede, som når de fryser kan danne sprekker i plastdeler.

Hvis pumpen har vært brukt sammen med stoffer som har en tendens til å danne avleiringer, eller sammen med klorvann, skyll etter bruk med en kraftig vannstråle, for å unngå dannelse av avleiringer og belegg som kan redusere ytelsene til pumpen.

10. VEDLIKEHOLD OG RENGJØRING

Den elektriske pumpen krever ved normal drift ingen type vedlikehold. Alle reparasjoner og vedlikehold må uansett kun utføres etter at man har koblet pumpen fra strømforsyningen. Når du starter pumpen, sørg for at det alltid er et sugefilter påmontert, for å unngå faresituasjoner og mulig utilsiktet kontakt med bevegelige deler.

NORSK

10.1 Rengjøring av innsugsristen

(Fig. 6)

- Koble fra strømforsyningen til pumpen.
- La pumpen tømmes.
- Løsnepåfilterets festeskruer (b).
- Fjern risten på innsuget (c).
- Rengjør og monter risten på innsuget tilbake på plass.

10.2 Rengjøring av impelleren

(Fig. 7)

- Koble fra strømforsyningen til pumpen.
- La pumpen tømmes.
- Løsn på filterets festeskruer (b).
- Fjern risten på innsuget (c).
- Skyll pumpen med rent vann for å fjerne eventuelle urenheter mellom motoren og pumpehylsen (d).
- Rengjør løpehjulet (d).
- Kontroller at impelleren kan rotere fritt.
- Monter delene i motsatt rekkefølge i forhold til demonteringen.

11. PROBLEMLØSNING



Før du starter feilsøk og problemløsning, er nødvendig å koble fra all strømforsyning (ta ut støpslet). Hvis noen del av strømkabelen eller de elektriske delene av pumpen er skadet, må alle reparasjoner og erstatningen utføres av produsenten, eller teknisk assistanse tjeneste eller en person med tilsvarende, eller av en person med lignende kvalifikasjoner, slik at all risiko unngås.

PROBLEMER		KONTROLLER (mulige årsaker)	LØSNINGER
1	Motoren vil ikke starte og lager ikke lyd.	A. Kontroller at motoren er spenningsførende. B. Kontroller sikringene. C. Bryteren blir ikke aktivert av flottøren.	A. Kontroller at støpslet er korrekt innført. B. Skift dersom sikringen er sprenget. C. - Sjekk også at flottøren beveger seg fritt. Plasser den oppovervendt. - Øk dybden i gropen/brønnen.
2	Pumpen leverer ikke væske.	A. Risten på innsuget eller slangene er tilstoppet. B. Impelleren er slitt eller blokkert. C. Den nødvendige trykkhøyden er høyere enn kapasiteten til pumpen. D. Det er luft tilstede.	A. Fjerne hindringer, eller rett på slangen dersom den er vridd. B. Bytt ut impelleren eller fjern hundringene. C. Bytt ut med en med høyere trykkhøyde. D. Vent i minst 1 minutt til de er fjernet.
3	Pumpen stanser ikke.	A. Bryteren blir ikke deaktivert av flottøren.	A. - Sjekk at flottøren beveger seg fritt.
4	Sugevolumet er utilstrekkelig.	A. Sjekk at ikke risten på innsuget er delvis tilstoppet. B. Sjekk at impelleren eller leveringsslangen ikke er delvis tilstoppet eller har avleiringer. C. Kontroller at holdeventilen (hvis denne er tilstede) ikke er delvis tilstoppet.	A. Fjern eventuelle tilstoppinger. B. Fjern eventuelle tilstoppinger. C. Rengjør holdeventilen nøye.
5	Pumpen stopper etter å ha vært i drift en kort tid.	A. Den amperometriske termobeskyttelsen stanser pumpen.	A. Pass på at væsken som skal pumpes ikke er for tykk, fordi dette vil føre til at motoren overopphetes. B. Sjekk at vanntemperaturen ikke er for høy C. Kontroller at ingen faste elementer blokkerer impelleren.

12. GARANTI



Enhver endring som ikke på forhånd er autorisert, vil frata produsenten ethvert ansvar. Alle reservedeler som brukes til reparasjoner må være originaldelene, og alt tilbehør må være godkjent av produsenten, slik at du kan sikre maksimal sikkerhet for maskiner og systemer som disse kan være påmontert.

Dette produktet er dekket av en juridisk garanti (i Det europeiske fellesskapet, i 24 måneder fra kjøpsdato) for alle feil som skyldes produksjonsfeil eller materialene som er blitt brukt.

Produktgarantien vil etter skjønn kunne være enten erstatning med en enhet som er i perfekt stand, eller kostnadsfri reparasjon, dersom følgende vilkår overholdes:

- produktet har blitt håndtert på riktig måte og i samsvar med anvisningene, og det ikke er gjort noe forsøk på å reparere av kjøperen selv, eller tredjeparter.
- produktet har blitt levert til butikken der den ble kjøpt, sammen med dokumenter som bekrefter kjøpet (kvitteing), og en kort beskrivelse av problemet.

Impelleren og deler som er utsatt for slitasje, dekkes ikke av garantien. Garantikravet vil ikke på noen måte forlenge den opprinnelige garantiperioden.

SPIS TREŚCI

1. ZASTOSOWANIA	70
2. POMPOWANE CIECZE	70
3. DANE TECHNICZNE I OGRANICZENIA W ZASTOSOWANIU	70
4. ZARZĄDZANIE	71
4.1 Przechowywanie	71
4.2 Transport	71
4.3 Waga i wymiary	71
5. OSTRZEŻENIA	71
6. INSTALOWANIE	71
7. PODŁĄCZENIE ELEKTRYCZNE	72
8. URUCHOMIENIE	72
9. ŚRODKI OSTROŻNOŚCI	72
10. KONSERWACJA I CZYSZCZENIE	72
10.1 Czyszczenie kratki zasysania	73
10.2 Czyszczenie wirnika	73
11. WYKRYWANIE USTEREK	73
12. GWARANCJA	73

OSTRZEŻENIA



Przed przystąpieniem do instalowania uważnie całą dokumentację.

Przed do przeczytać



Przed każdą interwencją odłączyć wtyczkę. Unikać w sposób kategoriyczny funkcjonowania na sucho: pompa może być włączona wyłącznie, jeżeli jest zanurzona w wodzie. Jeżeli woda się wyczerpie, pompa musi być natychmiast wyłączona, wyciągając wtyczkę z prądu.

1. ZASTOSOWANIA

Pompy zanurzeniowe o dużej mocy do drenowania, opróżniania i do niewielkiego nawadniania; mogą być stosowane do brudnych wód, także w obecności ciał zawieszonych maksymalnie o wielkości, aż do 38 mm.

Pompy do domowego użytku, z funkcjonowaniem manualnym i automatycznym, do osuszania piwnic i garaży podatnych na zalania, do wypompowania zbiorników drenażowych, wypompowania studzienek zbiorczych z wodą deszczową lub infiltracji pochodzących z rynien, itd.

Dzięki kompaktowej i zwrotnej budowie pompy znajdują także specjalne zastosowania, jako pompy podręczne przenośne w nagłych wypadkach, takich jak, pobieranie wody ze zbiorników lub rzek, opróżniania basenów i fontann lub wykopalisk lub przejść podziemnych. Nadają się także do zastosowania w ogrodnictwie i do innych celów hobbistycznych.



Pompy te nie mogą być używane w basenach, stawach, zalewach, w których przebywają ludzie, lub do pompowania węglowodorów (benzyna, olej gazowy, olej napędowy, rozpuszczalniki, itd.) zgodnie z odnoszącymi się obowiązującymi normami przeciwwypadkowymi. Nie są zaprojektowane do pracy ciągłej, lecz do sytuacji nagłych przez ograniczony okres czasu. Przed odstawieniem na dłuższy czas jest wskazane przystąpienie do fazy czyszczenia. Patrz rozdział "Konservacja i Czyszczenie".

2. POMPOWANE CIECZE

Woda czysta	•
Woda deszczowa	•
Woda jasna odpływowa	•
Woda brudna	•
Ścieki surowe zawierające ciała stałe z długimi włóknami	○
Woda z fontanny	•
Woda z rzeki lub jeziora	•
Max wielkość cząstek [mm]	Ø 38

Tabela 1

- Nadająca się
- Nie nadająca się

Pompa jest hermetyczna i musi być zanurzona w cieczy na maksymalną głębokość 7 m. Patrz Tabela 3.

3. DANE TECHNICZNE I OGRANICZENIA W ZASTOSOWANIU

- Napięcie zasilania: 220-240V, patrz tabliczka danych elektrycznych
- Zwłoczne bezpieczniki topikowe linii (wersja 220-240V): wartości orientacyjne (Amper)
- Temperatura przechowywania: -10°C +40°C

Bezpieczniki topikowe linii 220-240V 50Hz
3

Tabela 2

	Model	Drenaż woda brudna P1=1000
Dane Elektryczne	P1 Nominalny pobór mocy [W]	1000
	Napięcie sieciowe [V]	220-240 AC
	Częstotliwość sieciowa [Hz]	50
	Prąd [A]	4.2
	Kondensator [μ F]	12.5
	Kondensator [Vc]	450
Dane Hydrauliczne	Max wydajność [l/min]	320
	Max wysokość tłoczenia [m]	11
	Max ciśnienie tłoczenia [bar]	1.1
	Max głębokość zanurzenia [m]	7
	Wysokość uruchamiania min. AUT [mm]	50
	Wysokość wody resztkowej [mm]	50
Zakres stosowania	Dł. kabla zasilającego [m]	10
	Typ kabla	H07 RNF
	Stopień ochrony silnika	IP X8
	Klasa izolacji	F
	Zakres temperatury cieczy [°C] według EN 60335-2-41 do użytku domowego	0 °C / +35 °C
	Max wymiar cząstek [mm]	Ø 38
	Max temperatura otoczenia [°C]	+40 °C
Waga	DNM GAS	1" 1/2 F
	Waga Netto/Brutto ok. [kg]	8.2 / 10.1

Tabela 3



Pompa, która nie jest oparta na podstawie nie może podtrzymać ciężaru przewodów rurowych, które muszą być podparte w inny sposób.

4. ZARZĄDZANIE

4.1 Przechowywanie

Wszystkie pompy powinny być przechowywane w miejscu zakrytym, suchym, pozbawionym wibracji i pyłów i z możliwie stałą wilgotnością powietrza. Pompy zostają dostarczone w swoich oryginalnych opakowaniach, w których muszą pozostać aż do momentu zainstalowania.

4.2 Transport

Unikać narażania produktów na niepotrzebne wstrząsy i zderzenia.

4.3 Waga i wymiary

Na tabliczce naklejonej na opakowaniu jest wskazana ogólna waga elektropompy i jej wymiary.

5. OSTRZEŻENIA



Pompy nigdy nie powinny być transportowane, podnoszone lub pracować zawieszono używając do tego celu kabel zasilający, należy posługiwać się odpowiednim uchwytem.

- Pompa nigdy nie powinna pracować na sucho.
- Pompa musi być umieszczona tak, aby otwory nóżki ssącej nie zostały w całości lub częściowo zatkane przez brud.
- Urządzenie uszczelniające zawiera nietoksyczny smar, który, jeżeli pompa miałby wycieki, mógłby zmienić charakterystyki wody, w przypadku wody pitnej.
- Pompa jest wyposażona w wyłącznik zabezpieczający termiczny. W przypadku ewentualnego przegrzania silnika wyłącznik automatycznie wyłączy pompę. Czas ochłodzenia wynosi około 15-20 min., po czym pompa automatycznie włączy się ponownie. Po zadziałaniu zabezpieczenia należy znaleźć przyczynę, która spowodowała jego uruchomienie i usunąć ją. Skonsultować rozdział Wyszukiwanie Usterek.

6. INSTALOWANIE

Dokręcić kolanko z przyłączem obsady węża znajdujące się w opakowaniu. Dla wersji do wody brudnej są do dyspozycji tylko przyłącza do przewodów rurowych o średnicach 1"1/2, w przypadku, gdyby zaszła potrzeba używania przewodów rurowych o średnicy większej należy wymienić złącze kolankowe. Używać ponadto opaskę zaciskową do rur w celu umocowania rury do przyłącza.

- Zaleca się używanie przewodów rurowych mających średnicę wewnętrzną minimum 38 mm w celu uniknięcia zmniejszenia wydajności pompy i możliwości zatkania.
- W przypadku, gdy dno zbiornika, gdzie pompa będzie się opierać, byłoby bardzo brudne, należy przygotować podporę podnoszącą, aby uniknąć zatkania się kratki zasysania (Rys.1).
- Zanurzyć kompletnie pompę w wodzie.
- Zbiornik umieszczenia pompy powinien mieć minimalne wymiary zgodne z poniższymi wartościami:
Wymiary podstawy min (mm) 400x400 / Wysokość min (mm) 400

- Uważać, aby pływak miał swobodę poruszania się, zostawić co najmniej 5 cm od ściany zbiornika.
- Zbiornik będzie musiał być wymiarowany także w zależności od ilości wody dochodzącej i od wydajności pompy, w taki sposób, aby pompa nie narażała silnika na nadmierną ilość uruchomień na godzinę, poleca się nie przekraczać 20 uruchomień na godzinę.



Pompa musi być zainstalowana w pozycji pionowej!

7. PODŁĄCZENIE ELEKTRYCZNE



Długość kabla zasilającego znajdującego się w pompie ogranicza maksymalną głębokość zanurzenia pompy przy jej używaniu. Przestrzegać wskazania przedstawione na tabliczce technicznej i w niniejszej instrukcji tabela 3.

8. URUCHOMIENIE

Istnieją dwa tryby funkcjonowania:

• **MANUALNY (A)**

Elektropompy pomimo posiadania pływaka mogą być używane w trybie manualnym Rys.2

- 1) Umocować wyłącznik pływakowy w taki sposób, aby był umieszczony pionowo nad pompą (z przewodem skierowanym do dołu) (a). Tak długo jak wyłącznik pływakowy będzie umieszczony pionowo, pompa pozostanie uruchomiona niezależnie od poziomu wody.
- 2) Włączyć wtyczkę kabla zasilającego do gniazdka prądu elektrycznego 220-240V.
- 3) Pompa zacznie pracować, upewnić się, czy jest zanurzona w cieczy do zasysania.

Zwracać uwagę, ponieważ pompa nie wyłączy się automatycznie, po osiągnięciu minimalnego poziomu będzie musiała być wyłączona ręcznie przez użytkownika, albo wyciągając wtyczkę albo obniżając pływak (funkcjonowanie automatyczne).

Maksymalny poziom zasysania zostanie osiągnięty tylko podczas funkcjonowania w trybie manualnym, ponieważ w warunkach funkcjonowania automatycznego wyłącznik pływakowy zatrzyma pompę przed osiągnięciem takiego poziomu.

• **AUTOMATYCZNY (B)**

Modele wyposażone w wyłącznik pływakowy zostają uruchomione automatycznie, gdy poziom wody podniesie się i zatrzymają po osiągnięciu przewidzianego minimalnego poziomu (Rys.3).

- 1) Pływak powinien swobodnie poruszać się.
- 2) Włączyć wtyczkę kabla zasilającego do gniazdka prądu elektrycznego 220-240V.
- 3) Gdy pływak osiągnie poziom ON pompa uruchomi się i będzie pracować aż do osiągnięcia poziomu OFF.

Regulacja wysokości uruchomienia/zatrzymania:

(Aby poznać minimalną wysokość uruchomienia i zatrzymania, należy konsultować rozdział Dane techniczne.)

Długość kabla musi z jednej strony umożliwić wyłącznikowi pływakowemu swobodne poruszanie się, a z drugiej strony unikać, aby wyłącznik opierał się na dnie. Odcinek kabla między wyłącznikiem pływakowym a wgłębieniem blokady kabla nie powinien być krótszy niż 10 cm. Im krótszy jest odcinek kabla między wyłącznikiem pływakowym a wgłębieniem blokady kabla, tym niższa będzie wysokość uruchomienia i wyższa wysokość zatrzymania. Można zmienić punkt umocowania, na przykład na dolnym zacisku, przy takiej samej długości, uzyska się niższy poziom zatrzymania i uruchomienia (Rys. 4). Pompa zostaje dostarczona z opaską (Rys. 5), która umocowuje kabel pływaka i uniemożliwia jego przesunięcie się w zacisku, w przypadku, gdyby chciało się wydłużyć lub skrócić wolny kabel pływaka przesunąć opaskę, jeżeli nie byłoby to możliwe przystąpić do wymiany. Silniki jednofazowe są wyposażone we wbudowane termiczne zabezpieczenie przed przeciążeniem i mogą być podłączone bezpośrednio do sieci. N.B.: jeżeli silnik jest przeciążony zatrzyma się automatycznie. Po ochłodzeniu automatycznie uruchomi się bez potrzeby żadnej interwencji ręcznej. Filtr został zaprojektowany w taki sposób, aby móc regulować swobodne przejście od 30 mm do 5 mm, w przypadku używania z wodą czystą wystarczy po prostu go obrócić i opuścić niżej.

9. ŚRODKI OSTROŻNOŚCI

NIEBEZPIECZEŃSTWO MROZU: jeżeli pompa będzie składowana nieużywana w temperaturze poniżej 0°C, należy upewnić się, czy nie ma w niej resztek wody, które zamarzając mogłyby spowodować pęknięcia części plastikowych. Jeżeli pompa była używana z substancjami, które mają tendencję do osadzania się lub z wodą chlorowaną, po użyciu wypłukać ją silnym strumieniem wody, tak aby uniknąć powstawania osadów i zakamienienia, które powodowałyby zmniejszenia charakterystyk pompy.

10. KONSERWACJA I CZYSZCZENIE

Elektropompa przy normalnej pracy nie wymaga żadnego rodzaju konserwacji. W każdym razie wszystkie interwencje naprawy i konserwacji muszą być wykonywane tylko po uprzednim wyłączeniu pompy z sieci zasilania. Przed każdym uruchomieniem pompy upewnić się, czy filtr zasysania jest zamontowany, tak, aby nie stwarzać niebezpieczeństwa lub możliwości przypadkowego styku z poruszającymi się częściami.

10.1 Czyszczenie kratki zasysania

(Rys.6)

- Wyłączyć zasilanie elektryczne pompy.
- Drenować pompę
- Odkręcić śrubki mocujące filtra (b).
- Zdjąć kratkę zasysania (c).
- Wyczyścić i zamontować kratkę zasysania.

10.2 Czyszczenie wirnika

(Rys.7)

- Wyłączyć zasilanie elektryczne pompy.
- Drenować pompę.
- Odkręcić śrubki mocujące filtra (b).
- Zdjąć kratkę zasysania (c).
- Wymyć pompę czystą wodą, aby usunąć zanieczyszczenia pomiędzy silnikiem a płaszczem pompy (d).
- Wyczyścić wirnik (d).
- Sprawdzić, czy wirnik może obracać się swobodnie.
- Zamontować części w kierunku odwrotnym do sekwencji demontażu.

11. WYKRYWANIE USTEREK



Przed podjęciem decyzji o przeprowadzeniu jakichkolwiek napraw, należy odłączyć pompę od zasilania (np. wyjąć wtyczkę z gniazdka). Jeśli istnieje jakiegokolwiek uszkodzenie przewodu zasilającego lub pompy, wszystkie niezbędne naprawy lub wymiany muszą być wykonywane przez producenta, lub upoważnionego serwisu, lub przez osoby równie wykwalifikowane, w celu uniknięcia wszelkiego ryzyka.

ZAISTNIAŁY PROBLEM	SPRAWDZANIE (możliwe przyczyny)	ŚRODKI ZARADCZE
1 Silnik nie załącza się i nie wytwarza hałasu.	A. Sprawdzić, czy silnik jest pod napięciem. B. Sprawdzić bezpieczniki ochronne. C. Pływak nie włącza wyłącznika.	A. Sprawdzić, czy wtyczka jest poprawnie włączona B. Jeżeli spalone wymienić je C. -Sprawdzić, czy pływak porusza się swobodnie .Ustawić go skierowany do góry. - Zwiększyć głębokość zbiornika
2 Pompa nie dostarcza wody.	A. Kratka zasysania lub przewody rurowe są zatkane. B. Wirnik jest zużyty lub zatkany. C. Wymagane ciśnienie tłoczenia jest wyższe od charakterystyk pompy. D. Obecność powietrza.	A. Usunąć przeszkody blokujące lub ułożyć poprawnie przewody rurowe, jeżeli są okręcone. B. Wymienić wirnik lub usunąć przeszkody blokujące. C. Zastąpić je ciśnieniem tłoczenia wyższym. D. Odczekać co najmniej 1 minutę, dopóki nie zostanie usunięte.
3 Pompa nie zatrzymuje się.	A. Pływak nie wyciąga wyłącznika.	A. Sprawdzić, czy pływak porusza się swobodnie.
4 Wydajność jest niewystarczająca.	A. Sprawdzić, czy kratka zasysania nie jest częściowo zatkana. B. Sprawdzić, czy wirnik lub rura tłoczna nie są częściowo zatkane lub zakamienione. C. Sprawdzić, czy zawór zwrotny (jeżeli przewidziany) nie jest częściowo zatkany.	A. Usunąć ewentualne przeszkody blokujące. B. Usunąć ewentualne przeszkody blokujące. C. Wyczyścić dokładnie zawór zwrotny.
5 Pompa wyłącza się po krótkim czasie pracy.	A. Zabezpieczenie termiczne przed przeciążeniem zatrzymuje pompę.	A. Sprawdzić, czy ciecz nie jest zbyt gęsta, co mogłoby spowodować przegrzanie silnika. B. Sprawdzić, czy temperatura wody nie jest zbyt wysoka. C. Sprawdzić, czy żadne ciało nie blokuje wirnika.

12. GWARANCJA



Jakakolwiek modyfikacja nie upoważniona uprzednio, zwalnia konstruktora od jakiegokolwiek rodzaju odpowiedzialności. Wszystkie części zamienne użyte do napraw muszą być oryginalne i wszystkie akcesoria muszą być upoważnione przez konstruktora, tak, aby móc zapewnić maksymalne bezpieczeństwo maszyn i urządzeń, na których mogą być one zamontowane.

Ten produkt objęty jest gwarancją ustawową (w Unii Europejskiej trwającą 24 miesiące począwszy od daty zakupu) odnoszącą się do wszystkich defektów wynikających z wad fabrycznych lub zastosowanych materiałów.

Produkt objęty gwarancją będzie mógł, według uznania, albo być wymieniony na inny o doskonałym stanie funkcjonowania lub naprawiony bezpłatnie, jeżeli będą przestrzegane następujące warunki:

- Produkt był używany w sposób poprawny i zgodnie z instrukcjami i nie była wykonana próba naprawy przez nabywcę lub osoby trzecią.
- Produkt zostanie dostarczony do punktu nabycia, załączając dokument potwierdzający kupno (faktura lub paragon fiskalny) i krótki opis zauważonego problemu.

Wirnik i części podatne na zużycie, nie podlegają gwarancji. Interwencja gwarancyjna w żaden sposób nie przedłuża okresu początkowego.

ÍNDICE

1. APLICAÇÕES	74
2. LÍQUIDOS BOMBEÁVEIS	74
3. DADOS TÉCNICOS E LIMITAÇÕES DE USO	74
4. GESTÃO	75
4.1 Armazenagem	75
4.2 Transporte	75
4.3 Peso e dimensões	75
5. AVISOS	75
6. INSTALAÇÃO	75
7. LIGAÇÃO ELÉTRICA	76
8. ARRANQUE	76
9. PRECAUÇÕES	76
10. MANUTENÇÃO E LIMPEZA	76
10.1 Limpeza da grelha de aspiração	77
10.2 Limpeza do impulsor	77
11. LOCALIZAÇÃO DE AVARIAS	77
12. GARANTIA	77

AVISOS



Antes de fazer a instalação, ler muito bem todo este documento.



Antes de qualquer intervenção, retirar a ficha da tomada. Evitar absolutamente o funcionamento a seco: a bomba deve ser acionada somente quando estiver imersa na água. Se a água terminar, a bomba deve ser imediatamente desligada retirando a ficha da tomada.

1. APLICAÇÕES

Bombas submersíveis potentes para a drenagem e esvaziamento e para a pequena irrigação. Podem ser utilizadas com águas sujas mesmo quando houver corpos em suspensão cujo volume máximo seja 38 mm. Bombas para uso doméstico, com funcionamento manual ou automático, para aspirar a água de caves e garagens sujeitas a alagamentos, para bombagem de poços de drenagem, bombagem de caixas de visita para águas pluviais ou de infiltrações provenientes de caleiras etc.

Graças à forma compacta e maneável também pode ser utilizada como bomba portátil para emergências, como aspiração de água de reservatórios ou rios, esvaziamento de piscinas e chafarizes ou de escavações e passagens subterrâneas. Apropriada também para jardinagem e uso doméstico em geral.



Esta bomba não pode ser utilizada em piscinas, lagoas, lagos com presença de pessoas e/ ou para a bombagem de hidrocarbonetos (gasolina, gasóleo, óleos combustíveis, solventes etc.) segundo as normas de prevenção de acidentes vigentes em matéria. Não é projetada para a utilização contínua, mas de emergência por um período limitado. Antes de arrumar a bomba, recomenda-se fazer a limpeza. Consultar o capítulo “Manutenção e Limpeza”.

2. LÍQUIDOS BOMBEÁVEIS

Águas doces	•
Águas pluviais	•
Águas limpas residuais	•
Águas sujas	•
Águas brutas com corpos sólidos, com fibras compridas	○
Água de chafariz	•
Água de rio ou lago	•
Dimensão máx. das partículas [mm]	Ø 38

Quadro 1

- Adequado
- Não adequado

A bomba é estanque e deve ser imersa no líquido até a uma profundidade máxima de 7 metros. Veja o Quadro 3.

3. DADOS TÉCNICOS E LIMITAÇÕES DE USO

- **Tensão de alimentação: 220-240V**, veja a placa de características elétricas
- **Fusíveis de linha de ação retardada (versão 220-240V):** valores indicativos (Ampere)
- **Temperatura de armazenagem:** -10°C +40°C

Fusíveis de linha 220-240V
50Hz
3

Quadro 2

PORTUGUÊS

	Modelo	Drenagem de águas sujas
		P1=1000
Dados elétricos	P1 Potência nominal absorvida [W]	1000
	Voltagem de rede [V]	220-240 AC
	Frequência de rede [Hz]	50
	Corrente [A]	4.2
	Condensador [μ F]	12.5
	Condensador [Vc]	450
Dados Hidráulicos	Caudal máx. [l/min]	320
	Altura manométrica máx. [m]	11
	Altura manométrica máx. [bar]	1.1
	Profundidade máx. de imersão [m]	7
	Altura mín. de arranque AUT [mm]	50
	Altura água residual [mm]	50
Campo de aplicação	Compr. Cabo de alimentação [m]	10
	Tipo de cabo	H07 RNF
	Grau de proteção do motor	IP X8
	Classe de isolamento	F
	Intervalo de temperatura do líquido [°C] segundo EN 60335-2-41 para utilização doméstica	0 °C / +35 °C
	Dimensão máx. das partículas [mm]	Ø 38
	Máx. Temperatura ambiente [°C]	+40 °C
Peso	DNM GAS	1" 1/2 F
	Peso líquido/bruto aprox. [kg]	8.2 / 10.1

Quadro 3



A bomba que não está apoiada sobre uma base não pode sustentar o peso de tubagens. Este peso deve ser apoiado em outra posição.

4. GESTÃO

4.1 Armazenagem

Todas as bombas devem ser armazenadas em lugar coberto, seco e com humidade do ar possivelmente constante, sem vibrações ou poeira. São fornecidas na sua embalagem original na qual devem ser mantidas até que tenham sido instaladas.

4.2 Transporte

Evitar submeter os produtos a batidas ou choques inúteis.

4.3 Peso e dimensões

Na plaqueta adesiva da embalagem está indicado o peso total da eletrobomba e as suas dimensões.

5. AVISOS



As bombas nunca devem ser transportadas, levantadas ou acionadas se suspensas pelo cabo de alimentação. Utilizar apenas a pega.

- A bomba não deve nunca funcionar a seco.
- A bomba deve ser posicionada de modo que os furos da base aspirante não sejam obstruídos, completa ou parcialmente pela sujidade;
- O dispositivo de estanquidade contém lubrificante atóxico, mas que pode alterar as características da água, em caso de água pura, se a bomba apresentar fugas.
- A bomba é dotada de um aparelho de protecção térmica. Em caso de possível sobreaquecimento do motor, o aparelho de protecção desliga a bomba automaticamente. O tempo de arrefecimento é de cerca de 15-20 min e em seguida a bomba liga-se automaticamente. Após a intervenção da protecção, é absolutamente necessário localizar a causa e eliminá-la. Consulte o parágrafo Localização dos Defeitos.

6. INSTALAÇÃO

Apertar o cotovelo com ligação porta-tubos presente na embalagem. Para a versão de águas sujas temos apenas a ligação para tubagem de 1"1/2 de dimensão. Se a tubagem utilizada for de diâmetro superior, substituir o cotovelo. Utilizar também uma abraçadeira para fixar o tubo na ligação.

- Recomenda-se utilizar tubagens de diâmetro interior de no mínimo 38 mm para evitar a diminuição do desempenho da bomba e a possibilidade de obstruções.
- Se o fundo da caixa, onde a bomba deverá ficar apoiada, apresentar muita sujidade, recomenda-se colocar um suporte alto para evitar obstruções da grelha de aspiração (Fig. 1).
- Imergir totalmente a bomba na água.
- A caixa em que a bomba será posicionada deve ter as dimensões mínimas indicadas abaixo:

Dimensões mín. da base (mm) 400x400 / Altura mín. (mm) 400

- É importante assegurar que a boia possa mover-se; deixar pelo menos 5 cm de distância da parede da caixa.
- A caixa deverá sempre ser dimensionada de acordo com a quantidade de água que entra e com o caudal da bomba para não submeter o motor a um número de arranques por hora excessivo. Recomenda-se vivamente não superar 20 arranques por hora.



A bomba deve ser instalada na posição vertical!

7. LIGAÇÃO ELÉTRICA



O comprimento do cabo de alimentação presente na bomba limita a profundidade máxima de imersão para a utilização da mesma. Seguir as instruções da placa de características técnicas e o quadro 3 deste manual.

8. ARRANQUE

Existem dois modos de funcionamento:

• MANUAL (A)

As eletrobombas, mesmo possuindo uma boia, podem ser utilizadas no modo manual Fig. 2.

- 1) Fixar o interruptor de boia para que permaneça na posição vertical sobre a bomba (com o cabo na parte inferior) (a). Enquanto o interruptor de boia permanecer levantado, a bomba continuará a funcionar independentemente do nível da água.
- 2) Ligar a ficha do cabo de alimentação a uma tomada de corrente de 220-240V.
- 3) A bomba começará a funcionar. Assegurar-se que esteja imersa no líquido a aspirar.

Prestar atenção, pois a bomba não desligará automaticamente. Uma vez alcançado o nível mínimo, deverá ser desligada manualmente pelo utilizador que deverá retirar a ficha da tomada ou abaixar a boia (funcionamento automático).

O nível de aspiração máximo é alcançado apenas durante o funcionamento no modo manual, pois na condição de funcionamento automático o interruptor de boia para a bomba antes de alcançar este nível.

• AUTOMÁTICO (B)

Os modelos sem interruptor de boia acionam-se automaticamente quando o nível da água sobe e desligam-se quando alcançado o nível mínimo previsto (Fig. 3).

- 1) Deixar a boia mover-se livremente.
- 2) Ligar a ficha do cabo de alimentação a uma tomada de corrente de 220-240V.
- 3) Quando a boia alcança o nível ON, a bomba arranca e funciona até ser alcançado o nível OFF.

Regulação da altura de arranque/paragem:

(Para conhecer a altura de arranque e paragem mínima, consultar o capítulo Dados técnicos.)

O comprimento do cabo deve permitir que o interruptor de boia movimente-se livremente e também evitar que o mesmo apoie-se no fundo. A parte de cabo entre o interruptor de boia e a cavidade do cabo não deve medir menos de 10 cm. Quanto mais curta a parte de cabo entre o interruptor de boia e a cavidade do cabo, mais baixa será a altura de arranque e mais alta a de paragem. Pode modificar-se o ponto de fixação, por exemplo, no grampo inferior. Com comprimento igual, ter-se-á um nível mais baixo de paragem e de arranque (Fig. 4). A bomba é fornecida com uma abraçadeira (Fig. 5) que fixa o cabo da boia e impede o seu deslocamento no grampo. Se for necessário alongar ou encurtar o cabo sem a boia, deslocar a abraçadeira correspondente e, se não for possível, fazer a sua substituição. Os motores monofásicos estão equipados com disjuntor térmico incorporado e podem ser ligados diretamente à rede. NB: o motor para automaticamente se estiver sobrecarregado. Uma vez arrefecido, arranca automaticamente sem necessidade de nenhuma operação manual.

O filtro é desenhado para poder regular a passagem livre de 30 mm até 5 mm; em caso de utilização com águas limpas, é suficiente rodá-lo e baixá-lo.

9. PRECAUÇÕES

PERIGO DE GELO: quando a bomba permanecer inativa e a temperatura for inferior a 0 °C, é necessário assegurar-se que não haja água, pois há o risco de congelação que causaria fissuras nas partes de plástico.

Se a bomba foi utilizada com substâncias que podem depositar-se ou com água com cloro, enxaguar após a utilização com um forte jato de água para evitar que se formem depósitos ou incrustações que podem prejudicar as características da bomba.

10. MANUTENÇÃO E LIMPEZA

Durante o funcionamento normal, a eletrobomba não necessita de nenhum tipo de manutenção. Em todo o caso, todas as intervenções de reparação e manutenção devem ser feitas somente após ter desligado a bomba da rede de alimentação. Ao ligar de novo a bomba, assegurar-se que o filtro de aspiração esteja montado para não haver perigo ou possibilidade de contacto accidental com as partes móveis.

PORTUGUÊS

10.1 Limpeza da grelha de aspiração

(Fig. 6)

- Desligar a alimentação elétrica da bomba.
- Esvaziar a bomba.
- Desapertar os parafusos de fixação do filtro (b).
- Retirar a grelha de aspiração (c).
- Limpar e montar de novo a grelha de aspiração.

10.2 Limpeza do impulsor

(Fig. 7)

- Desligar a alimentação elétrica da bomba.
- Esvaziar a bomba.
- Desapertar os parafusos de fixação do filtro (b).
- Retirar a grelha de aspiração (c).
- Lavar a bomba com água limpa para remover possíveis impurezas entre o motor e a camisa da bomba (d).
- Limpar o impulsor (d).
- Verificar se o impulsor pode rodar livremente.
- Montar as partes no sentido oposto à sequência de desmontagem.

11. LOCALIZAÇÃO DE AVARIAS



Antes de iniciar a localização dos defeitos, é necessário desligar a ligação eléctrica da bomba (desligar a fichada tomada). Se o cabo eléctrico ou a bomba, em qualquer parte eléctrica, estiver danificado, a intervenção de reparação ou substituição deve ser feita pelo Fabricante ou pelo seu serviço de assistência técnica ou por uma pessoa com qualificação equivalente, de modo a prevenir todos os riscos.

PROBLEMA	CAUSA POSSÍVEL	QUE FAZER
1 O motor não arranca e não gera ruídos.	A. Verificar se o motor está alimentado eletricamente. B. Verificar os fusíveis de proteção. C. O interruptor não é ativado pela boia.	A. Verificar se a ficha está ligada corretamente. B. Se queimados, substituí-los. C. -Verificar se a boia move-se livremente. Colocá-la para cima. - Aumentar a profundidade da caixa.
2 A bomba não distribui nenhum líquido.	A. A grelha de aspiração ou a tubagem está obstruída. B. O impulsor está desgastado ou obstruído. C. A altura manométrica pedida é superior às características da bomba. D. Presença de ar.	A. Remover as obstruções ou esticar a tubagem se enrolada. B. Substituir o impulsor ou remover a obstrução. C. Substituí-la por uma de altura manométrica superior. D. Aguardar pelo menos 1 minuto até ser eliminado.
3 A bomba não para.	A. O interruptor não é desativado pela boia.	A. Verificar se a boia movimenta-se livremente.
4 O caudal é insuficiente.	A. Verificar se a grelha de aspiração não está parcialmente obstruída. B. Verificar se o impulsor ou a tubagem de descarga não estão parcialmente obstruídos ou com incrustações. C. Verificar se a válvula de retenção (se instalada) não está parcialmente obstruída.	A. Remover eventuais obstruções. B. Remover eventuais obstruções. C. Limpar muito bem a válvula de retenção.
5 A bomba para depois de funcionar por pouco tempo.	A. O disjuntor térmico para a bomba.	A. Verificar se o líquido a bombear não está demasiado denso, porque causaria o sobreaquecimento do motor. B. Verificar se a temperatura da água não está demasiado alta. C. Verifique se nenhum corpo sólido bloqueia o impulsor.

12. GARANTIA



Qualquer modificação não autorizada previamente isenta o fabricante de todo tipo de responsabilidade. Todas as peças sobresselentes utilizadas para as reparações devem ser originais e todos os acessórios devem ser autorizados pelo fabricante para poder garantir a máxima segurança das máquinas e dos sistemas nos quais estas podem ser montadas.

Este produto está coberto por garantia legal (na Comunidade Europeia durante 24 meses a contar da data de compra) contra todos os defeitos de fabrico ou do material utilizado.

O produto em garantia poderá ser, à discrição, substituído por um em perfeito estado de funcionamento ou reparado gratuitamente se cumpridas as seguintes condições:

- o produto foi utilizado de modo correto e conforme as instruções e não houve tentativa de reparação pelo comprador ou terceiros;
- o produto foi entregue ao ponto de venda onde adquirido, com o documento que comprova a compra anexado (fatura ou talão de compra) e uma breve descrição do problema ocorrido.

O impulsor e as partes sujeitas a desgaste não são abrangidos pela garantia. A intervenção ao abrigo da garantia não aumenta o período inicial de forma alguma.

INDICE

1. APLICAȚI	78
2. LICHIDE CE POT FI POMPATE	78
3. DATE TEHNICE ȘI LIMITĂRI DE FOLOS	78
4. GESTIUNE	79
4.1 Inmagazinare.....	79
4.2 Transport.....	79
4.3 Greutate și dimensiuni	79
5. AVERTISMENTE.....	79
6. INSTALARE	79
7. BRANȘAMENT ELECTRONIC.....	80
8. PORNIRE	80
9. PRECAUȚII	80
10. ÎNTREȚINERE ȘI CURĂȚIRE.....	80
10.1 Curățirea grilajului de aspirare	81
10.2 Curățirea rotorului.....	81
11. REZOLVAREA PROBLEMELOR.....	81
12. GARANȚIA.....	81

AVERTISMENTE



Înainte de a începe montarea citiți cu atenție întreaga documentație.



Înainte de orice intervenție, scoateți cablul de alimentare din priză. Evitați neapărat funcționarea uscată: pompa trebuie utilizată numai atunci când este scufundată în apă. Când apa se termină, pompa trebuie să fie imediat oprită scoțând cablul de alimentare din priză.

1. APLICAȚI

Pompe submersibile puternice pentru drenare, golire și sisteme mici de irigare; pot fi folosite cu ape murdare, inclusiv în prezența particulelor în suspensie cu diametru maxim de până la 38 mm. Pompe pentru utilizări casnice, cu funcționare manuală sau automată, pentru drenarea subsolurilor și garajelor predispușe la inundații, pentru pomparea puțurilor de drenaj, pomparea sistemelor de colectare a apei pluviale sau a infiltrațiilor din jgheaburi etc.

Datorită formei compacte și ușor de manevrat au și aplicații speciale precum pompe portabile pentru situații de urgență cum ar fi, colectare de apă din rezervoare sau râuri, golirea piscinelor și fântânilor sau săpăturilor sau în subteran. Potrivită și pentru grădinărit și hobby-uri în general.



Aceste pompe nu pot să fie utilizate în piscine, iazuri, bazine în prezența persoanelor, sau pentru pomparea hidrocarburilor (benzina, motorina, uleiuri combustibile, solvenți, etc.) conform normelor de prevenire a accidentelor în vigoare. Nu sunt proiectate pentru utilizare continuă ci numai în cazuri de urgență, pe o perioadă de timp limitată. Înainte de înmagazinare este bine să asigurați curățarea acestora. A se vedea capitolul „Întreținerea și curățarea”.

2. LICHIDE CE POT FI POMPATE

Apă dulce	•
Apă de ploaie	•
Ape pluviale	•
Ape murdare	•
Apă de canalizare ce conține corpuri solide cu f-bre lungi	○
Apă de fântână	•
Apă de râu sau de lac	•
Dimensiune max. particule [mm]	Ø 38

Tabel 1

- Adecvată
- Neadecvată

Pompa este etanșă și trebuie să fie scufundată în lichid până la o adâncime maximă de 7m. A se vedea tabelul 3.

3. DATE TEHNICE ȘI LIMITĂRI DE FOLOS

- **Tensiune de alimentare: 220-240V**, a se vedea plăcuța date tehnice
- **Fuzibili de linie întârziată (versiunea 220-240V):** valori indicative (Amper)
- **Temperatură de magazinaj:** -10°C +40°C

Fuzibili de linie 220-240V
50Hz
3

Tabel 2

	Model	Drenare ape murdare P1=1000
Date electrice	P1 Putere absorbită nominală [W]	1000
	Tensiune de alimentare [V]	220-240 AC
	Frecvență de alimentare [Hz]	50
	Curent [A]	4.2
	Condensator [μ F]	12.5
	Condensator [Vc]	450
Date hidraulice	Debit max. [l/min]	320
	Înălțime de pompare max. [m]	11
	Înălțime de pompare max. [bar]	1.1
	Adâncime scufundare max. [m]	7
	Înălțime de pornire min. AUT [mm]	50
	Înălțime apă reziduală [mm]	50
Domeniu de utilizare	Lung. cablu alimentare [m]	10
	Tip cablu	H07 RNF
	Grad de protecție motor	IP X8
	Clasă de izolație	F
	Interval temperatură lichid [°C] conform EN 60335-2-41 pentru uz casnic	0 °C / +35 °C
	Dimensiune max. particule [mm]	Ø 38
	Temperatură ambiantă max. [°C]	+40 °C
	Greutate	DNM GAS 1" 1/2 F
	Greutate netă/brută aprox. [kg]	8.2 / 10.1

Tabel 3



Pompa care nu se sprijină pe o bază nu poate suporta greutatea tubaturilor care trebuie să fie susținută în mod diferit.

4. GESTIUNE

4.1 Inmagazinare

Toate pompele trebuie să fie înmagazinate în loc acoperit, uscat și cu umiditatea aerului dacă este posibil constantă, fără vibrații și prafuri. Sunt livrate în ambalajul original în care trebuie să rămână până în momentul instalării.

4.2 Transport

Evitați să supuneți produsele la lovituri și ciocniri inutile.

4.3 Greutate și dimensiuni

Eticheta adezivă de pe ambalaj indică greutatea totală a electropompei și dimensiunile sale.

5. AVERTISMENTE



Pompele nu trebuie niciodată transportate, ridicate sau puse în funcțiune suspendate de cablul de alimentare, folosiți mânerul special.

- Pompa nu trebuie niciodată să fie pusă în funcțiune pe uscat.
- Pompa trebuie amplasată astfel încât orificiile piciorului de aspirație să nu fie astupate de murdărie, parțial sau total.
- Dispozitivul de închidere conține lubrifiant netoxic dar care poate altera caracteristicile apei, în cazul în care se tratează de apă pură, dacă pompa ar avea pierderi.
- Pompa este prevăzută cu un dispozitiv de protecție termică a motorului. În caz de supraîncălzire a motorului, dispozitivul de protecție oprește pompa automat. Timpul de răcire este de aproximativ 15-20 min., apoi pompa repornește automat. După declanșarea dispozitivului de protecție a motorului este absolut necesar să identificați și să eliminați cauza care a determinat-o. Consultați Rezolvarea problemelor.

6. INSTALARE

Înșurubați cotul cu racord de furtun prezent în ambalaj. Pentru versiunea pentru ape murdare este disponibil numai racordul pentru conducte cu dimensiuni de 1"1/2, în cazul în care se dorește folosirea unei conducte cu diametru mai mare înlocuiți racordul cotit. Folosiți și un colier de furtun pentru a fixa conducta în racord.

- Vă recomandăm să folosiți conducte cu un diametru interior de cel puțin 38 mm pentru a evita scăderea performanțelor pompei și posibilitatea de colmatare.
- În cazul în care fundul puțului, pe care pompa trebuie să se sprijine, este extrem de murdar, este bine să se prevadă un suport ridicat, pentru a evita înfundarea grilei de aspirație (Fig.1).
- Scufundați complet pompa în apă.
- Asigurați-vă că dimensiunile minime ale puțului în care este montată pompa respectă următoarele valori:
Dimensiuni bază min. (mm) 400x400 / Înălțime min. (mm) 400

- Asigurați-vă că plutitorul se poate mișca liber, lăsați o distanță de cel puțin 5 cm față de peretele puțului.
- Puțul va trebui să fie întotdeauna dimensionat și în funcție de cantitatea de apă ce sosește și de debitul pompei, pentru a nu supune motorul unui număr prea mare de porniri/oră; se recomandă să nu se depășească 20 de porniri/oră.



Pompa trebuie instalată în poziție verticală!

7. BRANȘAMENT ELECTRONIC



Lungimea cablului de alimentare de pe pompă limitează adâncimea maximă de scufundare la utilizarea acesteia. Respectați indicațiile de pe plăcuța cu date tehnice și din tabelul 3 din acest manual.

8. PORNIRE

Există două moduri de funcționare:

• MANUAL(A)

Deși sunt prevăzute cu plutitor, electropompele pot fi folosite în mod manual Fig.2

- 1) Fixați întrerupătorul flotant astfel încât să rămână în poziție verticală deasupra pompei (cu cablul în jos) (a). Când timp întrerupătorul flotant este ridicat pompa funcționează, indiferent de nivelul apei.
- 2) Conectați cablul de alimentare la o priză de curent de 220-240V.
- 3) Pompa va începe să funcționeze, asigurați-vă că este scufundată în lichidul ce trebuie aspirat.

Atenție, pompa nu se va opri automat; odată atins nivelul minim va trebui oprită manual de către utilizator, fie scoțând cablul de alimentare din priză fie coborând plutitorul (funcționare automată).

Nivelul maxim de aspirație este atins numai în timpul funcționării manuale deoarece, în cazul funcționării automate, întrerupătorul flotant oprește pompa înainte de atingerea acestui nivel.

• AUTOMAT (B)

Modelele prevăzute cu întrerupător plutitor sunt puse în funcțiune automat când nivelul apei crește și se opresc când se atinge nivelul minim prevăzut (Fig.3).

- 1) Asigurați-vă că plutitorul se mișcă liber.
- 2) Conectați cablul de alimentare la o priză de curent de 220-240V.
- 3) Când plutitorul atinge nivelul ON pompa va porni și va rămâne în funcțiune până la atingerea nivelului OFF.

Reglarea înălțimii de pornire/oprire:

(Pentru a afla înălțimea minimă de oprire și pornire consultați capitolul Date tehnice.)

Lungimea cablului trebuie, pe de o parte, să permită întrerupătorului flotant să se poată mișca liber și, pe de altă parte, să evite ca acesta să se sprijine pe fund. Porțiunea de cablu dintre întrerupătorul flotant și dispozitivul de blocare a cablului nu trebuie să fie mai scurtă de 10 cm. Cu cât mai scurtă este porțiunea de cablu dintre întrerupătorul flotant și dispozitivul de blocare a cablului, cu atât mai mică va fi înălțimea de pornire și mai ridicată înălțimea de oprire. Punctul de fixare se poate schimba, de exemplu pe clema inferioară, pentru aceeași lungime se va avea un nivel mai coborât de oprire și de pornire (Fig.4). Pompa este furnizată cu un colier (Fig. 5) care fixează cablul plutitorului și împiedică glisarea acestuia în clip; în cazul în care decideți să lungiți sau să scurtați cablul liber al plutitorului mutați colierul în mod corespunzător, în cazul în care nu se poate înlocui. Motoarele monofazate sunt prevăzute cu dispozitiv de protecție la supracurent încorporat și pot fi conectate direct la rețea. NB: dacă motorul este supraîncărcat, se oprește automat. După răcire, repornește automat fără necesitatea niciunei intervenții manuale.

Filtrul este conceput în așa fel încât să regleze dimensiunea de trecere de la 30 mm până la 5 mm; în cazul folosirii pentru ape curate este suficient să îl rotiți și să îl coborâți.

9. PRECAUȚII

PERICOL DE ÎNGHEȚ: când pompa rămâne nefolosită la temperaturi mai mici de 0°C, trebuie să vă asigurați că nu există resturi de apă care, înghețând, ar putea determina fisurarea pieselor din plastic.

Dacă a fost folosită cu substanțe care tind să se depoziteze sau cu apă clorurată, după folosire clătiți pompa cu un jet puternic de apă pentru a evita formarea depunerilor sau depozitelor care ar afecta performanțele acesteia.

10. INTREȚINERE ȘI CURĂȚIRE

Dacă electropompa funcționează normal nu necesită nici un tip de întreținere. În orice caz toate intervențiile de reparare și întreținere trebuie efectuate doar după ce s-a dezlegat pompa de la rețeaua de alimentare. Când se repornește pompa, asigurați-vă că este mereu montat filtrul de aspirare astfel încât să nu se creeze pericol sau posibilitatea de contact accidental cu piesele în mișcare.

10.1 Curățirea grilajului de aspirare**(Fig.6)**

- Dezactivați alimentarea electrică a pompei.
- Drenați pompa.
- Deșurubați șuruburile de fixare ale filtrului (b).
- Înălțurați grilajul de aspirare (c).
- Curățați și remontați grilajul de aspirare.

10.2 Curățirea rotorului**(Fig.7)**

- Dezactivați alimentarea electrică a pompei.
- Drenați pompa.
- Deșurubați șuruburile de fixare ale filtrului (b).
- Înălțurați grilajul de aspirare (c).
- Spălați pompa cu apă curată pentru a îndepărta posibile impurități între motor și manșonul pompei (d).
- Curățați rotorul (d).
- Verificați dacă rotorul se poate învârti liber.
- Asamblați piesele în sens opus secvenței de demontare.

11. REZOLVAREA PROBLEMELOR

Înainte de a începe rezolvarea problemelor trebuie să deconectați alimentarea electrică a pompei (scoateți cablul din priză). În cazul în care cablul de alimentare sau orice componentă electrică a pompei este deteriorată, reparația sau înlocuirea trebuie efectuate de Producător sau de serviciul său de asistență tehnică sau de o persoană cu calificare echivalentă, pentru a preveni orice risc.

INCONVENIENTE		VERIFICĂRI (posibile cauze)	REMEDII
1	Motorul nu pornește și nu face zgomote.	A. Verificați dacă motorul este sub tensiune. B. Verificați siguranțele de protecție. C. Întrerupătorul nu este activat de la plutitor.	A. Verificați dacă cablul de alimentare este introdus corect în priză. B. Dacă sunt arse înlocuiți-le. C. - Verificați dacă plutitorul se mișcă liber. Îndreptați-l în sus. - Măriți adâncimea puțului.
2	Pompa nu evacuează apă.	A. Tubul de aspirare sau tubaturile sunt infundate. B. Rotorul este uzat sau infundat. C. Prevalența cerută este superioară caracteristicilor pompei. D. Prezența aerului.	A. Curățați materialele ce blochează grila sau întindeți furtunurile, dacă sunt răsucite. B. Înlocuiți rotorul sau înălțurați obstacolul. C. Înlocuiți-o cu una cu înălțime de pompare mai ridicată. D. Așteptați cel puțin 1 minut, până când este evacuat.
3	Pompa nu se oprește.	A. Întrerupătorul nu este activat de la plutitor.	A. Verificați dacă plutitorul se mișcă liber.
4	Capacitatea este insuficientă.	A. Verificați dacă grilajul de aspirare este parțial infundat. B. Verificați dacă rotorul sau tubul de aspirare au fost parțial blocate sau infundate. C. Verificați dacă valva de reținere.	A. Înălțurați eventualele blocări. B. Înălțurați eventualele blocări. C. Curățați cu grijă valva de reținere.
5	Pompa se oprește după ce a funcționat puțin timp.	A. Dispozitivul de protecție termopermetrică oprește pompa.	A. Verificați că lichidul nu este prea dens deoarece ar putea cauza supraîncalzirea motorului. B. Verificați că temperatura lichidului nu este. C. Asigurați-vă că rotorul nu este blocat de niciun corp solid.

12. GARANȚIA

Orice modificare neautorizată preventiv, eliberează producătorul de orice responsabilitate. Toate piesele de schimb utilizate pentru reparări trebuie să fie originale și toate accesoriile trebuie să fie autorizate de producător, pentru a putea garanta maximă siguranță a aparatelor și instalațiilor pe care acestea pot fi montate.

Acest produs este acoperit de garanția legală (în Comunitatea Europeană 24 de luni de la data cumpărării) pentru toate defectele cauzate de vicii de fabricație sau ale materialelor folosite.

Pe durata garanției produsul va putea, la discreție, să fie înlocuit cu unul în stare perfectă de funcționare sau să fie reparat gratuit, dacă sunt respectate următoarele condiții:

- produsul a fost folosit în mod corespunzător și în conformitate cu instrucțiunile și nu s-a încercat repararea de către cumpărător sau terțe părți.
- produsul a fost restituit la punctul de vânzare de unde a fost cumpărat, anexând documentul care demonstrează cumpărarea (factura sau bonul fiscal) și o scurtă descriere a problemei întâlnite.

Rotorul și piesele supuse uzurii nu sunt acoperite de garanție. Intervențiile efectuate în timpul garanției nu prelungesc, în niciun caz, perioada inițială.

СОДЕРЖАНИЕ

1. СФЕРЫ ПРИМЕНЕНИЯ.....	82
2. ПЕРЕКАЧИВАЕМЫЕ ЖИДКОСТИ.....	82
3. ТЕХНИЧЕСКИЕ ДАННЫЕ И ОГРАНИЧЕНИЯ В ЭКСПЛУАТАЦИИ.....	82
4. ЭКСПЛУАТАЦИЯ.....	83
4.1 Складирование.....	83
4.2 Транспортировка.....	83
4.3 Вес и размеры.....	83
5. ПРЕДУПРЕЖДЕНИЯ.....	83
6. МОНТАЖ.....	83
7. ЭЛЕКТРИЧЕСКОЕ ПОДКЛЮЧЕНИЕ.....	84
8. ЗАПУСК.....	84
9. ПРЕДОСТОРОЖНОСТИ.....	84
10. ТЕХНИЧЕСКОЕ ОБСЛУЖИВАНИЕ И ЧИСТКА.....	84
10.1 Чистка всасывающей решетки.....	85
10.2 Чистка крыльчатки.....	85
11. ПОИСК НЕИСПРАВНОСТЕЙ.....	85
12. ГАРАНТИЯ.....	85

ПРЕДУПРЕЖДЕНИЯ



Перед монтажом устройства внимательно прочитайте документацию.



Перед любой операцией отключите вилку. Категорически избегайте работы насоса без воды: насос может включаться, только если он погружен в воду. Если вода закончилась, насос следует немедленно остановить, отсоединив вилку из розетки электросети.

1. СФЕРЫ ПРИМЕНЕНИЯ

Мощные погружные насосы для дренажа и опустошения, а также небольшого орошения; они могут использоваться с грязной водой, в том числе при наличии предметов во взвеси с максимальным габаритом 38 мм. Насосы для бытового применения, с ручным или автоматическим включением, для откачивания воды из погребов и гаражей, подверженных затоплению, для откачивания из дренажных колодцев, колодцев сбора дождевой воды или просачиваний из водосточных желобов и т. д. Благодаря компактной, удобной форме насосы могут использоваться также в особых случаях, например, в качестве переносных аварийных насосов для выкачивания воды из резервуаров или рек, для осушения бассейнов и фонтанов, котлованов и подземных переходов. Используются также для садовых работ и разных бытовых увлечений.



Эти насосы нельзя использовать в бассейнах, прудах, водоемах в присутствии людей или для обработки углеводородов (бензин, дизель, горючие масла, растворители и т.п.) согласно нормативам против несчастных случаев, действующим в этой области. Они не спроектированы для непрерывной работы, а для использования в течение ограниченного периода времени в аварийной ситуации. Перед помещением на хранение следует очистить насос. См. главу “Техобслуживание и очистка”.

2. ПЕРЕКАЧИВАЕМЫЕ ЖИДКОСТИ

Чистая вода	•
Дождевая вода	•
Светлые сточные воды	•
Грязная вода	•
Мутные сточные воды с твердыми частицами с длинными волокнами	○
Вода из фонтанов	•
Речная или озерная вода	•
Макс.размеры частиц [мм]	Ø 38

Таблица 1

- Подходит
- Не подходит

Насос герметичный и должен быть погружен в жидкость на максимальную глубину 7 м. См. Таблицу 3.

3. ТЕХНИЧЕСКИЕ ДАННЫЕ И ОГРАНИЧЕНИЯ В ЭКСПЛУАТАЦИИ

- Напряжение электропитания: 220-240В, см. паспортную табличку

Сетевые предохранители 220-240В 50Гц
3

Таблица 2

- Плавкие предохранители с задержкой (версия 220-240В): приблизительные значения (Ампер)
- Температура складирования: -10°C +40°C

	Модель	Дренаж Грязная вода P1=1000
Электрические характеристики	P1 Номинальная потребляемая мощность [Вт]	1000
	Напряжение в сети [В]	220-240 AC
	Частота сети [Гц]	50
	Ток [А]	4.2
	Конденсатор [µF]	12.5
	Конденсатор [Vc]	450
Гидравлические характеристики	Максимальный расход [л/мин]	320
	Макс. высота напора [м]	11
	Макс. высота напора [бар]	1.1
	Макс. глубина погружения [м]	7
	Высота пуска мин. АВТ. [мм]	50
	Высота остаточной воды [мм]	50
Рабочий диапазон	Длина Кабель питания [м]	10
	Тип кабеля	H07 RNF
	Степень защиты двигателя	IP X8
	Класс изоляции	F
	Диапазон температуры жидкости [°C] согласно EN 60335-2-41 для бытового использования	0 °C / +35 °C
	Макс.размеры частиц [мм]	Ø 38
	Макс. Температура в помещении [°C]	+40 °C
Вес	DNM GAS	1" 1/2 F
	Вес нетто/брутто прим. [кг]	8.2 / 10.1

Таблица 3



Насос, не устанавливаемый на основание, не может подвергаться нагрузке трубопроводов, которая должна быть распределена иным способом.

4. ЭКСПЛУАТАЦИЯ

4.1 Складирование

Все насосы должны складироваться в крытом, сухом помещении, по возможности с постоянной влажностью воздуха, без вибраций и пыли. Насосы поставляются в их заводской оригинальной упаковке, в которой они должны оставаться вплоть до момента их монтажа.

4.2 Транспортировка

Предохраните изделия от лишних ударов и толчков.

4.3 Вес и размеры

Наклейка на упаковке указывает общий вес электронасоса и его размеры.

5. ПРЕДУПРЕЖДЕНИЯ



Насосы никогда не должны перевозиться, подниматься или включаться в подвешенном состоянии, используя кабель питания, используйте специальную ручку.

- Насос никогда не должен работать всухую.
- Насос помещается так, чтобы отверстия всасывающей ноги не были засорены, полностью или частично, грязью.
- Уплотнительное устройство содержит нетоксичную смазку, которая тем не менее может изменить свойства воды, если речь идет о чистой воде, в случае утечек из насоса.
- Насос оборудован температурной защитой двигателя. В случае возможного перегрева двигателя, температурная защита автоматически отключает насос. Время охлаждения составляет около 15-20 мин. после того, как насос автоматически включается. После срабатывания защиты двигателя необходимо определить причину нагрева и устранить ее. 10 Поиск неисправностей.

6. МОНТАЖ

Привинтите колесо при помощи резинового переходника, имеющегося в упаковке. Для моделей для грязной воды имеется только одно соединение 1"1/2, если вы хотите использовать трубу с большим диаметром, замените колесо. Используйте также хомут для затягивания трубы, для прикрепления трубы к соединению.

- Рекомендуется использовать трубы с минимальным внутренним диаметром 38 мм, чтобы избежать ухудшения эксплуатационных характеристик насоса и засорений.
- В том случае, если дно колодца, на который помещается насос, сильно загрязнен, следует предусмотреть приподнятую опору для того, чтобы избежать загрязнения решетки всасывания (Рис.1).
- Полностью погрузите насос в воду.
- Предусмотрите, чтобы колодец для размещения имел минимальные размеры, указанные ниже:
Размеры основания (мм) 400x400 / Высота (мм) 400
- Соблюдайте осторожность, чтобы поплавков мог свободно передвигаться, следует оставлять минимум 5 см от стенки колодца.
- Колодец всегда должен рассчитываться в зависимости от количества воды, поступающей в насос, и от расхода насоса таким образом, чтобы не подвергать двигатель чрезмерному количеству пусков в час; строго не рекомендуется превышать 20 пусков в час.



Насос должен быть установлен в вертикальном положении!

7. ЭЛЕКТРИЧЕСКОЕ ПОДКЛЮЧЕНИЕ



Длина сетевого кабеля насоса ограничивает максимальную глубину погружения при его эксплуатации. Выполняйте указания, приведенные на технической табличке и в руководстве в таблице 3.

8. ЗАПУСК

Существуют два режима работы:

• РУЧНОЙ (А)

Электронасосы, хотя они и оборудованы поплавком, могут использоваться в ручном режиме Рис.2

- 1) Закрепите поплавковый выключатель так, чтобы он находился вертикально над насосом (с кабелем внизу) (а). До тех пор, пока поплавковый выключатель находится сверху, насос продолжает работать независимо от уровня воды.
- 2) Вставить вилку кабеля питания в розетку питания 220-240В.
- 3) Насос начнет работать, проверьте, что он погружен в жидкость.

Соблюдайте осторожность, поскольку насос не будет остановлен автоматически, после достижения минимального уровня, он должен быть выключен вручную пользователем, или вынув вилку или опустив поплавок (автоматическая работа).

Уровень максимального всасывания достигается только в ручном режиме, так как в автоматическом режиме поплавковый выключатель останавливает работу насоса до достижения этого уровня.

• АВТОМАТИЧЕСКИЙ (В)

Модели с поплавковым выключателем включаются автоматически, когда уровень воды поднимается, и выключаются при достижении минимального уровня (Рис.3).

- 1) Дайте поплавку свободно двигаться.
- 2) Вставить вилку кабеля питания в розетку питания 220-240В.
- 3) Когда поплавок достигает уровня ВКЛ., насос включается и продолжает работать до достижения уровня ВЫКЛ.

Регулирование высоты пуска/останова:

(Высота минимального включения и выключения указана в главе Технические характеристики.)

Длина кабеля должна, с одной стороны позволять поплавковому выключателю двигаться свободно, а с другой стороны не позволять ему ложиться на дно. Длина кабеля между поплавком и углублением стопора кабеля не должна быть менее 10 см. Чем короче участок кабеля между поплавковым выключателем и углублением стопора кабеля, тем ниже будет высота пуска и выше высота останова. Вы можете изменить точку присоединения, например, на нижнем зажиме, при равной длине, вы получите более низкий уровень остановки и запуска (Рис.4). Насос поставляется с хомутиком (Рис. 5), который закрепляет кабель поплавка и препятствует его скольжению в зажиме, если вы захотите удлинить или укоротить свободный кабель поплавка, сместите хомутик рядом, если невозможно предусмотреть его замену. Однофазные двигатели оснащены температурной и амперометрической защитой и могут быть подключены напрямую к сети. ПРИМ.: если двигатель перегружен, он автоматически останавливается. После охлаждения автоматически вновь включаются без ручного вмешательства. Фильтр спроектирован так, чтобы регулировать свободный проход 30 мм до 5 мм, в случае использования с чистой водой, достаточно повернуть и опустить его.

9. ПРЕДОСТОРОЖНОСТИ

ОПАСНОСТЬ ЗАМЕРЗАНИЯ: когда насос остается не включенным при температуре ниже 0°C, необходимо убедиться, что в нем нет остатков воды, которые при замерзании могут привести к трещинам пластиковых частей. Если насос использовался с веществами, которые имеют тенденцию к отложению или с хлорированной водой, ополосните его после использования сильной струей воды, чтобы избежать формирования осадка или отложений, которые снижают эксплуатационные характеристики насоса.

10. ТЕХНИЧЕСКОЕ ОБСЛУЖИВАНИЕ И ЧИСТКА

В нормальном рабочем режиме электронасос не нуждается в каком-либо техническом обслуживании. В любом случае все работы по ремонту и техническому обслуживанию должны осуществляться после отсоединения насоса от сети электропитания. При перезапуске насоса проверить, чтобы всасывающий фильтр был всегда на месте во избежание опасности или возможности случайного контакта с подвижными органами.

10.1 Чистка всасывающей решетки

(Схема 6)

- Обесточить насос.
- Слить воду из насоса.
- Отвинтите крепежные винты на фильтре (b).
- Снять всасывающую решетку (c).
- Прочистить и установить на место всасывающую решетку.

10.2 Чистка крыльчатки

(Схема 7)

- Обесточить насос.
- Слить воду из насоса.
- Отвинтите крепежные винты на фильтре (b).
- Снять всасывающую решетку (c).
- Промыть насос чистой водой, удаляя все возможные загрязнения между двигателем и кожухом насоса (d).
- Прочистить крыльчатку (d).
- Проверить, чтобы крыльчатка вращалась свободно.
- Собрать все комплектующие в порядке, обратному демонтажу.

11. ПОИСК НЕИСПРАВНОСТЕЙ



Перед тем, как начинать поиск неисправностей, необходимо отсоединить электрическое питание от насоса (вынуть вилку из розетки). Если кабель питания или любая электрическая часть насоса повреждены, операция по замене или ремонту должна выполняться производителем или его службой техсервиса или квалифицированным человеком, чтобы избежать возможных опасностей.

НЕИСПРАВНОСТЬ	ПРОВЕРКИ (возможные причины)	МЕТОДЫ УСТРАНЕНИЯ
1 Двигатель не запускается и не издает звуков.	A. Проверить, чтобы двигатель был запитан. B. Проверить плавкие предохранители. C. Выключатель не активируется поплавком.	A. Проверить, чтобы вилка правильно вставлена. B. Если предохранители сгорели, замените их. C. - Проверить, чтобы поплавков не был заблокирован. Направьте его вверх. - Увеличить глубину колодца.
2 Насос не обеспечивает подачу воды.	A. Всасывающая решетка или трубы засорены. B. Крыльчатка изношена или заблокирована. C. Запрошенный напор превышает характеристики насоса. D. Наличие воздуха.	A. Удалите засорение или расправьте трубу, если она перекручена. B. Заменить крыльчатку или устранить препятствие. C. Замените на другую с большим напором. D. Подождите минимум 1 минуту до устранения.
3 Насос не останавливается.	A. Выключатель не отключается поплавком.	A. Проверить, чтобы поплавков не был заблокирован.
4 Недостаточный расход.	A. Проверить, чтобы всасывающая решетка не была частично засорена. B. Проверить, чтобы крыльчатка или нагнетательная труба не были частично засорены или покрыты налетами. C. Проверить, чтобы стопорный клапан (если имеется) не был частично засорен.	A. Удалить возможное засорение. B. Удалить возможное засорение. C. Тщательно прочистить стопорный клапан.
5 Насос останавливается после кратковременной работы.	A. Термоамперметрическая защита останавливает насос.	A. Проверить, чтобы перекачиваемая жидкость не была слишком плотной, что может вызвать перегрев двигателя. B. Проверить, чтобы температура воды не была слишком высокой. C. Проверьте, что твердые предметы не блокируют импеллер.

12. ГАРАНТИЯ



Любое ранее неуполномоченное изменение снимает с производителя всякую ответственность. Все запасные части, используемые при техническом обслуживании, должны быть оригинальными, и все вспомогательные принадлежности должны быть утверждены производителем для обеспечения максимальной безопасности персонала, оборудования и установки, на которую они устанавливаются.

Это изделие имеет гарантию (в Европейском Сообществе сроком на 24 месяца с даты покупки) на все дефекты, связанные с изготовлением или используемым материалом.

Изделие по гарантии может быть заменено на другое в рабочем состоянии или бесплатно отремонтировано при соблюдении следующих условий:

- изделие использовалось правильно и в соответствии с инструкциями, не производились попытки отремонтировать его самим покупателем или третьими лицами.
- изделие было передано в магазин, прилагая к нему документ, удостоверяющий покупку (счет или чек), и краткое описание встреченной проблемы.

Крыльчатка и части, подверженные износу, не входят в действие гарантии. Гарантийное обслуживание ни при каких обстоятельствах не продлевает действия гарантии.

OBSAH

1. APLIKÁCIE	86
2. ČERPATEĽNÉ KVAPALINY	86
3. TECHNICKÉ ÚDAJE A OBMEDZENIA PRI POUŽÍVANÍ.....	86
4. MANIPULÁCIA.....	87
4.1 Skladovanie.....	87
4.2 Prenášanie	87
4.3 Hmotnosť a rozmery.....	87
5. VAROVANIA	87
6. INŠTALÁCIA	87
7. ELEKTRICKÉ ZAPOJENIE	88
8. SPUSTENIE	88
9. OPATRENIA.....	88
10. ÚDRŽBA A ČISTENIE	88
10.1 Čistenie nasávacej mriežky	89
10.2 Čistenie obežného kolesa	89
11. VYHĽADÁVANIE PORÚCH.....	89
12. ZÁRUKA.....	89

VAROVANIA



Pred zahájením inštalácie si prečítajte dokumentáciu a pozorne kompletnú



Pred každým zásahom vyťahnite zástrčku zo zásuvky elektrickej siete. Nikdy neuvádzajte čerpadlo do chodu nasucho: čerpadlo spustíte až keď je ponorené do vody. Po vyčerpaní vody sa čerpadlo musí ihneď vypnúť vytiahnutím zástrčky zo zásuvky elektrickej siete.

1. APLIKÁCIE

Ponorné čerpadlo s plavákovým spínačom je špeciálne určené na čerpanie čistej, úžitkovej až kalovej vody s obsahom mäkkých nečistôt do veľkosti 38 mm. Je určené na prečerpávanie, vyčerpávanie a napájanie zavlažovacích kanálov menších zavlažovacích plôch (nie postrekovaním).

Čerpadlá pre použitie v domácnosti, s manuálnou alebo automatickou činnosťou, na odvodnenie zaplavených pivníc a garáží, na čerpanie drenážnych studní, na čerpanie zberných šácht pre zachytávanie dažďovej vody alebo priesakov z odkvapov, atď.

Vďaka compactnej a ovládateľnej forme nachádzajú zvláštne aplikácie aj ako prenosné čerpadlá pre núdzové situácie, ako sú odber vody z nádrží alebo riek, vyprázdnenie bazénov, fontán, výkopov, podchodov a podjazdov. Sú vhodné aj pre záhradkárčenie a hobby všeobecne.



Tieto čerpadlá nesmú byť používané v bazénoch, rybníkoch, nádržiach pri prítomnosti osôb alebo na čerpanie uhľovodíkov (benzín, nafta, vykurovacích olejov, riedidiel atď.) v súlade s platnými protiurazovými normami. Nie sú navrhnuté pre nepretržité použitie, ale len pre núdzové použitie na obmedzený čas. Pred ich odložením odporúčame čerpadlo vyčistiť. Vid' kapitola „Údržba a Čistenie“.

2. ČERPATEĽNÉ KVAPALINY

Čerstvá voda	•
Dažďová voda	•
Úžitková odpadová voda	•
Splaškové vody	•
Surová znečistená voda obsahujúca pevné tele-sá s dlhými vláknami	○
Voda z bazénov a fontán	•
Riečna alebo jazerná voda	•
Max. rozmery častíc [mm]	Ø 38

Tabuľka 1

- Vhodné
- Nevhodné

Čerpadlo je vodotesné a musí byť ponorené do kvapaliny s max. hĺbkou 7 m. Vid' Tabuľka 3

3. TECHNICKÉ ÚDAJE A OBMEDZENIA PRI POUŽÍVANÍ

- Napájacie napätie: 220-240V, pozri štítok s elektrickými údajmi
- Poistky vedenia s oneskorením (verzia 220-240V): indikatívne hodnoty (Ampér)
- Teplota skladovania: -10°C +40°C

Poistky vedenia 220-240V 50Hz
3

Tabuľka 2

SLOVENSKY

	Model	Čerpanie znečistenej vody P1=1000
Elektrické parametre	P1 Menovitý príkon [W]	1000
	Sieťové napätie [V]	220-240 AC
	Sieťová frekvencia [Hz]	50
	Prúd [A]	4.2
	Kondenzátor [μ F]	12.5
	Kondenzátor [Vc]	450
Vodné parametre	Max. prietok [l/min]	320
	Max. výtlačná výška [m]	11
	Max. dynamický tlak [bar]	1.1
	Max. hĺbka ponoru [m]	7
	Min. výška pre aut. spustenie [mm]	50
	Zvyšková výška vodného stĺpca [mm]	50
Prevádzkový rozsah	Dĺžka napájacieho kábla [m]	10
	Typ kábla	H07 RNF
	Trieda ochrany motora	IP X8
	Trieda izolácie	F
	Teplotný rozsah kvapaliny [°C] v súlade s EN 60335-2-41 pre používanie v domácnosti	0 °C / +35 °C
	Max. rozmery častíc [mm]	Ø 38
	Max. teplota prostredia [°C]	+40 °C
Ostatné	Pripojovací rozmer	6/4" (vnútorný)
	Čistá/hrubá hmotnosť pribl. [kg]	8.2 / 10.1

Tabuľka 3



Čerpadlo, ktoré nie je uložené na podstavci, nemôže niesť hmotnosť hadíc, ktorá musí byť nesená odlišne.

4. MANIPULÁCIA

4.1 Skladovanie

Všetky čerpadlá musia byť skladované na krytom a suchom mieste s podľa možnosti stálou vlhkosťou vzduchu, bez vibrácií a prachu. Dodávajú sa v originálnom obale, v ktorom musia zostať až do momentu inštalácie.

4.2 Prenášanie

Nevystavujte výrobky zbytočným nárazom a kolíziám.

4.3 Hmotnosť a rozmery

Na samolepiacom štítku, nalepenom na obale, je uvedená celková hmotnosť elektročerpadla a jeho rozmery.

5. VAROVANIA



Čerpadlá nesmú byť nikdy prepravované, dvíhané alebo uvádzané do chodu tak, že budú zavesené za napájací kábel; pre tento účel používajte príslušnú rukoväť.

- Čerpadlo nesmie byť nikdy uvedené do chodu nasucho.
- Zaisťte, aby sa žiadna osoba nedostala do kontaktu s vodou, v ktorej pracuje čerpadlo.
- Tesniace zariadenie obsahuje nejedovaté mazivo, ktoré však môže zmeniť charakteristiky vody a to v prípade úsekov s čistou vodou, ak by čerpadlo malo úniky.
- Motor čerpadla je vybavený tepelnou poistkou. V prípade, že stúpajúcou záťažou motora dôjde k jeho prehriatiu, tak táto poistka vypne prívod napájacieho napätia. Po vychladnutí motora, čo môže trvať cca 15 až 20 minút, poistka opäť čerpadlo zapne. Vždy, keď dôjde k aktivácii tepelnej poistky, je nutné zistiť a odstrániť príčinu prehriatia motora (viď časť Problémy a ich riešenie).

6. INŠTALÁCIA

Zaskrutkujte koleno s hadicovou spojkou, ktoré sa nachádza v balení. Pre verziu pre znečistenú vodu je k dispozícii prípojka pre potrubia s rozmerom 1"1/2; keby ste chceli použiť potrubie s väčším priemerom, vymeňte kolenovú spojkou. Ďalej použite sťahovaciu pásku na pripevnenie hadice k prípojke.

- Odporúča sa používať potrubie s minimálnym vnútorným priemerom 38 mm, aby sa zabránilo poklesu výkonu čerpadla a možnému upchatiu.
- V prípade, ak je dno šachty, o ktoré sa čerpadlo bude opierať, veľmi znečistené, je vhodné použiť zvýšený podstavec, aby sa zabránilo upchatiu nasávacej mriežky (obr. 1).
- Ponorte čerpadlo úplne do vody.
- Zaisťte, aby mala šachta na uloženie čerpadla nižšie uvedené minimálne rozmery:

Min. základné rozmery 400x400 mm / min. výška 400 mm

- Venujte pozornosť plaváku, ktorý sa musí voľne pohybovať, a preto ponechajte minimálnu vzdialenosť 5 cm od steny šachty.
- Rozmery šachty musia byť vždy navrhnuté v závislosti na množstve prichádzajúcej vody a na prietoku čerpadla, aby motor nebol vystavovaný nadmernému počtu spustení/hodinu; dôsledne sa odporúča neprekročiť 20 spustení/hodinu.



Čerpadlo musí byť inštalované vo zvislej polohe!

7. ELEKTRICKÉ ZAPOJENIE



Dĺžka napájacieho kábla na čerpadle obmedzuje maximálnu hĺbku ponoru pri jeho používaní. Dodržiavajte údaje uvedené na štítku s technickými parametrami a v tabuľke 3 tohto návodu.

8. SPUSTENIE

Existujú dva prevádzkové režimy:

• MANUÁLNY (A)

Elektročerpadlá môžu byť použité v manuálnom režime aj keď majú plavák - Obr. 2

- 1) Pripevnite plavákový spínač tak, aby zostal vo zvislej polohe nad čerpadlom (s káblom dolu) (a). Dokiaľ plavákový spínač zostane zdvihnutý, čerpadlo zostane v činnosti nezávisle na hladine vody.
- 2) Zasuňte zástrčku napájacieho kábla do zásuvky elektrickej siete s napätím 220-240V.
- 3) Čerpadlo sa spustí; uistite sa, že je ponorené do čerpanej kvapaliny.

Pri tomto režime buďte pozorní, pretože čerpadlo sa nevypne automaticky po dosiahnutí minimálnej hladiny, ale musí ho vypnúť manuálne užívateľ alebo musí vytiahnuť zástrčku napájacieho kábla zo zásuvky elektrickej siete alebo musí dať plavák do nižšej polohy (automatická činnosť).

Najnižšia hladina nasávania bude dosiahnutá len počas činnosti v manuálnom režime, pretože v stave automatickej činnosti plavákový spínač zastaví čerpadlo pred dosiahnutím uvedenej hladiny.

• AUTOMATICKÝ (B)

Modely vybavené plavákovým spínačom sú uvádzané do činnosti automaticky, keď hladina vody stúpne, a sú vypínané po dosiahnutí určenej minimálnej hladiny (obr. 3).

- 1) Umožnite plaváku voľne sa pohybovať.
- 2) Zasuňte zástrčku napájacieho kábla do zásuvky elektrickej siete s napätím 220-240V.
- 3) Keď plavák dosiahne hladinu ZAP., dôjde k spusteniu čerpadla, ktoré zostane v činnosti až do dosiahnutia hladiny VYP.

Nastavenie výšky spustenia/zastavenia:

(Ohľadne informácií o minimálnej výške zapnutia a vypnutia si prečítajte kapitolu Technické parametre.)

Dĺžka kábla musí na jednej strane umožniť plavákovému spínaču voľný pohyb a na druhej musí zabrániť, aby dosadol na dno. Časť kábla medzi plavákovým spínačom a prehĺbením káblovej príchytky nesmie mať menej ako 10 cm. Čím kratšia je časť kábla medzi plavákovým spínačom a prehĺbením káblovej príchytky, tým menšia bude výška spustenia, a tým väčšia bude výška zastavenia. Je možné zmeniť miesto pripevnenia, napríklad na spodnej klipse, a pri rovnakej dĺžke bude hladina zastavenia i hladina spustenia nižšia (obr. 4). Čerpadlo je dodávané so sťahovacou páskou (obr. 5), ktorá pripevňuje kábel plaváku a zabraňuje jeho posuvu v klipse. Keby ste sa rozhodli predĺžiť alebo skrátiť voľný kábel plaváku, premiestnite sťahovaciu pásku o odpovedajúci úsek, a v prípade, ak by to nebolo možné, vymeňte ju. Jednofázové motory sú vybavené vstavanou tepelno-prúdovou ochranou a môžu byť pripojené priamo do elektrickej siete. POZN.: v prípade preťaženia motora dôjde k jeho automatickému zastaveniu. Po vychladení bude automaticky uvedený do chodu bez toho, aby bol potrebný manuálny zásah.

Filter bol navrhnutý tak, aby bolo možné regulovať voľný priechod od 30 mm až do 5 mm, a v prípade čerpania čistej vody ho stačí jednoducho pootočiť a spustiť nadol.

9. OPATRENIA

NEBEZPEČENSTVO ZAMRZNUTIA: Keď čerpadlo zostane vypnuté pri teplote nižšej ako 0 °C, je potrebné sa uistiť, že sa v ňom nenachádzajú zvyšky vody, ktoré by pri zamrznutí mohli spôsobiť praskliny v plastových častiach.

Ak použijete čerpadlo na čerpanie látok, ktoré majú tendenciu vytvárať nánosy, alebo na čerpanie chlóranej vody, po použití ho opláchnite silným prúdom vody tak, aby sa zabránilo vytváraniu nánosov alebo usadenín, ktoré by mohli znížiť výkon čerpadla.

10. ÚDRŽBA A ČISTENIE

Elektrické čerpadlo si pri normálnej činnosti nevyžaduje žiaden typ údržby. V každom prípade akékoľvek zásahy opravy a údržby musia byť uskutočnené len po odpojení čerpadla z napájacej siete. Keď sa opätovne spúšťa čerpadlo, tak je potrebné sa uistiť o tom, aby bol vždy namontovaný nasávací filter, aby nevzniklo nebezpečenstvo alebo možnosť náhodného kontaktu s pohybujúcimi sa časťami.

10.1 Čistenie nasávacej mriežky**(Obrázok 6)**

- Odpojte elektrické napájanie čerpadla.
- Nechajte vytečť vodu z čerpadla.
- Odskrutkujte upevňovacie skrutky na filtri (b).
- Odstráňte nasávaciu mriežku (c).
- Očistite a opätovne namontujte nasávaciu mriežku.

10.2 Čistenie obežného kolesa**(Obrázok 7)**

- Odpojte elektrické napájanie čerpadla.
- Nechajte vytečť vodu z čerpadla.
- Odskrutkujte upevňovacie skrutky na filtri (b).
- Odstráňte nasávaciu mriežku (c).
- Umyte čerpadlo čistou vodou, aby sa odstránili možné nečistoty medzi motorom a plášťom čerpadla (d).
- Očistite obežné koleso (d).
- Overte, aby sa obežné koleso mohlo voľne otáčať.
- Zložte časti v opačnom zmysle k postupnosti demontáže.

11. VYHLADÁVANIE PORÚCH

Pred vyhľadávaním porúch vždy odpojte prírodný kábel od elektrickej siete (vytiahnite vidlicu prírodného kábla zo zásuvky). Ak zistíte nejaké poškodenie čerpadla alebo prírodného kábla, obráťte sa s opravou na výrobcu alebo na jeho autorizovaný servis alebo osobu s rovnakou kvalifikáciou, aby bolo zamedzené akémukoľvek nebezpečenstvu.

PORUCHA	OVERENIE (možné príčiny)	ODSTRÁNENIE
1 Motor sa nespustí a nevydáva zvuk.	A. Skontrolujte, či je motor pod napätím. B. Skontrolujte ochranné poistky. C. Vypínač sa neaktivuje plavákom.	A. Skontrolujte, či je zástrčka správne zasunutá do zásuvky elektrickej siete. B. Ak sú vadné poistky, tak ich vymeňte. C. Skontrolujte, či sa plavák voľne pohybuje. Umiestnite ho smerom nahor. Zväčšite hĺbku šachty.
2 Čerpadlo nečerpá tekutinu.	A. Nasávacia mriežka alebo hadice sú upchaté. B. Obežné koleso je opotrebované alebo upchaté. C. Požadovaná výtlačná výška je väčšia než charakteristiky čerpadla. D. Prítomnosť vzduchu.	A. Odstráňte upchatie alebo narovnajzte pokrútené hadice. B. Vymeňte obežné koleso alebo odstráňte upchatie. C. Vymeňte ho za iné, s vyššou výtlačnou výškou. D. Vyčkajte najmenej 1 minútu, dokiaľ nedôjde k jeho odstráneniu.
3 Čerpadlo sa nezastaví.	A. Vypínač sa nedeaktivuje plavákom.	A. Skontrolujte, či sa plavák voľne pohybuje.
4 Dopravované množstvo je nedostatočné.	A. Skontrolujte, či nasávacia mriežka nie je čiastočne upchatá. B. Skontrolujte, či obežné koleso alebo výstupné potrubie nie sú čiastočne upchaté alebo inkrustované. C. Skontrolujte, či spätný ventil (ak je predpokladaný) nie je čiastočne upchatý.	A. Odstráňte prípadné upchatie. B. Odstráňte prípadné upchatie. C. Dôkladne očistite spätný ventil.
5 Čerpadlo sa zastaví po krátkej činnosti.	A. Ochranné tepelno-prúdové zariadenie zastaví čerpadlo.	A. Skontrolujte, či čerpaná kvapalina nie je príliš hustá, pretože by spôsobila prehriatie motora. B. Skontrolujte, či teplota vody nie je príliš vysoká. C. Skontrolujte, či pevný predmet nezablokoval obežné koleso.

12. ZÁRUKA

Každá úprava, ktorá nebola autorizovaná vopred, zbavuje výrobcu zodpovednosti akéhokoľvek druhu. Všetky náhradné diely používané pri opravách musia byť originálne a všetko príslušenstvo musí byť autorizované výrobcom, aby sa mohla garantovať maximálna bezpečnosť strojov a zariadení, na ktorých môžu byť namontované.

Na tento výrobok sa vzťahuje právna záruka (v Európskom spoločenstve na dobu 24 mesiacov od dátumu zakúpenia) na všetky výrobné chyby alebo na použitý materiál.

Výrobok v záruke bude možné, na základe nenapadnuteľného rozhodnutia, buď vymeniť za iný v dokonale funkčnom stave alebo bezplatne opraviť, ak boli dodržané nižšie uvedené podmienky:

- výrobok bol používaný správnym spôsobom, v súlade s návodom, a nebol vykonaný žiadny pokus o opravu kupujúcim alebo treťou stranou;
- výrobok bol doručený do predajného miesta, v ktorom bol zakúpený, s priložením dokumentu, ktorý potvrdzuje zakúpenie (faktúra alebo účtenka) a krátkym popisom zaznamenaného problému.

Záruka sa nevzťahuje na časti vystavené opotrebovaniu, čo je najmä obežné koleso, upchávkový a tesnenia.

KAZALO

1. UPORABA.....	90
2. TEKOČINE, KI JIH JE MOGOČE ČRPATI	90
3. TEHNIČNI PODATKI IN OMEJITVE UPORABE	90
4. UPRAVLJANJE	91
4.1 Skladiščenje	91
4.2 Prevažanje	91
4.3 Teža in velikost	91
5. OPOZORILO	91
6. NAMESTITEV.....	91
7. PRIKLOP NA ELEKTRIKO.....	92
8. ZAGON.....	92
9. VARNOSTNI UKREPI.....	92
10. ČIŠČENJE IN VZDRŽEVANJE.....	92
10.1 Čiščenje sesalne rešetke	92
10.2 Čiščenje rotorja.....	92
11. ISKANJE OKVARE.....	93
12. GARANCIJA	93

OPOZORILO



Pred nameščanjem natančno preberite celotno dokumentacijo.



Pred vsakim posegom jo izklopite iz napajanja. V vsakem primeru se izognite delovanju na suho: črpalka se lahko zažene le, ko je potopljena v vodo. Če vode zmanjka, morate črpalo takoj izklopiti iz napajanja.

1. UPORABA

Močne potopne črpalke za črpanje in izpraznjevanje ter majhno namakanje; lahko se uporabljajo tudi za umazano vodo, tudi če so prisotni plavajoči delci v največji velikosti do 38 mm. Črpalke za gospodinjsko uporabo, z ročnim ali avtomatičnim delovanjem, za izsuševanje poplavljenih kletnih prostorov in garaž, za črpanje jaškov za odvodnjavanje, črpanje jaškov za zbiranje deževnice ali vode iz žlebov itd.

Zaradi kompaktnosti in priročnosti so uporabne tudi kot prenosne črpalke za nujne primere kot je zajemanje vode iz rezervoarjev ali rek, praznjenje bazenov in vodnjakov ali izkopov in podhodov. Primerna je tudi za vrtnarstvo in konjičke na sploh.



Teh črpalk ni mogoče uporabljati v bazenih, mlakah, bazenih z ljudmi oz. za črpanje ogljikovodikov (bencina, dizelskega goriva, oljnih goriv, topil itd.) v skladu z veljavnimi protinezgodnimi predpisi za področje. Niso oblikovane za stalno rabo temveč za nujno kratkotrajno rabo. Pred shranjevanjem je priporočljivo čiščenje. Glej poglavje "Čiščenje in vzdrževanje".

2. TEKOČINE, KI JIH JE MOGOČE ČRPATI

Sladke vode	•
Deževnica	•
Čiste odpadne vode	•
Umazane vode	•
Grobe odpadne vode s trdnimi delci z dolgimi vlakni	○
Voda iz vodnjaka	•
Voda iz rek ali jezer	•
Velikost delcev maks. [mm]	Ø 38

- Primerno
- Neprimerno

Črpalka je vodotesna in jo morate potopiti v tekočino do globine največ 7 m. Glej preglednico št. 3

Omrežna varovalka 220-240V 50 Hz
3

Preglednica2

3. TEHNIČNI PODATKI IN OMEJITVE UPORABE

- **Napajalna napetost: 220-240V**, glej tablico s podatki o elektriki
- **Tokovni prekinjevalnik (različica 220-240V):** okvirne vrednosti (amper)
- **Temperatura skladiščenja:** -10°C +40°C

SLOVENŠČINA

	Model	Črpanje umazane vode
		P1=1000
Električni podatki	P1 Nominalna vhodna moč [W]	1000
	Napetost omrežja	220-240 AC
	Frekvenca omrežja [Hz]	50
	Tok [A]	4.2
	Kondenzator [μ F]	12.5
	Kondenzator [Vc]	450
Hidravlični podatki	Maks. pretok [l/min]	320
	Maks. sesalna višina [m]	11
	Maks. sesalna višina [bar]	1.1
	Maks. globina potopa [m]	7
	Min. višina zagona AVT [mm]	50
	Višina preostale vode [mm]	50
Področje uporabe	Dol. Napajalni kabel [m]	10
	Vrsta kabla	H07 RNF
	Stopnja zaščite motorja	IP X8
	Izolacijski razred	F
	Polje temperature tekočine [°C] v skladu z EN 60335-2-41 za uporabo v gospodinjstvu	0 °C / +35 °C
	Maks. velikost delcev [mm]	Ø 38
	Maks. Temperatura okolja [°C]	+40 °C
Teža	DNM GAS	1" 1/2 F
	Neto/bruto teža ca. [kg]	8.2 / 10.1

Preglednica 3



Črpalka, ki ne stoji na podlagi ne more vzdržati teže cevododa, ki ga je treba drugače podpreti.

4. UPRAVLJANJE

4.1 Skladiščenje

Vse črpalke je treba skladiščiti v zaprtih in suhih prostorih s konstantno vlažnostjo zraka, brez vibracij in prašnih delcev. Dobavljajo se v originalnem pakiranju in se ne smejo odvijati do namestitve.

4.2 Prevažanje

Izdelkov ne izpostavljajte nepotrebnim udarcem in trkom.

4.3 Teža in velikost

Na nalepki na embalaži je navedena skupna teža električne črpalke in njena velikost.

5. OPOZORILO



Črpalak se ne sme nikoli prevažati, dvigovati ali vklapljeti tako, da visijo na napajalnem kablu. Za to se uporablja ustrezna ročica.

- Črpalke se ne sme nikoli vključiti na suhem.
- Črpalke morate postaviti tako, da odprtini sesalne noge ne ovira umazanija, niti delno, niti v celoti.
- Tesnilo vsebuje netoksično mazivo, ki lahko spremeni značilnosti vode, če gre za čisto vodo in bi črpalka puščala.
- Črpalka ima zaščito pred toplotno preobremenitvijo. Ob prekomernem segrevanju motorja avtomatično izklopi črpalko. Hlajenje traja prib. 15-20 min., nato se črpalka samodejno ponovno vklopi. Po posredovanju zaščite morate nujno poiskati vzrok za prekomerno segrevanje in ga odstraniti. Glej Iskanje okvare.

6. NAMESTITEV

Koleno privijte s priključkom za cev, ki ga najdete v embalaži. Za umazane vode je na razpolago samo priključek za 1"1/2 cevovod. Če se želi uporabiti cevovod z večjim premerom je treba zamenjati koleno. Za pritrditev cevi na priključek uporabite objemko.

- Priporoča se raba cevododa z notranjim premerom najmanj 38 mm, da se ne zmanjša sposobnost delovanja črpalke in ne pride do zamašitve
- Če bi bilo dno jaška na katero bo postavljena črpalka, zelo umazano, je priporočljivo predvideti dvignjeno podlago, da ne bi prišlo do zamašitve sesalne rešetke (Sl. 1).
- Črpalke v celoti potopite v vodo.
- Predvidite minimalne mere namestitvenega jaška kot sledi:
Min. osnovna velikost (mm) 400x400 / Min. višina (mm) 400
- Bodite pozorni, da se plovec lahko prosto giblje, pustite vsaj 5 cm od stene jaška.

- Velikost jaška je vedno treba izbirati tudi glede na količino vode in na nosilnost črpalke, da bi preprečili prepogosto zaganjanje motorja/uro. Zelo se priporoča, da se ne prekorači 20 zagonov/uro.



Črpalke je treba namestiti pokončno!

7. PRIKLOP NA ELEKTRIKO



Dolžina napajalnega kabla črpalke omejuje največjo možno globino potopa pri uporabi same črpalke. Upoštevajte navodila na tehnični tablici in v 3. tabeli tega priročnika.

8. ZAGON

Obstajata dva načina delovanja:

• ROČNO (A)

Električne črpalke se kljub plovcu lahko uporabljajo ročno Sl.2

- 1) Plavajoče stikalo pritrdite tako, da ostane navpično nad črpalke (s kablom spodaj) (a). Dokler ostaja plavajoče stikalo dvignjeno črpalke deluje ne glede na količino vode.
- 2) Vključite vtikač napajalnega kabla v vtičnico z napetostjo 220-240V.
- 3) Črpalke se zažene, preverite, da je potopljena v tekočino, ki jo mora posesati.

Pazite, saj se črpalke ne bo izklopila samodejno. Ko bo dosegla minimalni nivo jo bo moral uporabnik izključiti ročno z izklopom iz omrežja ali s spustom plovca (avtomatično delovanje).

Maksimalni nivo sesanja se doseže le med ročnim delovanjem, saj med avtomatičnim delovanjem plavajoče stikalo ustavi črpalke preden doseže ta nivo.

• AVTOMATIČNO (B)

Modeli s plovcem se zaženejo avtomatično, ko nivo vode naraste in se izklopijo ob dosegu predvidenega minimuma (Sl.3).

- 1) Pustite plovcu, da se prosto giblje.
- 2) Vključite vtikač napajalnega kabla v vtičnico z napetostjo 220-240V.
- 3) Ko bo plovec dosegel nivo ON se bo črpalke zagnala in bo delovala dokler ne doseže nivoja OFF.

Uravnavanje višine zagona/zaustavitve:

(Za minimalni nivo vklapljanja in izklapljanja glej poglavje Tehnični podatki.)

Dolžina kabla mora po eni strani omogočati prosto gibanje plavajočega stikala, po drugi pa preprečevati, da bi se usedel na dno. Del kabla med plavajočim stikalom in žlebom za kabel ne sme biti krajši od 10 cm. Krajši je del kabla med plavajočim stikalom in žlebom za kabel, nižji bo nivo zagona in toliko višji nivo zaustavitve. Lahko se spremeni točka pritrditve, npr. na spodnji zaponki, glede na dolžino bomo imeli nižji nivo zaustavitve in zagona (Sl.4). Črpalke se dobavlja s paskom (Sl.5), ki pritrjuje kabel plovca in preprečuje, da bi se premikal skozi zaponko. Če bi se odločili za podaljšanje ali skrajšanje prostega kabla plovca pasek ustrezno premaknite, če ga ne bi bilo mogoče zamenjati. Enofazni motorji imajo vgrajeno termično amperometrično zaščito in jih je mogoče povezati neposredno v omrežje. Pozor: ob preobremenitvi se motor samodejno ustavi. Ko se ohladi se samodejno ponovno zažene in ni potreben ročni poseg.

Filter je oblikovan tako, da lahko uravnava prosti prehod od 30 do 5 mm. Pri uporabi čiste vode se ga preprosto obrne in zmenjša.

9. VARNOSTNI UKREPI

NEVARNOST ZMRZOVANJA: če črpalke ostane v mirovanju pri temperaturi, ki je nižja od 0°C, je treba preveriti, da ni ostankov vode, ki bi lahko, če bi zmrznila, poškodovala plastične delce.

Če se je črpalke uporabljala s snovmi, ki se rade posedajo ali s klorirano vodo, jo po uporabi splahnite z močnim vodnim curkom, da se ne bi naredila prevleka, ki bi poslabšala značilnosti črpalke.

10. ČIŠČENJE IN VZDRŽEVANJE

Med normalnim delovanjem električna črpalke ne potrebuje vzdrževanja. Celotno vzdrževanje in popravila se lahko izvaja le po izklopu črpalke iz napajalnega omrežja. Ob ponovnem zagonu črpalke preverite, da je vedno nameščen sesalni filter, da ne bi povzročili nevarnosti ali možnosti za stik z gibajočimi delci.

10.1 Čiščenje sesalne rešetke

(Sl.6)

- Izklopite črpalke iz napajalnega omrežja.
- Izpraznite črpalke.
- Odvijte vijake, ki pritrjujejo filter (b).
- Odstranite sesalno rešetko (c).
- Očistite in ponovno namestite sesalno rešetko.

10.2 Čiščenje rotorja

(Sl.7)

- Izklopite črpalke iz napajalnega omrežja.
- Izpraznite črpalke.
- Odvijte vijake, ki pritrjujejo filter (b).
- Odstranite sesalno rešetko (c).
- Operite črpalke s čisto vodo, da odstranite morebitne nečistoče med motorjem in ohišjem črpalke (d).
- Očistite rotor (d).
- Preverite, če se rotor lahko prosto vrti.
- Sestavite dele v obratnem vrstnem redu kot pri razstavljanju.

11. ISKANJE OKVARE



Pred vyhledávaním porúch vždy odpojte prívodný kábel od elektrickej siete (vytiahnite vidlicu prívodného kábla zo zásuvky). Ak zistíte nejaké poškodenie čerpadla alebo prívodného kábla, obráťte sa s opravou na výrobcu alebo na jeho autorizovaný servis alebo osobu s rovnakou kvalifikáciou, aby bolo zamedzené akémukoľvek nebezpečenstvu.

	TEŽAVE	PREVERJANJE (možni vzroki)	REŠITVE
1	Motor se ne zažene in ne proizvaja hrupa.	A. Preverite, če je motor pod napetostjo. B. Preverite zaščitne varovalke. C. Plovec ne vključi stikala.	A. Preverite, če je vtikač pravilno vtaknjen B. Če so pregorele, jih zamenjajte C. -Preverite, da se plovec lahko prosto giblje. Postavite ga navzgor. -Povečajte globino jaška
2	Črpalka ne omogoča pretoka.	A. Sesalna rešetka ali cevovod sta zamašena. B. Rotor je obrabljen ali oviran. C. Zahtevana sesalna višina je višja od značilnosti črpalke. D. Prisotnost zraka.	D. Odstranite ovire ali raztegnite cevi, če so zavite. E. Zamenjajte rotor ali odstranite oviro. F. Zamenjajte jo z drugo, z višjo sesalno višino. G. Počakajte vsaj minuto, dokler se ne odstrani.
3	Črpalka se ne ustavi.	A. Plovec ne izključi stikala.	A. Preverite, da se plovec lahko prosto giblje.
4	Nezadostna sesalna višina.	A. Preverite, da sesalna rešetka ni delno ovirana. B. Preverite, da rotor ali dovodna cev nista delno ovirana ali nimata oblog. C. Preverite, da varnostni ventil (če predviden) ni delno zamašen	A. Odstranite morebitne ovire. B. Odstranite morebitne ovire. C. Skrbno očistite varnostni ventil
5	Črpalka se ustavi po krajšem delovanju.	A. Naprava za termično amperometrično zaščito ustavi črpalko.	A. Preverite, da tekočina za črpanje ni pregosta, saj bi povzročila pregrevanje motorja. B. Preverite, da temperatura vode ni previsoka. C. Preverite da rotorja ne ovirajo trdni delci.

12. GARANCIJA



Vsi nepooblaščen posegi proizvajalca razbremenjujejo vsakršne odgovornosti. Vsi rezervni deli, ki se uporabljajo pri popravilu morajo biti originalni in vsi pripomočki morajo biti pooblaščen s strani proizvajalca, tako da slednji lahko zagotovi maksimalno varnost strojev in sistemov, na katere se ti lahko nameščajo.

Ta izdelek krije pravno jamstvo (v Evropski skupnosti 24 mesecev od dneva nakupa) za vse napake zaradi proizvodnih napak ali napak na uporabljenem materialu.

Izdelek pod garancijo bo lahko zamenjan z drugim, brezhibno delujočim, ali brezplačno popravljen, če za to obstajajo sledeči pogoji:

- izdelek je bil rabljen ustrezno in v skladu z navodili ter ni prišlo do poskusa popravila s strani kupca ali tretjih oseb.
- izdelek je bil oddan na prodajnem mestu vključno z dokazilom o nakupu (račun ali blagajniški izpis) in krajšim opisom težave.

Rotor in delci, ki so podvrženi obrabi, niso vključeni v garancijo. Poseg pod garancijo le te ne podaljšuje.

TREGUESI I LËNDËS

1. ZBATIME.....	94
2. lëngje të pompueshme.....	94
3. TË DHËNA TEKNIKE E KUFIZIME NË PËRDORIM	94
4. ADMINISTRIMI.....	95
4.1 Magazinimi	95
4.2 Transporti	95
4.3 Pesha e përmasat	95
5. PARALAJMËRIME	95
6. INSTALIMI.....	95
7. LIDHJA ELEKTRIKE	96
8. NDEZJA	96
9. MASA PARAPRAKE	96
10. MIRËMBAJTJA E PASTRIMI	96
10.1 Pastrimi i rrjetës së thithjes	97
10.2 Pastrimi i rotorit.....	97
11. KËRKIMI I DEFEKTEVE.....	97
12. GARANCIA	97

PARALAJMËRIME



Para se të vijoni me instalimin lexoni me vëmendje të gjithë dokumentacionin.



Para çdo ndërhyrjeje, hiqeni spinën. Shmangeni në mënyrën më absolute funksionimin në të thatë: Pompa duhet të ndizet ekskluzivisht kur është e futur në ujë. Në qoftë se uji mbaron, pompa duhet të fiket menjëherë duke e hequr spinën nga korrenti.

1. ZBATIME

Pompat zhytëse të fuqishme për drenazhin, boshatisjen e ujitjen e vogël; mund të përdoren me ujëra të pista edhe në prani të trupave në suspension me vëllim maksimal deri në 38 mm. Pompat për përdorime shtëpiake, me funksionim me dorë ose automatik, për të tharë bodrume e garazhe që mund të përmblyten, për pompimin e puseve të drenazhit, pompimin e puseve për mbledhjen e ujit të shiut ose të depërtimeve që rrjedhin nga stjegullat e çatisë, etj.

Falë formës kompakte e të përdorshme gjejnë edhe zbatime të posaçme si pompa portative për raste emergjence si, thithja e ujit nga serbatorë ose lumenj, boshatisja e pishinave dhe e shatërvanëve, ose e gërmimeve dhe e nënkalimeve. E përshtatshme edhe për kopshtari e punë hobi në përgjithësi.



Këto pompa nuk mund të përdoren në pishina, pellgje, rezervuarë ku ka njerëz, dhe/ose për pompimin e hidrokarbureve (benzinë, naftë, vajra të djegshme, solventë, etj.) sipas normave ligjore kundër aksidenteve që janë në fuqi në këtë fushë. Nuk janë projektuar për përdorim të vazhdueshëm, por për raste emergjence, për një periudhë të kufizuar. Para se t'i rivendosni, do të ishte rregull i mirë të parashikonit një fazë pastrimi. Shikoni kapitullin “Mirëmbajtja e Pastrimi”.

2. LËNGJE TË POMPUESHME

Ujëra të freskëta	•
Ujë shiu	•
Ujëra të bardha të shkarkimit	•
Ujëra të papastra	•
Ujëra të papërpunuara me trupa solide me fibra të gjata	○
Ujë shatërvani	•
Ujë lumi ose liqeni	•
Përmasa e pjesëzave maksimumi [mm]	Ø 38

Tabelën 1

- I përshtatshëm
- I papërshtatshëm

Pompa është e papërshtatshme nga uji e duhet të zhytet në ujë deri në një thellësi maksimale prej 7m. Shikoni Tabelën 3.

3. TË DHËNA TEKNIKE E KUFIZIME NË PËRDORIM

- Tensioni i ushqimit: 220-240V, shikoni targën e të dhënave elektrike
- Siguresa të vonuara të linjës (versioni 220-240V): vlera indikative (Amperë)
- Temperatura e magazinimit: -10°C +40°C

Siguresa të linjës 220-240V 50Hz
3

Tabelën 2

SHQIP

	Modeli	Drenazhi ujëra të papastra P1=1000
Të dhëna elektrike	P1 Fuqia e thithur Nominale [W]	1000
	Voltazhi i rrjetit [V]	220-240 AC
	Frekuenca e rrjetit [Hz]	50
	Korrenti [A]	4.2
	Kondensatori [μ F]	12.5
	Kondensatori [Vc]	450
Të dhëna hidraulike	Prurja maksimale [l/min]	320
	Rezistenca maksimale [m]	11
	Rezistenca maksimale [bar]	1.1
	Thellësia maks. e zhytjes [m]	7
	Lartësia e ndezjes min. AUT [mm]	50
	Lartësia e ujit të mbetur [mm]	50
Fusha e përdorimit	Gjatësia e Kabllos së ushqimit [m]	10
	Lloji i kabllor	H05 RNF
	Shkalla e mbrojtjes së motorit	IP X8
	Klasa e izolimit	F
	Fusha e temperaturës së lëngut [°C] sipas EN 60335-2-41 për përdorim shtëpiak	0 °C / +35 °C
	Përmasa e pjesëzave maksimumi [mm]	Ø 38
	Maks. Temperatura e mjedisit [°C]	+40 °C
	DNM GAS	1" 1/2 F
Pesha	Pesha Neto/Bruto rreth [kg]	8.2 / 10.1

Tabela 3



Pompa që nuk mbështetet mbi një bazë nuk mund ta mbajë peshën e tubacioneve, të cilat duhet të mbahen ndryshe.

4. ADMINISTRIMI

4.1 Magazinimi

Të gjitha pompat duhet të magazinohen në një vend të mbuluar, të thatë e me lagështirë ajri mundësisht konstante, pa dridhje e pluhura. Jepen në ambalazhin e tyre origjinal ku duhet të rrinë deri në çastin e instalimit.

4.2 Transporti

Shmangini produktet nga goditjet e përplasjet e kota.

4.3 Pesha e përmasat

Targa ngjitëse e vendosur mbi ambalazh tregon peshën totale të elektropompës dhe përmasat e saj.

5. PARALAJMËRIME



Pompat kurrë nuk duhet të transportohen, të ngrihen ose të futen në punë kur gjenden pezull duke përdorur kabllon e ushqimit, duhet të përdorni dorezën e posaçme.

- Pompa nuk duhet të futet kurrë në punë në të thatë.
- Pompa duhet të pozicionohet në mënyrë që vrimat e këmbës thithëse të mos bllokohen, tërësisht ose pjesërisht nga papastërtia.
- Mekanizmi i mbajtjes përmban lubrifikant jo toksik, por që mund të ndryshojë karakteristikat e ujit, në rast se bëhet fjalë për ujë të pastër, në qoftë se pompa do të kishte rrjedhje.
- Pompa është e pajisur me një siguresë të motorit termike. Në rast mbinxehjeje eventuale të motorit, siguresa e fik pompën automatikisht. Koha e ftohjes është rreth 15-20 min. Pas kësaj pompa rindizet automatikisht. Pas ndërhyrjes së siguresës së motorit është absolutisht e nevojshme të kërkohet shkaku dhe të eliminohet. Konsultoni Kërkimin e Defekteve.

6. INSTALIMI

Vidhoseni bërrylin me lidhjen gomëmbajtëse që gjendet brenda në ambalazh. Për versionin ujërave të papastra kemi në dispozicion vetëm një lidhje për tubacionet me përmasa 1"1/2, në rast se dëshironi të përdorni një tubacion me diametër më të madh zëvendësojeni rakordin në formë bërryli. Përveç kësaj përdorni një fashetë për shtrëngimin e tubit për ta fiksuar tubin me lidhjen.

- Këshillohet përdorimi i tubacioneve që kanë diametër të brendshëm minimumi prej 38 mm për të shmangur uljen e rendimentit të pompës dhe mundësinë e bllokimeve.
- Në rast se fundi i pusit, ku pompa do të mbështetet, ka shumë papastërti, nevojitet të parashikohet një mbështetje e ngritur me qëllim që të shmangen bllokime në rrjetën e thithjes (Fig. 1).
- Zhyteni tërësisht pompën në ujë.
- Parashikoni që pusi i vendosjes të ketë përmasa minimale si vlerat e mëposhtme:
Përmasat bazë minimale (mm) 400x400 / Lartësia min. (mm) 400

- Kini kujdes me qëllim që galexhanti të jetë i lirë të lëvizë, lëreni të paktën 5 cm nga faqja e pusit.
- Pusi duhet të përmasohet gjithnjë edhe në lidhje me sasinë e ujit që vjen dhe me prurjen e pompës, në mënyrë që motori të mos i nënshtrohet ndezjeve/orë të tepërta, këshillohet rreptësisht të mos tejkalohen 20 ndezje/orë.



Pompa duhet të instalohet në pozicion vertikal!

7. LIDHJA ELEKTRIKE



Gjatësia e kablos së ushqimit që gjendet tek pompa kufizon thellësinë maksimale të zhytjes në përdorimin e vetë pompës. Respektoni udhëzimet e shkruara në targën teknike e në këtë manual tabela 3.

8. NDEZJA

Ekzistojnë dy mënyra funksionimi:

• ME DORË (A)

Megjithëse elektropompat e kanë galexhantin mund të përdoren sipas mënyrës me dorë (manuale) Fig.2

- 1) Mbërthejeni çelësin pluskues në mënyrë që të rrijë vertikal mbi pompën (me kabllon poshtë) (a). Derisa çelësi pluskues mbetet i ngritur, pompa mbetet në funksionim pavarësisht nga niveli i ujit.
- 2) Futeni spinën e kablos së ushqimit në një prizë korrenti me 220-240V.
- 3) Pompa do të hyjë në funksionim, sigurohuni që të jetë e zhytur në lëngun që duhet të thithë.

Kini vëmendjen sepse pompa nuk do të fiket automatikisht, pasi arrin nivelin minimal do të duhet të fiket me dorë nga përdoruesi, ose duke hequr spinën ose duke ulur galexhantin (funksionimi automatik).

Niveli i thithjes maksimale arrihet vetëm gjatë funksionimit me dorë, sepse në kushtet e funksionimit automatik çelësi pluskues e ndalon pompën para arritjes së këtij niveli.

• AUTOMATIKE (B)

Modelet e pajisura me çelës galexhant futen në funksionim automatikisht kur niveli i ujit ngrihet e fiken kur arrihet niveli minimal i parashikuar (Fig. 3).

- 1) Lëreni galexhantin të lëvizë lirisht.
- 2) Futeni spinën e kablos së ushqimit në një prizë korrenti me 220-240V.
- 3) Kur galexhanti arrin nivelin ON pompa do të fillojë punën e do të funksionojë derisa të arrihet niveli OFF.

Rregullimi i lartësisë së ndezjes/fikjes:

(Për të ditur lartësinë e futjes e nxjerrjes minimale, konsultoni kapitullin e të Dhënave teknike.)

Gjatësia e kablos nga një anë duhet t'i lejojë çelësit pluskues që të lëvizë lirisht e nga ana tjetër të shmangë që çelësi të shkojë në fund. Pjesa e kablos midis çelësit pluskues e qokës që bllokon kabllon nuk duhet të jetë më pak se 10 cm. Sa më shumë e shkurtër të jetë pjesa e kablos midis çelësit pluskues e qokës që bllokon kabllon, aq më e ulët do të jetë lartësia e ndezjes e aq më e lartë ajo e fikjes. Pika e mbërthimit mund të ndryshohet, për shembull në kapësen e mëposhtme, me të njëjtën gjatësi do të kemi nivel më të ulët të fikjes e të ndezjes (Fig. 4). Pompa dorëzohet e pajisur me një fashetë (Fig. 5) që mbërthen kabllon e galexhantit dhe ia pengon rrëshqitjen në kapëse; në rast se vendosni që ta zgjasni ose ta shkurtoni kabllon e lirë të galexhantit, zhvendoseni fashetën në pikën që korrespondon, në qoftë se nuk është e mundur të bëni zëvendësimin. Motorët njëfazorë janë të pajisur me mbrojtës termo-amperometrik të inkorporuar e mund të lidhen direkt me rrjetin. Shënim: nëse motori është i mbingarkuar fiket automatikisht. Pasi ftohet, rindizet automatikisht pa nevojën e asnjë ndërhyrjeje me dorë.

Filtri është projektuar në mënyrë të tillë që të rregullojë kalimin e lirë nga 30 mm deri në 5 mm, në rastin kur përdoren ujëra të bardha, mjafton thjesht ta rrotulloni e ta ulni.

9. MASA PARAPRAKE

RREZIK NGRIRJEJE: kur pompa mbetet e pandezur në temperaturë më të ulët se 0°C, duhet të siguroheni që të mos ketë mbetje ujore, e cila duke ngrirë mund të krijojë krisa në pjesët plastike.

Në qoftë se pompa është përdorur me lëndë që anojnë të depozitohen, ose me ujë të kloruar shpëlajeni pas përdorimit, me një hedhje uji të fuqishme në mënyrë që të shmanget formimi i depozitimeve ose i koreve që do t'i reduktonin karakteristikat e pompës.

10. MIRËMBAJTJA E PASTRIMI

Elektropompa gjatë funksionimit normal nuk kërkon asnjë lloj mirëmbajtjeje. Në çdo rast, të gjitha ndërhyrjet e riparimit dhe mirëmbajtjes duhet të kruhen vetëm pasi ta keni shkëputur pompën nga rrjeti i ushqimit me energji elektrike. Kur e ndizni përsëri pompën, sigurohuni që të jetë gjithnjë i montuar filtri i thithjes në mënyrë që të mos krijohet trezik ose mundësi për kontakt rastësor me pjesët në lëvizje.

10.1 Pastrimi i rrjetës së thithjes**(Fig.6)**

- Shkëputeni ushqimin elektrik nga pompa.
- Bëni drenazhin e pompës.
- Zhvidhosni vidhat e mbërthimit mbi filtër (b).
- Hiqeni rrjetën e thithjes (c).
- Pastrojeni e rimontojeni rrjetën e thithjes.

10.2 Pastrimi i rotorit**(Fig.7)**

- Shkëputeni ushqimin elektrik nga pompa.
- Bëni drenazhin e pompës.
- Zhvidhosni vidhat e mbërthimit mbi filtër (b).
- Hiqeni rrjetën e thithjes (c).
- Lajeni pompën me ujë të pastër për të hequr papastërti të mundshme midis motorit e këmishës së pompës (d).
- Pastroni rotorin (d).
- Verifikoni nëse rotor mund të rrotullohet lirisht.
- Montoni pjesët në drejtimin e kundërt me sekuencën e çmontimit.

11. KËRKIMI I DEFEKTEVE

Para se të filloni kërkimin e defekteve është nevojshme të ndërprisni lidhjen elektrike të pompës (hiqeni spinën nga priza). Nëse kabloja e ushqimit ose pompa në çdo pjesë të saj elektrike është e dëmtuar ndërhyrja e riparimit ose e zëvendësimit duhet të kryhet nga Ndërtuesi ose nga shërbimi i tij i asistencës teknike ose nga një person me kualifikimin e barasvlefshëm në mënyrë që të parandalohet çdo rrezik.

VËSHTIRËSI		VERIFIKIME (shkage të mundshme)	RREGULLIME
1	Motori nuk ndizet e nuk bën zhurmë.	A. Verifikoni nëse motori është në korrent. B. Verifikoni siguresat mbrojtëse. C. Çelësi nuk aktivizohet nga galexhanti.	A. Verifikoni nëse spina është e futur saktësisht B. Nëse janë djegur zëvendësojini C. -Verifikoni nëse galexhanti lëviz lirisht. Vendoseni në drejtimin e sipërm. - Rriteni thellësinë e pusit
2	Pompa nuk nxjerr prurje.	A. Rrjeta e thithjes ose tubacionet janë të bllokuara. B. Rotori është konsumuar ose bllokuar. C. Rezistenca e kërkuar është më e madhe se karakteristikat e pompës. D. Prania e ajrit.	A. Hiqni bllokimet ose shtrijeni tubacionin nëse është përdredhur B. Zëvendësojeni rotorin ose hiqni bllokimin. C. Zëvendësojeni me një rotor me rezistencë më të madhe. D. Prisni të paktën 1 minutë derisa eliminohet.
3	Pompa nuk ndalon.	A. Çelësi nuk çaktivizohet nga galexhanti.	A. Verifikoni nëse galexhanti lëviz lirisht.
4	Prurja është e pamjaftueshme.	A. Verifikoni nëse rrjeta e thithjes është e bllokuar pjesërisht. B. Verifikoni nëse rotor ose tubi i daljes së ujit është pjesërisht i bllokuar ose me kore. C. Verifikoni nëse valvula e moskthimit (kur është parashikuar) është pjesërisht e bllokuar.	A. Hiqni bllokime të mundshme.. B. Hiqni bllokime të mundshme. C. Pastroni me kujdes valvulën e moskthimit.
5	Pompa fiket pasi ka funksionuar për pak kohë.	A. Mekanizmi mbrojtës termo-amperometrik e ndalon pompën.	A. Verifikoni nëse lëngu për t'u pompuar është tepër i trashë, sepse do të shkaktonte mbinxehjen e motorit. B. Verifikoni nëse temperatura e ujit është tepër e lartë. C. Verifikoni që asnjë trup i ngurtë të mos e bllokojë rotorin.

12. GARANCIA

Çdo ndryshim i paautorizuar paraprakisht, i heq ndërtuesit çdo lloj përgjegjësie. Të gjitha pjesët e këmbimit të përdorura për riparimet duhet të jenë origjinale e të gjithë aksesorët duhet të autorizohen nga ndërtuesi, në mënyrë që të garantohej siguria maksimale e makinave dhe e impianteve mbi të cilat këto mund të montohen.

Ky produkt mbulohet nga garancia ligjore (në Komunitetin Evropian për 24 muaj nga data e blerjes) përse i përket të gjitha defekteve që i vishen problemeve të fabrikimit ose të materialit të përdorur.

Produkti në garanci, sipas dëshirës, mund të zëvendësohet me një tjetër në gjendje të përkryer funksionimi, ose të riparohet falas kur respektohen kushtet e mëposhtme:

- produkti është përdorur në mënyrë korrekte e në pajtim me udhëzimet e asnjë tentativë riparimi nuk është bërë nga blerësi ose nga të tretë.
- produkti është dorëzuar në pikëshitjen ku është blerë, duke bashkëlidhur dokumentin që vërteton blerjen (faturën ose kuponin tatimor) e një përshkrim të shkurtër të problemit të hasur.

Rotori e pjesët që konsumohen, nuk hyjnë në garanci. Ndërhyrja në garanci nuk përfshin në asnjë rast periudhën fillestare.

SADRŽAJ

1. PRIMENE	98
2. TEČNOSTI KOJE SE MOGU PUMPATI	98
3. TEHNIČKI PODACI I OGRANIČENJA UPOTREBE	98
4. UPRAVLJANJE	99
4.1 Skladištenje	99
4.2. Transport	99
4.3 Težina i dimenzije	99
5. UPOZORENJA	99
6. INSTALACIJA	99
7. ELEKTRIČNO PRIKLJUČIVANJE	100
8. POKRETANJE	100
9. MERE PREDOSTROŽNOSTI	100
10. ODRŽAVANJE I ČIŠĆENJE	100
10.1 Čišćenje usisne rešetke	101
10.2 Čišćenje rotora	101
11. TRAŽENJE KVAROVA	101
12. GARANCIJA	101

UPOZORENJA



Pre nego što počnete instalaciju pažljivo pročitajte svu dokumentaciju.



Pre svake intervencije iskopčajte utikač iz utičnice. Apsolutno izbegavajte rad na suvo: pumpa mora da se pusti u rad isključivo kad je potopljena u vodu. Ako dođe do nedostatka vode odmah deaktivirajte pumpu tako što ćete iskopčati utikač iz utičnice.

1. PRIMENE

Snažne potapajuće pumpe za drenažu i pražnjenje, kao i za navodnjavanje malih površina; mogu se koristiti sa prljavom vodom čak i u prisustvu lebdećih tela maksimalne veličine do 38 mm. Pumpe za kućne upotrebe, sa ručnim ili automatskim načinom tada, za isušivanje podruma i garaža koji su podložni poplavama, za pumpanje drenažnih bunara, slivnika za skupljanje kišnice ili kod prodiranja vode iz oluka, itd.

Zahvaljujući svom kompaktnom obliku, pogodnom za rukovanje, ove pumpe imaju i posebnu primenu kao prenosive pumpe u slučajevima nužde kao što su preuzimanje vode iz rezervoara ili reka, pražnjenje bazena, fontana, iskopa ili podvoznjaka ili podzemnih prolaza. Pogodne su i za baštovanstvo i hobije u opštem smislu.



Ove pumpe mogu da se koriste u bazenima, jezercima, slivovima uz prisustvo ljudi i/ili za pumpanje ugljovodonika (benzina, dizel goriva, ulja koja se koriste kao gorivo, rastvarača, itd), prema važećim propisima o zaštiti na radu. Nisu projektovane za stalnu upotrebu, već samo u slučajevima nužde i u ograničenom vremenskom periodu. Pre odlaganja, dobro je predvideti jednu fazu čišćenja. Pogledajte poglavlje "Održavanje i čišćenje".

2. TEČNOSTI KOJE SE MOGU PUMPATI

Sveža voda	•
Kišnica	•
Čista otpadna voda	•
Prljava voda	•
Nepretrađena voda sa čvrstim telima dugačkih vlakana	○
Voda iz fontane	•
Voda iz reka ili jezera	•
Maks. dimenzija čestica [mm]	Ø 38

Tabela 1

- Pogodna
- Nepogodna

Pumpa je nepropusna za vodu i mora da se potopi u tečnost na maksimalnoj dubini od 7 m. Pogledajte tabelu 3.

3. TEHNIČKI PODACI I OGRANIČENJA UPOTREBE

- **Napon napajanja: 220-240V**, pogledajte pločicu s električnim podacima
- **Tromi linijski osigurači (verzija 220-240V):** indikativne vrednosti (u amperima)
- **Temperatura skladištenja:** -10°C +40°C

Linijski osigurači 220-240V 50 Hz
3

Tabela 2

SRPSKI

	Model	Drenaža prijava vode P1=1000
Električni podaci	P1 Nominalna apsorbovana snaga [W]	1000
	Mrežni napon [V]	220-240 AC
	Mrežna frekvencija [Hz]	50
	Struja [A]	4.2
	Kondenzator [μ F]	12.5
	Kondenzator [Vc]	450
Hidraulični podaci	Maks. protok [l/min]	320
	Maks. napor vodenog stuba [m]	11
	Maks. napor vodenog stuba [bar]	1.1
	Maks. dubina potapanja [m]	7
	Min. visina pokretanja AUT [mm]	50
	Visina preostale vode [mm]	50
Polje upotrebe	Dužina kabla za napajanje [m]	10
	Vrsta kabla	H07 RNF
	Stepen IP zaštite motora	IP X8
	Klasa izolacije	F
	Polje temperature tečnosti [°C] prema standardu EN 60335-2-41 za upotrebu u domaćinstvu	0 °C / +35 °C
	Maks. dimenzija čestica [mm]	Ø 38
	Maks. temperatura ambijenta [°C]	+40 °C
Težina	DNM GAS	1" 1/2 F
	Neto/bruto težina cca [kg]	8.2 / 10.1

Tabela 3



Pumpa koja se ne oslanja na jednu podlogu ne može da podnese težinu cevi koje se u tom slučaju moraju podržati na drugi način.

4. UPRAVLJANJE

4.1 Skladištenje

Sve pumpe moraju da budu skladištene u zatvorenoj, suvoj prostoriji, bez vibracija i prašine, u kojoj vlažnost vazduha po mogućnosti ima stalnu vrednost. Pumpe se isporučuju u svojoj originalnoj ambalaži u kojoj moraju ostati do momenta instalacije.

4.2. Transport

Izbegavajte nepotrebne udare i sudare proizvoda.

4.3 Težina i dimenzije

Na ambalaži se nalazi nalepnica sa oznakom ukupne težine i dimenzija pumpe.

5. UPOZORENJA



Pumpe se nikad ne smeju prevoziti, podizati ili puštati u rad obešene za kabl za napajanje. Koristite odgovarajuću ručku.

- Pumpa ne sme nikad da radi na suvo.
- Pumpu treba postaviti tako da otvori na usisnoj nožici nisu ni potpuno ni delimično zapušeni prijavštinom.
- Zaptivka sadrži neotrovno mazivo, ali ono može da promeni osobine vode, u slučaju da se radi o čistoj vodi, ako postoji curenje iz pumpe.
- Pumpa je opremljena termičkom zaštitom motora. U slučaju eventualnog pregrevavanja motora, zaštita motora automatski isključuje pumpu. Vreme hlađenja iznosi otprilike 15-20 minuta, nakon čega pumpa se ponovno automatski uključuje. Nakon intervencije zaštite motora, apsolutno je potrebno potražiti uzrok tome i ukloniti ga. Pogledajte Traženje kvarova.

6. INSTALACIJA

Zavijte kolenasti element na priključak za crevo prisutan u ambalaži. Za verziju pumpe za prijavu vodu, na raspolaganju je samo jedan priključak za cevi od 1" 1/2. Ako želite da koristite cevi sa većim promerom, zamenite kolenasti priključak. Osim toga koristite i objumicu za cev da biste pričvrstili cev za priključak.

- Preporučuje se upotreba cevi sa minimalnim unutrašnjim promerom od 38 mm da bi se izbeglo smanjenje performanse pumpe i mogućnost začepjenja.
- U slučaju da je dno šahta, na koje će se pumpa osloniti, jako prijavu, potrebno je predvideti povišenu podlogu da bi se izbeglo začepjenje na usisnoj rešetki (Sl. 1).
- Potpuno potopite pumpu u vodu.
- Predvidite da šaht kućišta ima minimalne dimenzije prema sledećim vrednostima:
Min. dimenzije osnove (mm) 400x400 / Min. visina (mm) 400

- Pazite da se plovak slobodno kreće i ostavite najmanje 5 cm prostora od zida šahta.
- Šaht mora uvijek da bude odgovarajuće dimenzije i zavisno od količine vode koja pristiže i od kapaciteta protoka pumpe da motori ne bi bili podvrgnuti preteranim pokretanjima/sat. Izričito se preporučuje da broj pokretanja ne pređe 20 pokretanja/sat.



Pumpa mora da bude instalirana u uspravnom položaju!

7. ELEKTRIČNO PRIKLJUČIVANJE



Dužina kabla za napajanje prisutnog na pumpi ograničava maksimalnu dubinu potapanja kod korištenja same pumpe. Pridržavajte se uputstava navedenih na tehničkoj pločici i u ovom priručniku, tabela 3.

8. POKRETANJE

Postoje dva načina rada:

• RUČNI (A)

Iako su opremljene plovkom, električne pumpe mogu da se koriste na ručni način rada, sl. 2.

- 1) Pričvrstite plutajući prekidač tako da ostane u uspravnom položaju iznad pumpe (s kablom prema dole) (a). Dok god plutajući prekidač ostane podignut, pumpa radi bez obzira na nivo vode.
- 2) Uključite utikač kabla za napajanje u 220-240V utičnicu.
- 3) Pumpa će početi da radi. Uverite se da je potopljena u tečnost koju treba da usisava.

Pazite jer se pumpa neće automatski isključiti. Kad se dostigne minimalni nivo, korisnik je mora ručno isključiti, ili izvlačenjem utikača iz utičnice ili spuštanjem plovka (automatski rad).

Maksimalni nivo usisavanja se postiže samo kod ručnog načina rada, jer u automatskom radu plutajući prekidač zaustavlja pumpu pre dostizanja tog nivoa.

• AUTOMATSKI (B)

Modeli opremljeni plutajućim prekidačem počinju sa automatskim radom kad se nivo vode podigne i isključuju se kad se dostigne predviđeni minimalni nivo (Sl. 3).

- 1) Ostavite plovak da se slobodno kreće.
- 2) Uključite utikač kabla za napajanje u 220-240V utičnicu.
- 3) Kad plovak dostigne nivo ON, pumpa se pokreće i ostaje u funkciji dok ne dostigne nivo OFF.

Podešavanje visine pokretanja/zaustavljanja:

Da biste saznali koja je minimalna visina za uključivanje/isključivanje, pogledajte poglavlje Tehnički podaci.)

Dužina kabla sa jedne strane mora da dozvoli plutajućem prekidaču da se slobodno kreće, a sa druge strane mora da spreči da se on osloni na dno. Deo kabla između plutajućeg prekidača i žleba za zaustavljanje kabla ne sme da bude manji od 10 cm. Što je kraći deo kabla između plutajućeg prekidača i žleba za zaustavljanje kabla, toliko će biti niža visina pokretanja, a viša visina zaustavljanja. Mesto pričvršćivanja može da se promeni. Na primer, na donjoj spojnici, pri istoj dužini, dobiće se niži nivo zaustavljanja i pokretanja (Sl. 4). Pumpa se isporučuje sa obujmicom (Sl. 5) koja pričvršćuje kabl plovka i sprečava njegovo klizanje u spojnicu. U slučaju da odlučite da produžite ili smanjite dužinu slobodnog kabla plovka, pomaknite obujmicu na odgovarajuće mesto, ako nije moguće predvideti zamenu kabla. Monofazni motori opremljeni su ugrađenom termo-ampemetrijskom zaštitom i mogu da se direktno priključe na mrežu. Napomena: ako je motor preopterećen, automatski se zaustavlja. Kad se ohladi, automatski se ponovo pokreće bez ikakve potrebe za ručnom intervencijom.

Filter je projektovan tako da može da se reguliše slobodan prolaz od 30 mm do 5 mm. U slučaju upotrebe sa čistom vodom, dovoljno je jednostavno okrenuti i spustiti filter.

9. MERE PREDOSTROŽNOSTI

OPASNOST OD ZAMRZAVANJA: kad pumpa ostane neaktivna na temperaturi nižoj od 0°C, treba proveriti da nema preostale vode koja bi mogla da se zamrzne i dovede do stvaranja pukotina na plastičnim delovima.

Ako je pumpa korištena sa supstancama koje se polažu, ili sa hlorisanom vodom, nakon upotrebe isperite je snažnim mlazom vode da bi se izbeglo stvaranje naslaga koji bi mogle da umanje karakteristike pumpe.

10. ODRŽAVANJE I ČIŠĆENJE

Prilikom normalnog rada električne pumpe, nema potrebe za bilo kakvim održavanjem. U svakom slučaju sve intervencije popravki i održavanja moraju se vršiti samo nakon što se pumpa iskopča sa mreže napajanja. Kad se pumpa ponovo pokrene, uverite se da je uvek montiran usisni filter da se ne bi stvorila opasnost ili mogućnost slučajnog kontakta s delovima u pokretu.

SRPSKI

10.1 Čišćenje usisne rešetke

(Sl. 6)

- Prekinite električno napajanje pumpe.
- Izvršite drenažu pumpe.
- Odvijte pričvrstne vijke na filteru (b).
- Skinite usisnu rešetku (c).
- Očistite i ponovno montirajte usisnu rešetku.

10.2 Čišćenje rotora

(Sl. 7)

- Prekinite električno napajanje pumpe.
- Izvršite drenažu pumpe.
- Odvijte pričvrstne vijke na filteru (b).
- Skinite usisnu rešetku (c).
- Operite pumpu čistom vodom da biste uklonili moguće nečistoće između motora i košuljice pumpe (d).
- Očistite rotor (d).
- Proverite da li se rotor slobodno okreće.
- Sklopite delove obrnutim redosledom u odnosu na rasklapanje.

11. TRAŽENJE KVAROVA



Pre nego što počnete sa traženjem kvarova, potrebno je prekinuti električno povezivanje pumpe (izvucite utikač iz utičnice). Ako kabl za napajanje ili pumpa imaju oštećenja na bilo kojem električnom delu, intervenciju popravke ili zamene mora da vrši proizvođač ili njegov ovlašćeni servis ili ekvivalentna kvalifikovana osoba da bi se sprečio bilo kakav rizik.

PROBLEMI	PROVERE (mogući uzroci)	REŠENJA
1 Motor se ne pokreće i ne stvara buku.	A. Proverite da li je motor pod naponom. B. Proverite zaštitne osigurače. C. Prekidač se ne aktivira plovkom.	A. Proverite da li je utikač pravilno umetnut. B. Ako su pregoreli, zamenite ih. C. - Proverite da se plovak slobodno kreće. Postavite ga prema gore. - Povećajte dubinu šahta.
2 Pumpa ne izbacuje tečnost.	A. Usisna rešetka ili cevi su blokirane. B. Rotor je istrošen ili blokiran. C. Traženi napor vodenog stuba je viši od karakteristika pumpe. D. Prisustvo vazduha.	A. Uklonite prepreke ili rastegnite cev ako je zamotana. B. Zamenite rotor ili uklonite zapreku. C. Zamenite pumpu drugom sa višim naporom vodenog stuba. D. Sačekajte najmanje 1 minut dok se ne ukloni.
3 Pumpa se ne zaustavlja.	A. Prekidač se ne deaktivira plovkom.	A. Proverite da se plovak slobodno kreće.
4 Protok je nedovoljan.	A. Proverite da usisna rešetka nije delimično blokirana. B. Proverite da rotor ili potisna cev nisu delimično blokirani ili prekriveni naslagama. C. Proverite da zaporni ventil (ako je predviđen) nije delimično začepljen.	A. Uklonite eventualne zapreke. B. Uklonite eventualne zapreke. C. Pažljivo očistite zaporni ventil.
5 Pumpa se zaustavlja nakon kratkotrajnog rada.	A. Uređaj za termo-amperometrijsku zaštitu zaustavlja pumpu.	A. Proverite da li je tečnost koja se pumpa previše gusta jer bi mogla da uzrokuje pregrevanje motora. B. Proverite da li je temperatura vode previsoka. C. Proverite da li su prisutna čvrsta tela koja blokiraju rotor.

12. GARANCIJA



Bilo kakva promena koja nije prethodno ovlašćena, oslobađa proizvođača od bilo kakve odgovornosti. Svi rezervni delovi korišćeni u popravkama moraju da budu originalni i sva dodatna oprema mora da bude ovlašćena od strane proizvođača da bi se mogla garantovati maksimalna bezbednost mašina i postrojenja na kojima one mogu da budu montirane.

Ovaj proizvod pokriven je legalnom garancijom (u Evropskoj zajednici rok je 24 meseca od datuma kupovine) koja se odnosi na sve defekte nastale greškama u proizvodnji ili zbog korištenog materijala.

Proizvod u garantnom roku može da bude, prema potrebi, zamenjen proizvodom u savršenom radnom stanju ili besplatno popravljen ako se poštuju sledeći uslovi:

- proizvod je korišten na pravilan način i u skladu sa uputstvima i kupac ili treće osobe nisu pokušali da ga poprave ni na koji način;
- proizvod je predat prodajnom mjestu, uz prilog dokumenta koji potvrđuje njegovu kupovinu (faktura ili fiskalni račun) i kratkog opisa problema.

Rotor i delovi podložni trošenju nisu pokriveni garancijom. Intervencija u garantnom roku ni u kom slučaju ne produžuje početni period.

INNEHÅLLSFÖRTECKNING

1. ANVÄNDNINGSSOMRÅDEN	102
2. VÄTSKOR SOM KAN PUMPAS.....	102
3. TEKNISKA DATA OCH ANVÄNDNINGSBEGRÄNSNINGAR	102
4. HANTERING	103
4.1 Förvaring	103
4.2 Transport.....	103
4.3 Vikt och mått.....	103
5. SÄKERHETSFÖRESKRIFTER	103
6. INSTALLATION	103
7. ELANSLUTNING.....	104
8. START.....	104
9. FÖRSIKTIGHETSÅTGÄRDER	104
10. UNDERHÅLL OCH RENGÖRING.....	104
10.1 Rengöring av insugningsgaller	104
10.2 Rengöring av rotor.....	104
11. FELSÖKNING	105
12. GARANTI	105

VARNINGSFÖRESKRIFTER



Läs hela
bruksanvisningen
noggrant
före installationen.



Dra alltid ut stickkontakten ur eluttaget före ingrepp på pumpen.
Torrkörning är förbjuden: Pumpen får endast startas när den är nedsänkt i
vattnet. Om vattnet tar slut måste pumpen omedelbart stängas av genom att
stickkontakten dras ut ur eluttaget.

1. ANVÄNDNINGSSOMRÅDEN

Starka dränkbara pumpar för dränering, tömning och mindre bevattning, som kan användas för smutsigt vatten med partiklar i suspension med en max. storlek på 38 mm. Pumpar för hushållsbruk, med manuell eller automatisk funktion, för torrläggning av översvämmade källare och garage, för pumpning i dräneringsbrunnar, brunnar för dagvatten eller infiltrationsvatten från takrännor o.s.v.

Tack vare pumparnas kompakta och lätthanterliga utformning går de även att använda som nödpumpar för transportabel användning som t.ex. för tappning av vatten från cisterner och vattendrag, tömning av bassänger, fontäner, schakt eller gångtunnlar. Lämpar sig även för trädgårds- och hobbybruk.



Dessa pumpar kan inte användas i simbassänger, dammar, bassänger i närvaro av personer eller för pumpning av kolväte (bensin, diesel, eldningsolja, lösningsmedel o.s.v.) i enlighet med gällande olycksförebyggande standard. De är inte konstruerade för en kontinuerlig användning, utan som nödpumpar under en begränsad period. Rengör dem gärna före avställningen. Se kapitel Underhåll och rengöring.

2. VÄTSKOR SOM KAN PUMPAS

Rent vatten	•
Dagvatten	•
Spillvatten	•
Smutsigt vatten	○
Råvatten som innehåller fasta partiklar med långa fibre	○
Fontänvatten	•
Flod- eller sjövattnet	•
Max. kornstorlek [mm]	Ø 38

Tabell 1

- Lämplig
- Ej lämplig

Pumpen är helt tät och ska sänkas ned i vätskan till ett djup på max. 7 m. Se tabell 3.

3. TEKNISKA DATA OCH ANVÄNDNINGSBEGRÄNSNINGAR

- **Matningsspänning: 220-240V**, Se märkplåten över elektriska data
- **Fusibili di linea ritardati (220-240Vversionen):** Ungefärliga värden (Ampere)
- **Förvaringstemperatur:** -10°C +40°C

Säkringar för elledning 220-240V 50Hz
3

Tabell 2

SVENSKA

	Modell	Dränering smutsigt vatten
		P1=1000
Elektriska data	P1 Nominell effektförbrukning [W]	1000
	Nätspänning [V]	220-240 AC
	Nätfrekvens [Hz]	50
	Ström [A]	4.2
	Kondensator [µF]	12.5
	Kondensator [Vc]	450
Hydrauliska data	Max. flöde [L/min]	320
	Max. uppfodringshöjd [m]	11
	Max. uppfodringshöjd [bar]	1.1
	Max. nedsänkingsdjup [m]	7
	Min. starthöjd AUT [mm]	50
	Restvattnets höjd [mm]	50
Användningsområde	Nätkabelns längd [m]	10
	Typ av kabel	H07 RNF
	Skyddsgrad för motor	IP X8
	Isoleringsklass	F
	Temperaturområde för vätska [°C] enligt SS-EN 60335-2-41 för hushållsbruk	0 °C / +35 °C
	Max. kornstorlek [mm]	Ø 38
	Max. omgivningstemperatur [°C]	+40 °C
Vikt	DNM GAS	1" 1/2 F
	Ungefärlig netto-/bruttovikt [kg]	8.2 / 10.1



Pumpen som inte är försedd med någon stödbas klarar inte rörens vikt. Rören måste därför stödjas på annat sätt.

4. HANTERING

4.1 Förvaring

Alla pumpar måste förvaras på en plats som är övertäckt, torr och med så konstant luftfuktighet som möjligt, samt fri från vibrationer och damm. Pumparna levereras i sina originalemballage, där de ska förvaras fram till installationstillfället.

4.2 Transport

Undvik att utsätta produkterna för onödiga stötar och kollisioner..

4.3 Vikt och mått

Klistermärket på emballaget anger elpumpens totala vikt och mått.

5. SÄKERHETSFÖRESKRIFTER



Pumparna får aldrig transporteras, lyftas eller startas hängandes i nätkabeln. Använd det därtill avsedda handtaget.

- Pumpen får aldrig torrköras.
- Pumpen ska placeras så att hålen i sugbasen inte sätts igen helt eller delvis av smuts.
- Tätningsanordningen innehåller smörjmedel som inte är gif-tigt men som kan förändra vattnets karakteristik (då vattnet är rent) om pumpen skulle läcka.
- Pumpen är utrustad med ett motorskydd. Om motorn överhettas stänger motorskyddet av pumpen automatiskt. Pumpen startar automatiskt när motorn har svalnat (efter ca 15 - 20 min). När motorskyddet löser ut är det nödvändigt att söka efter orsaken till detta och åtgärda problemet. Se Felsökning.

6. INSTALLATION

Skruva fast rörböjen med slangkoppling som medföljer i emballaget. Det medföljer endast en koppling för en 1"1/2 rörledning till versionen för smutsigt vatten. Byt ut rörböjen om du vill använda en rörledning med större diameter. Använd dessutom en slangklämma för att fästa röret vid kopplingen.

- Det rekommenderas att använda rörledningar som har en innerdiameter på min. 38 mm för att undvika att pumpens kapacitet försämras och ev. igensättning.
- Om det är mycket smutsigt på brunnens botten där pumpen ska installeras bör pumpen placeras på ett upphöjt stöd för att undvika igensättning av insugningsgallret (fig. 1).
- Sänk ned pumpen helt och hållet i vattnet.
- Kontrollera att brunnen har de min. mått som framgår av följande värden:
Basmått min. (mm) 400x400 / Höjd min. (mm) 400
- Se till att flottören kan röra sig obehindrat. Lämna min. 5 cm från brunnens vägg.
- Brunnen måste alltid dimensioneras i förhållande till mängden inloppsvatten och pumpens kapacitet, så att motorn inte måste starta ett överdrivet antal gånger per timme. Det rekommenderas å det bestämdaste att inte överskrida 20 starter per timme.



Pumpen ska installeras vertikalt!

7. ELANSLUTNING



Längden på elpumpens nätkabel bestämmer max. nedsänkingsdjup vid användningen av elpumpen. Följ anvisningarna på märkplåten och i denna bruksanvisning (tabell 3).

8. START

Det finns två funktionssätt:

• MANUELLT (A)

Elpumparna kan användas i manuell funktionssätt trots att de har en flottör (fig. 2).

- 1) Fäst flottörbrytaren så att den är placerad vertikalt ovanför pumpen (med kabeln nedtill) (a). Så länge flottörbrytaren förblir upplyft fortsätter pumpen att vara igång oberoende av vattennivån.
- 2) Sätt i nätkabelns stickkontakt i ett 220-240V eluttag.
- 3) Pumpen startar. Försäkra dig om att den är nedsänkt i vätskan som ska sugas in.

Tänk på att pumpen inte stängs av automatiskt. När min. nivån nås måste användaren stänga av pumpen manuellt, antingen genom att dra ut stickkontakten ur eluttaget eller genom att sänka flottören (automatiskt funktionssätt).

Max. insugningsnivå nås endast under manuell funktionssätt eftersom flottörbrytaren vid automatiskt funktionssätt stoppar pumpen innan nivån nås.

• AUTOMATISKT (B)

Modeller som är utrustade med flottörbrytare startas automatiskt när vattennivån stiger och stängs av när min. nivån nås (fig. 3).

- 1) Se till att flottören kan röra sig obehindrat.
- 2) Sätt i nätkabelns stickkontakt i ett 220-240V eluttag.
- 3) När flottören når starthöjden (ON) startas pumpen och fortsätter att vara igång tills den når stopphöjden (OFF).

Inställning av start-/stopphöjden:

(Se kapitel Tekniska data för start-/stopphöjd.)

Kabellängden ska dels medge att flottörbrytaren kan röra sig obehindrat, dels förhindra att kabeln ligger på botten. Den bit av kabeln som är placerad mellan flottörbrytaren och spåret för kabelklämman ska vara min. 10 cm lång. Ju kortare denna bit av kabeln är mellan flottörbrytaren och spåret för kabelklämman, desto lägre blir starthöjden och desto högre blir stopphöjden. Det går att byta fastsättningspunkt. Om t.ex. den nedre clipsen används, erhålls det en lägre stopp- och starthöjd i förhållande till längden (fig. 4). Pumpen levereras med en kabelklämma (fig. 5) som fäster flottörens kabel och förhindrar att den glider i clipsen. Om du bestämmer dig för att förlänga eller förkorta den bit av flottörens kabel som är fri ska kabelklämman flyttas på motsvarande sätt. Byt ut den om detta inte är möjligt. Enfasmotorerna är utrustade med inbyggda amperometrisk värmskydd och kan anslutas direkt till elnätet. OBS! Om motorn är överbelastad stängs den automatiskt av. När motorn har svalnat startar den automatiskt igen, utan att något manuellt ingrepp behöver utföras.

Tack vare filtrets utformning går det att reglera den fria passagen från 30 mm ned till 5 mm när det används klart vatten. Det räcker att vrida och sänka filtret.

9. FÖRSIKTIGHETSÅTGÄRDER

FROSTRISK: När pumpen står oanvänd vid en temperatur under 0 °C är det nödvändigt att försäkra sig om att det inte finns något vatten kvar i pumpen som kan skapa sprickor i plastkomponenterna när vattnet fryser.

Om pumpen används med ämnen som har en tendens att ge avlagringar, eller med klorerat vatten, ska pumpen spolas av med en kraftig vattenstråle efter användning för att undvika att avlagringar och förhårdnader bildas som kan reducera pumpens prestanda.

10. UNDERHÅLL OCH RENGÖRING

Elpumpen kräver inget underhåll vid normal användning. Pumpen ska alltid frångkopplas från eltilförseln vid alla reparationer och underhåll. Kontrollera alltid att insugningsfiltret är monterat när pumpen startas om för att inte orsaka fara eller risk för kontakt med delar i rörelse.

10.1 Rengöring av insugningsgaller

(Fig.6)

- Frånkoppla pumpen från eltilförseln.
- Töm pumpen
- Skruva loss fästskruvarna på filtret (b).
- Ta bort insugningsgallret (c).
- Rengör och återmontera insugningsgallret.

10.2 Rengöring av rotor

(Fig.7)

- Frånkoppla pumpen från eltilförseln.
- Töm pumpen.
- Skruva loss fästskruvarna på filtret (b).
- Ta bort insugningsgallret (c).
- Rengör pumpen med rent vatten för att ta bort ev. orenheter mellan motorn och pumpens mantel (d).
- Rengör rotorn (d).
- Kontrollera att rotorn kan rotera obehindrat.
- Montera delarna i omvänd ordning mot demonteringen.

11. FELSÖKNING



Innan felsökningen påbörjas måste du koppla bort pumpens elanslutning (dra ut stickkontakten ur eluttaget). Vid skador på elkabeln eller någon av pumpens elektriska komponenter ska reparationer och byten av delar ombesörjas av tillverkaren eller en auktoriserad serviceverkstad eller av en person med likvärdig behörighet. Detta för att undvika risk för skador.

PROBLEM	KONTROLLER (möjliga orsaker)	ÅTGÄRDER
1 Motorn startar inte och ger inte ifrån sig något ljud.	A. Kontrollera att motorn är spänningssatt. B. Kontrollera skyddssäkringarna. C. Brytaren aktiveras inte av flottöre.	A. Kontrollera att stickkontakten sitter korrekt i eluttaget. B. Byt ut dem om de är brända. C. - Kontrollera att flottören rör sig obehindrat. Dra den uppåt. - Öka brunnens djup.
2 Pumpen pumpar inte.	A. Insugningsgallret eller rören är igensatta. B. Rotorn är utsliten eller igensatt. C. Krävd uppfordringshöjd är högre än pumpens prestanda. D. Air närvaro.	A. Ta bort igensättningarna eller räta ut rörledningen om den har snott sig. B. Byt ut rotorn eller åtgärda igensättningarna. C. Byt ut den mot en med högre uppfordringshöjd. D. Vänta minst 1 minut tills de elimineras.
3 Pumpen stannar inte.	A. Brytaren deaktiveras inte av flottöre.	A. Kontrollera att flottören rör sig obehindrat.
4 Kapaciteten är otillräcklig.	A. Kontrollera att insugningsgallret inte är delvis igensatt. B. Kontrollera att rotorn eller utloppsroret inte är delvis igensatta eller har beläggningar. C. Kontrollera att avstängningsventilen (om denna finns) inte är delvis igensatt.	A. Åtgärda igensättningarna. B. Åtgärda igensättningarna. C. Rengör avstängningsventilen noggrant.
5 Pumpen stannar en kort stund efter start.	A. Det amperometriska värmeskyddet stänger av pumpen.	A. Verificare che il liquido che deve essere pompato non sia troppo viscoso, in modo da non sovraccaricare il motore. B. Controllare che la temperatura del liquido non sia troppo alta. C. Controllare che non ci siano corpi estranei che bloccano la ruota.

12. GARANTI



Alla ej auktoriserade ändringar befriar tillverkaren från allt ansvar. Alla reservdelar som används vid reparationer måste vara original och alla tillbehör måste godkännas av tillverkaren, så att de kan garantera maximal säkerhet för de maskiner och anläggningar där de ska monteras.

Denna produkt täcks av en lagstadgad garanti (i europeiska unionen i 24 månader från inköpsdatumet) avseende samtliga fabriktions- och materialfel.

Produkten som omfattas av garantin kan, på tillverkarens inrådan, antingen bytas ut mot en i perfekt funktionsskick eller repareras gratis om följande villkor är uppfyllda:

- Produkten har använts korrekt och enligt anvisningarna och inga reparationsförsök har utförts av köparen eller tredje man.
- Produkten har lämnats in till inköpsstället tillsammans med dokumentet som bekräftar köpet (faktura eller kvitto) och en kort beskrivning av det påträffade felet.

Rotorn och sliddelarna omfattas inte av garantin. Garantiåtgärder förlänger aldrig i något fall den ursprungliga garantiperioden.

İÇİNDEKİLER

1. UYGULAMALAR.....	106
2. POMPALANABİLİR SIVILAR.....	106
3. TEKNİK VERİLER VE KULLANIM SINIRLANDIRMALARI.....	106
4. İŞLETME.....	107
4.1 Depolama.....	107
4.2 Nakledilme.....	107
4.3 Ağırlık ve ölçüler.....	107
5. UYARILAR.....	107
6. KURMA.....	107
7. ELEKTRİK BAĞLANTISI.....	108
8. ÇALIŞTIRMA.....	108
9. TEDBİRLER.....	108
10. BAKIM VE TEMİZLİK.....	108
10.1 Emme ızgarasının temizlenmesi.....	109
10.2 Rotorun temizlenmesi.....	109
11. ARIZA TESPİTİ.....	109
12. GARANTİ.....	109

UYARILAR



Kuruluma başlamadan önce tüm dokümantasyonu dikkatlice okuyunuz.



Herhangi bir işlemten önce fişi çekiniz. Pompanın kuru çalıştırılmasından kesinlikle kaçınılmalıdır: Pompa sadece ve sadece suya daldırılmış halde iken çalıştırılır. Su bittiğinde pompa fişten çekilmek suretiyle hemen kapatılmalıdır.

1. UYGULAMALAR

Drenaj, tahliye ve küçük sulama için kullanılan güçlü dalgıç pompalar, 38 mm'ye kadar hatta içerisinde yüzer halde katı maddeler ihtiva eden kirlı sularda da kullanılabilir. Sel ve yağmur sularına tabi bodrumların ve garajların tahliye edilmesi için, drenaj kuyularının pompalanması için, yağmur suyu toplama kuyularının ya da oluklardan gelen filtrasyonun pompalanması için,manuel ya da otomatik modda çalışan evdeki kullanımlar için pompalar.

Kompakt ve pratik kullanışlı şekli sayesinde, depolardan veya nehirlerden su alma, havuzların ve fiskiyelerin veya kazı veya yeraltı geçitlerinin tahliyesi gibi acil durumlarda portatif pompa olarak özel uygulamalarda da kullanılabilir. Bahçecilik ve genelde hobi uğraşları için de uygundur.



Bu pompalar, konuya ilişkin yürürlükte bulunan kaza önleme yönetmeliklerine göre havuzlarda, durgun sularda, içinde insan bulunan su havzalarında veya hidrokarbonların (benzin, gaz yağı, mazot, eritici sıvılar) pompalanması için kullanılamaz. Sürekli kullanım için değil fakat sınırlı bir süre acil durumlar için tasarlanmıştır. Yerleştirilmeden önce temizlik prosedürü öngörmek iyi bir kural olacaktır. "Bakım ve Temizlik" bölümüne bakınız.

2. POMPALANABİLİR SIVILAR

Tatlı sular	•
Yağmur suyu	•
Berrak atık sular	•
Pis sular	•
Uzun lifli katı cisimleri içeren pis su kanalı sular	○
Çeşme suyu	•
Nehir veya göl suları	•
Maks. partikül ebatı [mm]	Ø 38

Tablo 1

- Uygun
- Uygun değil

Pompa su geçirmezdir ve maksimum 7 metrelik derinliği olan sıvılar içine daldırılabilir. Bakınız tablo 3.

3. TEKNİK VERİLER VE KULLANIM SINIRLANDIRMALARI

- Besleme gerilimi: 220-240V, elektrik verileri etiketine bakınız
- Geciktirilmiş hat sigortaları (versiyon 220-240V): Takribi değerler (Amper)
- Depolama sıcaklığı: -10°C +40°C

220-240V 50Hz hat sigortaları
3

Tablo 2

TÜRKÇE

	Model	Pis sular drenajı
		P1=1000
Elektrik verileri	P1 Nominal Çekilen güç [W]	1000
	Şebeke voltajı [V]	220-240 AC
	Şebeke frekansı [Hz]	50
	Akım [A]	4.2
	Kondansatör [µF]	12.5
	Kondansatör [Vc]	450
Hidrolik veriler	Maks. kapasite [l/dak]	320
	Maks. basma yüksekliği [m]	11
	Maks. basma basıncı [bar]	1.1
	Maks. dalma derinliği [m]	7
	OTO. başlatma min. yüksekliği [mm]	50
	Kalan su yüksekliği [mm]	50
Kullanım alanı	Besleme kablosu uzunluğu [m]	10
	Kablo tipi	H07 RNF
	Motor koruma derecesi	IP X8
	İzolasyon sınıfı	F
	Sıvı sıcaklık aralığı [°C]	0 °C / +35 °C
	Evde kullanım için EN 60335-2-41 standardına	
	Maks. partikül ebatı [mm]	Ø 38
	Maks. Ortam sıcaklığı [°C]	+40 °C
Ağırlık	DNM GAS	1" 1/2 F
	Net/Brüt ağırlık yaklaşık [kg]	8.2 / 10.1

Tablo 3



Bir taban üzerine yaslanmayan pompa boruların ağırlığını taşıyamaz; bundan dolayı boruların ağırlığının farklı şekilde desteklenmesi gerekir.

4. İŞLETME

4.1 Depolama

Tüm pompalar kapalı, kuru ve hava nemi mümkün olduğunca sabit olan, titreşim ve toz bulandırmayan mekânlarda depolanmalıdır. Kurulma anına kadar içinde kalmaları gereken orijinal ambalajları içinde teslim edilirler.

4.2 Nakledilme

Ürünlerin gereksiz darbe ve çarpışmalara maruz kalmasından kaçınınız.

4.3 Ağırlık ve ölçüler

Ambalaj üzerindeki yapışkan etikette elektro pompanın toplam ağırlığı ve ebatları yer almaktadır.

5. UYARILAR



Pompalar kesinlikle besleme kablosu kullanılarak asılı halde taşınmamalı, kaldırılmamalı veya çalıştırılmamalıdır; hususi kolu kullanınız.

- Pompa asla kuru çalıştırılmamalıdır. • İmalatçı Firma, pompanın kurcalanmış veya tadil.
- Pompa, emici ayak deliklerinin, kirlere tarafından tamamen ya da kısmen tıkanmayacağı bir şekilde konumlandırılmalıdır.
- Sızdırmazlık salmastrasında zehirli olmayan yağlayıcı bulu-nur ancak bu, suyun saf su olması halinde, pompada kaçak meydana gelirse, suyun özelliklerinde değişikliğe neden ola-bilir.
- Pompa, bir termik motor koruyucu (Termostat) ile donatılmıştır. Motorun muhtemel bir aşırı ısınma durumunda, motor koruyucu, pompayı otomatik olarak devreden çıkartır. Soğutma süresi yaklaşık 15-20 dakikadır, daha sonra pompa otomatik olarak devreye girer. Motor koruyucunun müdahalesinden sonra, nedenini bulmak ve bunu ortadan kaldırmak kesinlikle zaruridir. Arıza Araştırmalarına Başvurun.

6. KURMA

Ambalaj içinde yer alan lastik yuvalı bağlantı elemanlı dirseği takınız. Pis su versiyonu için sadece 1"1/2 lik ebatlı hortumlarla uyumlu tek bir bağlantı elemanı mevcuttur; daha büyük çapta bir hortum kullanılması gerektiğinde dirsek rekoru değiştiriniz. Ayrıca, hortumu bağlantı elemanına sabitlemek için hortum bağlama kelepçesi kullanınız.

- Pompa performansının düşmesini ve tıkanma olasılığını önlemek için iç çapı en az 38 mm ölçüsünde olan boru kullanılması tavsiye edilir.
- Pompanın dayanacağı kuyu dibinin önemli ölçüde pislikli olması durumunda emme ızgarasının tıkanmasını önlemek için pompanın altına bir destek yerleştirilmesi uygun olacaktır (Şek.1).
- Pompayı tamamen suya daldırınız.
- Pompanın yerleştirileceği kuyunun ebatlarının minimum aşağıdaki değerlerde olmasını sağlayınız:
Temel boyutlar minimum (mm) 400x400 / Yükseklik minimum (mm) 400

TÜRKÇE

- Şamandıranın hareket etmek için serbest olmasına dikkat ediniz, kuyu çeperine en az 5 cm mesafe bırakınız.
- Kuyu, motoru aşırı çalıştırma/uzun saatlere maruz bırakmayacak şekilde gelen su miktarına ve pompa kapasitesi ile ilgili olarak da ebatlandırılmış olmalıdır. Kesinlikle 20 çalıştırma/saatin aşılması tavsiye edilir.



Pompa dikey pozisyonda kurulmalıdır!

7. ELEKTRİK BAĞLANTISI



Pompanın üzerinde mevcut olan besleme kablo-sunun uzunluğu, pompanın kullanımında maksimum dalma derinliğini sınırlandırır. Teknik etikette ve bu kılavuzdaki Tablo 3'de yer alan gösterge değerlerine uyunuz.

8. ÇALIŞTIRMA

İki çalışma şekli (modu) vardır:

• MANÜEL

Elektro pompalar şamandıraya sahip oldukları için manüel şekilde de kullanılabilirler Şek.2

- 1) Flatör şalteri pompanın üzerinde dikey bir şekilde kalacak şekilde sabitleyiniz (alttaki kablo ile) (a).Flatör şalter kaldırılmış olarak kalıncaya kadar pompa su seviyesinden bağımsız olarak çalışır halde kalacaktır.
- 2) Besleme kablosunun fişini 220-240V'luk bir prize takınız.
- 3) Pompa çalışmaya başlayacaktır, pompanın emilecek sıvının içine daldırılmış olduğundan emin olunuz.

Pompanın otomatik olarak kapanmamasına dikkat ediniz, minimum seviyeye ulaştıktan sonra kullanıcı tarafından manüel olarak veya fişi çekilmek suretiyle veya şamandıra aşağı indirilerek (otomatik çalışma) kapanmalıdır.

Otomatik çalışmada maksimum seviyeye varmadan önce yüzey şalter pompayı durdurduğu için yalnızca manüel çalışma esnasında maksimum emme seviyesine ulaşılır.

• OTOMATİK (B)

Flatör şalter ile donatılmış modeller su seviyesi yükseldiği zaman otomatik olarak çalışmaya başlar ve öngörülen minimum seviyeye ulaştığında ise kapanır (Şek.3).

- 1) Şamandırayı hareket etmesi için serbest bırakınız.
- 2) Besleme kablosunun fişini 220-240V'luk bir prize takınız.
- 3) Şamandıra ON seviyesine ulaştığında pompa çalışmaya başlayacaktır ve OFF seviyesine ulaşınca kadar çalışmaya devam edecektir.

Çalışmaya başlama/durma yükseklik ayarı:

(Pompanın minimum devreye girme ve devreden çıkma yüksekliği ile ilgili Teknik bilgiler bölümüne başvurunuz.)

Kablo uzunluğu bir taraftan flatör şalterin serbest bir şekilde hareket etmesine izin vermelidir ama diğer taraftan dibe oturmasını engellemelidir. Flatör şalter ile kablo durdurma yuvası arasındaki kablo uzunluğu 10 cm'den daha az olmamalıdır. Flatör şalter ile kablo durdurma yuvası arasındaki kablo uzunluğu ne kadar kısa olursa çalışmaya başlama yüksekliği daha aşağıda ve durdurma yüksekliği ise o kadar yukarıda olacaktır. Sabitleme noktası değiştirilebilir, örneğin alt klips üzerindeki eşit uzunluğa getirildiğine, daha aşağıda durdurma ve başlama seviyesi elde edilir (Şek.4). Pompa ile birlikte şamandıra kablosunu sabitleyen ve klips içinde kaymasını engelleyen bir kelepçe (Şek. 5) tedarik edilir. Şamandıranın serbest kablosunun uzatılması veya kısaltılması istendiğinde ilgili kelepçenin yeri değiştirilir, eğer yerini değiştirmek mümkün değilse kelepçeyi başka bir kelepçe ile değiştiriniz. Monofaz motorlar gövdeye entegre edilmiş termo-amperometrik koruma ile donatılmıştır ve doğrudan şebeke elektriğine bağlanabilir. ÖNEMLİ NOT: Eğer motor aşırı yükte ise otomatik olarak durur. Soğuduktan sonra manüel müdahaleye gerek kalmaksızın otomatik olarak yeniden çalışmaya başlar.

Filtre, 30 mm'den 5 mm'ye kadar serbest geçiş ayarlayabilmek için tasarlanmıştır; bulanık olmayan sularla kullanılması durumunda filtreyi çevirmek ve aşağı eğmek yeterlidir.

9. TEDBİRLER

DONMA TEHLİKESİ: Pompa 0°C derece altında sıcaklıklarda çalışmadan kaldığında, donduklarında plastik kısımlarının çatlamasına sebep olabilecek su artıklarının bulunmadığının kontrol edilmesi zorunludur.

Pompanın birikme eğilimi gösteren maddelerle kullanılmış olması halinde, pompanın özelliklerini azaltma eğilimi gösteren birikintilerin veya tufalların oluşmasını önlemek üzere kullanımdan sonra pompayı kuvvetli bir su jeti ile durulayınız.

10. BAKIM VE TEMİZLİK

Normal işlemede elektro pompanın herhangi bir tip bakıma ihtiyacı yoktur. Her halükarda tüm onarım ve bakım müdahaleleri sadece pompanın besleme şebekesi ile bağlantısı kesildikten sonra yapılmalıdır. Pompa yeniden harekete geçirildiğinde, hareket halinde olan kısımlarla tesadüfî bir temas imkânı oluşturulmaması veya tehlike yaratmaması için daima emiş filtresinin monte edilmiş olduğukontrol edilerek emin olunmalıdır.

TÜRKÇE

10.1 Emme ızgarasının temizlenmesi

(Resim 6)

- Pompanın elektrik beslemesini devreden çıkarınız.
- Pompanın drenajını yaptırınız.
- Filtre üzerindeki sabitleme vidalarını sökünüz (b).
- Emiş ızgarasını çıkarınız (c).
- Emiş ızgarasını temizledikten sonra yeniden monte ediniz.

10.2 Rotorun temizlenmesi

(Resim 7)

- Pompanın elektrik beslemesini devreden çıkarınız.
- Pompanın drenajını yaptırınız.
- Filtre üzerindeki sabitleme vidalarını sökünüz (b).
- Emiş ızgarasını çıkarınız (c).
- Pompayı, motor ve pompa gömleği arasındaki olası kirleri gidermek için temiz suyla yıkayınız (d).
- Rotoru temizleyiniz (d).
- Rotorun serbest şekilde dönebildiğini kontrol ediniz.
- Parçaları sökme sırasına göre ters sırayla işlem görerek ye-niden birleştiriniz.

11. ARIZA TESPİTİ



Arızanın araştırmasına başlamadan önce pompanın elektrik bağlantısının kesilmesi gerekir (fişi prizden çekiniz). Besleme kablosu veya pompanın herhangi bir elektrik aksamı zarar görmüş ise onarım veya parça değiştirme işlemi İmalatçı veya imalatçının teknik servisi veya her türlü riski önleyecek şekilde bilgi donanımına sahip kalifiye kişiler tarafından yapılmalıdır.

ARIZALAR	KONTROLLER (olası nedenler)	ÇÖZÜMLER
1 Motor hareke-te geçmiyor ve gürültü çıkarmıyor.	A. Motorun gerilim altında olduğunu kontrol ediniz. B. Koruma sigortalarını kontrol ediniz. C. Şalter flatörtarafından etkinleştirilmiyor.	A. Fişin doğru bir şekilde takılı olduğunu kontrol ediniz. B. Yanmışsalar, yeni-leriyle değiştiriniz. C. - Flatörün serbest şekilde hareket edebildiğini kontrol ediniz. Yukarı doğru yerleştiriniz. - Çukurun derinliğini artırınız.
2 Pompa akış dağıtmıyor.	A. Emiş ızgarası veya boru hattı tıkanmış. B. Rotor aşınmış veya tıkalı. C. Gerekli basma yüksekliği pompa özelliklerinden daha yüksek. D. Havanın mevcudiyeti	A. Tıkanıklıkları gideriniz veya kıvrılmış hortumları düzeltiniz. B. Rotoru değiştiriniz veya tıkanıklığı gideriniz. C. Daha yüksek bir basma yüksekliği ile değiştiriniz. D. Giderilinceye kadar en az 1 dakika bekleyiniz.
3 Pompa durmuyor.	A. Şalter flatörtarafından devre-den çıkarılmıyor.	A. Flatörün serbest şekilde hareket edebildiğini kontrol ediniz.
4 Debi yetersiz.	A. Emiş ızgarasının kısmen tıkalı olmadığını kontrol ediniz. B. Rotor veya besleme hortumunun kısmen tıkalı olmadıklarını veya tufal oluşmuş olup olmadığını kontrol ediniz. C. Çek vanasının (öngörölmüş ise) kısmen tıkalı olmadığını kontrol ediniz.	A. Olası tıkanıklıkları gideriniz. B. Olası tıkanıklıkları gideriniz. C. Çek vanasını özenle temizleyiniz.
5 Az bir süre işledikten sonra pompa stop ediyor.	A. Termal – ampe-rometrik koruma cihazı pompayı durduruyor.	A. Motorun aşırı ısınmasına neden olacağından, pom-palanacak sıvının fazla yoğun olmadığını kontrol ediniz. B. Su sıcaklığının fazla yüksek olmadığını kontrol ediniz. C. Muhtemel bir katı nesnenin pervaneyi bloke edip etmediğinden emin olun.

12. GARANTİ



Önceden izin verilmemiş olan her türlü değişiklik, üreticiyi her tür sorumluluktan muaf kılar. Onarımlarda kullanılan tüm yedek parçaların orijinal olması gerekir ve tüm akse-suarlar, üzerlerine takılabilecekleri makinelerin ve tesisle-rin maksimum güvenliğini garanti edebilecek şekilde üre-tici tarafından onaylanmış olmalıdır.

Bu ürün, fabrikasyon hatası veya kullanılan malzemenin kusurlu olmasına karşı yasal garanti (Avrupa Birliğinde satın alınmasından itibaren 24 ay) kapsamındadır. Garanti kapsamındaki ürün aşağıdaki koşulları karşılaması durumunda takdire göre mükemmel durumdaki yeni bir ürün ile değiştirilebilir veya ücretsiz olarak onarımı sağlanabilir:

- ürün doğru ve talimatlara uygun bir şekilde çalıştırılmış olmalıdır ve satın alan kişiler veya üçüncü şahıslar tarafından tamir edilmeye çalışılmamış olmalıdır.
- Ürün, satın alındığını kanıtlayan belge (fatura veya resmi fiş) eklenerek ve karşılaşılan sorunun kısa bir açıklaması ile birlikte satış noktasına teslim edilmelidir.

Çark ve aşınmaya maruz parçalar garanti kapsamında değildir. Garanti kapsamında yapılan herhangi bir müdahale garanti süresini uzatmaz.

ЗМІСТ

1. ЗАСТОСУВАННЯ	110
2. ТИП РІДИНИ ДЛЯ ПЕРЕКАЧУВАННЯ	110
3. ТЕХНІЧНІ ХАРАКТЕРИСТИКИ ТА ЕКСПЛУАТАЦІЙНІ ОБМЕЖЕННЯ.....	111
4. ПРИЙНЯТТЯ ТА ЗБЕРІГАННЯ	111
4.1 Прийняття на зберігання.....	111
4.2 Транспортування.....	111
4.3 Вага та розміри.....	111
5. ЗАСТЕРЕЖЕННЯ	111
6. УСТАНОВКА	111
7. ЕЛЕКТРИЧНЕ ПІДКЛЮЧЕННЯ	112
8. ПОЧАТОК РОБОТИ.....	112
9. ЗАСТЕРЕЖНІ ЗАХОДИ.....	112
10. ДОГЛЯД ТА ТЕХНІЧНЕ ОБСЛУГОВУВАННЯ.....	113
10.1 Чистка всмоктувальної решітки	113
10.2 Чистка робочого колеса	113
11. ПОШУК	113
12. ГАРАНТІЯ.....	114

ЗАСТЕРЕЖЕННЯ



Перед початком установки уважно ознайомитися з усією документацією.



Перед початком будь-яких робіт з обслуговування витягти вилку з розетки. Категорично забороняється робота насоса "всуху"; насос можна вмикати тільки в тому випадку, коли він занурений у воду. Якщо води більш немає, слід негайно витягти вилку насосу з розетки живлення.

1. ЗАСТОСУВАННЯ

Потужні насоси занурювального типу для дренажу, відкачування води та орошування незначних за розміром ділянок; можуть використовуватися для перекачування забруднених стічних вод, навіть у приступності твердих домішок розміром до 38 мм. Насоси для побутового використання з роботою як в ручному, так і в автоматичному режимі; призначені для відведення стічних вод з підвальних та напівпідвальних приміщень, що мають тенденцію до затоплення, для просушування дренажних колодязів, відведення води з резервуарів для збору дощової води та просочувань води з водостоків і т. п.

Завдяки компактній, зручній для переміщення формі ці насоси застосовуються для різних призначень, в тому числі і як аварійні портативні насоси для викачування води з резервуарів або водоймищ, випорожнення басейнів, колодязів, котлованів та підземних переходів. Підходить також для садово-городніх робіт та робіт для дозвілля в цілому.



Ці насоси не можна використовувати в басейнах, ставках, водоймищах у присутності людей, а також для перекачування паливних та горючих матеріалів (бензину, дизельного палива, горючих масел, розчинників та ін.) згідно відповідних норм з техніки безпеки чинного законодавства. Ці насоси розроблені не для експлуатації у постійному безперервному режимі, а лише для аварійного застосування на протязі обмеженого проміжку часу. Після їх використання, перед тим, як покласти їх на зберігання, рекомендується провести ретельний огляд та чистку. Див. розділ "Догляд та технічне обслуговування".

2. ТИП РІДИНИ ДЛЯ ПЕРЕКАЧУВАННЯ

Чиста вода	•
Дощова вода	•
Очищена стічна вода	•
Брудна вода	•
Неочищена вода з домішками у вигляді твердих частинок з довгими волокнами	○
Колодязна вода	•
Вода з річки або озера	•
Максим. розмір домішок [мм]	Ø 38

Таблиця 1

- Призначений
- Не призначений

Насос герметичний, його слід занурювати в рідину на глибину не більше, ніж на 7 м. Див. Таблицю 3.

3. ТЕХНІЧНІ ХАРАКТЕРИСТИКИ ТА ЕКСПЛУАТАЦІЙНІ ОБМЕЖЕННЯ

- **Напруга живлення: 220-240В**, див. паспортну табличку
- **Лінійні запобіжники з затримкою дії (версія 220-240В):** індикативні значення (Ампер)
- **Температура зберігання:** від -10°C до +40°C

Лінійні плавкі запобіжники 220-240В
50 Гц
3

Таблиця 2

	Модель	Дренаж Брудна вода P1=1000
Електричні характеристики	P1 Номінальна споживана потужність [Вт]	1000
	Напруга мережі [В]	220-240 AC
	Частота мережі [Гц]	50
	Струм [А]	4.2
	Конденсатор [µF]	12.5
	Конденсатор [Vc]	450
Гідравлічні характеристики	Максим. подача [л/хв.]	320
	Максим. висота напору [м]	11
	Максим. висота напору [бар]	1.1
	Максим. глибина занурення [м]	7
	Мінім. висота вмикання АВТО [мм]	50
	Рівень залишкової води [мм]	50
Сфера застосування	Довжина кабелю живлення [м]	10
	Тип кабелю	H07 RNF
	Ступінь захисту двигуна	IP X8
	Клас ізоляції	F
	Діапазон температури рідини [°C] згідно EN 60335-2-41 для побутового застосування	0 °C / +35 °C
	Максим. розмір діаметра [мм]	Ø 38
	Максим. температура середовища [°C]	+40 °C
Вага	DNM GAS	1" 1/2 F
	Вага, нетто/брутто, прибр. [кг]	8.2 / 10.1

Таблиця 3



Для утримання ваги всіх трубопроводів насос слід встановити на відповідну основу або забезпечити утримання трубопроводів іншим способом.

4. ПРИЙНЯТТЯ ТА ЗБЕРІГАННЯ

4.1 Прийняття на зберігання

Всі насоси слід зберігати в сухому закритому приміщенні, зі сталим рівнем вологості, без вібрацій та пилу. Насоси поставляються у відповідній упаковці, в якій їх слід зберігати до моменту установки.

4.2 Транспортування

Берегти від ударів та зіткнень.

4.3 Вага та розміри

На упаковку наноситься клейка табличка, на якій вказані загальна вага насоса та його розміри.

5. ЗАСТЕРЕЖЕННЯ



Забороняється перевозити, переміщувати, піднімати або експлуатувати насоси у підвішеному стані, використовуючи для цих дій кабель живлення; користуватися для цього відповідною ручкою.

- Забороняється робота насоса "всуху".
- Насос слід встановити таким чином, щоб всмоктувальні отвори нижньої частини не забивалися брудом, ні повністю, ні навіть частково.
- Ущільнювальний пристрій містить нетоксичний мастильний матеріал, що у випадку витіку з насоса може привести до зміни характеристик води, якщо мова йде про чисту воду.
- Насос устатковано тепловим захистом. У разі перегрівання двигуна пристрій теплового захисту автоматично вимикає насос. Час охолодження - приблизно 15-20 хв., після чого насос знову вмикається автоматично. Після спрацювання теплового захисту слід неодмінно встановити причину та усунути її. Див. "Пошук та усунення несправностей".

6. УСТАНОВКА

Накрутити коліно зі з'єднувальним патрубком, що поставляється в комплекті. На моделях для відведення стічних вод передбачений лише патрубок для під'єднання трубопроводу розміром в 1"1/2; у випадку використання

трубопроводів більшого діаметру слід замінити колінний з'єднувальний патрубок. Крім того, слід встановити затискний хомуттик, щоб закріпити трубу на патрубку.

- Для забезпечення ефективної експлуатації насосу та недопущення забивання рекомендується використовувати трубопроводи з внутрішнім діаметром не менше 38 мм.
- У випадках, коли дно колодязя, в який опускається насос, дуже забруднене, рекомендується передбачити відповідну підставку з метою запобігання забиванню всмоктувальної решітки (Мал.1).
- Насос слід повністю занурювати в воду.
- Мінімальні розміри колодязя занурювання:
Мінім. розміри опорної основи 400x400 мм / Мінім. висота 400 мм
- Перевірити, щоб поплавковий вимикач міг вільно рухатися, залишити щонайменше 5 см від стінок колодязя.
- Розміри колодязя повинні також відповідати кількості води, що подається, та подачі самого насосу, щоб не допустити надмірної кількості запусків двигуна за годину; настійно рекомендується не перевищувати 20 запусків/годину.



Насос слід встановлювати у вертикальному положенні!

7. ЕЛЕКТРИЧНЕ ПІДКЛЮЧЕННЯ



Довжина кабелю живлення насосу обмежує максимальну глибину занурення при використанні самого насоса. Дотримуватися вказівок, зазначених на заводській табличці та в таблиці 3 даного технічного посібника.

8. ПОЧАТОК РОБОТИ

Насос може працювати у двох режимах:

• РУЧНИЙ (А)

Незважаючи на наявність поплавкового вимикача електронасоси можна використовувати в ручному режимі Мал.2

- 1) Закріпити поплавковий вимикач таким чином, щоб він залишався у вертикальному положенні над насосом (кабель направлений униз) (а). Насос працює до тих пір, доки поплавковий вимикач знаходиться в піднятому положенні, незалежно від рівня води.
- 2) Вставити вилку кабелю живлення в розетку мережі живлення з напругою 220-240В.
- 3) Насос увімкнеться, перевірити, щоб він був повністю занурений.

Контролювати роботу насосу, оскільки в ручному режимі він не вимикається автоматично; при досягненні мінімального рівня води його слід вимкнути вручну, витягнувши вилку з розетки або опустивши поплавковий вимикач (автоматичне спрацювання).

Максимального рівня всмоктування можна досягти лише під час роботи в ручному режимі, оскільки в автоматичному режимі поплавковий вимикач зупиняє насос до досягнення такого рівня.

• АВТОМАТИЧНИЙ (В)

Моделі, устатковані поплавковим вимикачем, вмикаються автоматично у разі підвищення рівня води і вимикаються при досягненні передбаченого мінімального рівня (Мал.3).

- 1) Забезпечити вільне пересування поплавкового вимикача.
- 2) Вставити вилку кабелю живлення в розетку мережі живлення з напругою 220-240В.
- 3) При досягненні поплавковим вимикачем рівня ON (ВВІМКН) насос увімкнеться і працюватиме до досягнення рівня OFF (ВИМКН).

Регулювання висоти вмикання/вимикання:

(Висота вмикання та вимикання зазначена в розділі "Технічні характеристики".)

Довжина кабелю повинна бути такою, щоб з одного боку забезпечувати вільний рух поплавкового вимикача, а з іншого - не допустити опущення насосу на дно. Довжина відрізка кабелю між поплавковим вимикачем та заглибиною для закріплення кабелю повинна складати не менше 10 см. Чим менше довжина відрізка кабелю між поплавковим вимикачем та заглибиною для закріплення кабелю, тим нижчою буде висота вмикання і вищою - висота вимикання. Можна змінити точку закріплення, наприклад, на нижній затискач; в такому разі при тій же самій довжині відрізка отримаємо нижчий рівень вмикання та вимикання (Мал.4). Насос поставляється з хомутиком (Мал. 5), що служить для закріплення поплавкового вимикача і не допускає переміщення затискача; щоб збільшити або зменшити довжину вільного кабелю поплавкового вимикача, якщо немає можливості замінити його, слід перемістити хомуттик відповідним чином. Однофазні двигуни устатковані внутрішнім захистом від перевантажень (тепло-амперометричний), їх можна підключати напряму до мережі. NB: при перевантаженні двигун вимикається автоматично. Після охолодження двигун знову вмикається автоматично, без необхідності стороннього втручання.

Фільтр розроблений таким чином, щоб забезпечити регулювання вільного проходу від 30 мм до 5 мм, у випадку використання чистих вод достатньо просто повернути і опустити його.

9. ЗАСТЕРЕЖНІ ЗАХОДИ

РИЗИК ЗАМЕРЗАННЯ: якщо насос залишається в неробочому стані при температурі нижче 0 °С, слід переконатися в тому, що в ньому немає залишку води, що при замерзанні може пошкодити пластмасові частини насоса.

Після використання насосу для відведення речовин, які схильні до накопичень та відкладень, або після перекачування хлорованої води його слід промити чистою водою; для промивання скористатися сильним струменем води, щоб запобігти утворенню відкладень, що можуть негативно вплинути на експлуатаційні характеристики насосу.

10. ДОГЛЯД ТА ТЕХНІЧНЕ ОБСЛУГОВУВАННЯ

При нормальних умовах експлуатації електронасос не потребує ніякого технічного обслуговування. В будь-якому разі всі роботи з ремонту та технічного обслуговування слід виконувати тільки після відключення насосу від мережі живлення. Перед вмиканням насосу після технічного обслуговування перевірити, щоб був встановлений всмоктувальний фільтр; під час перевірки бути обережними, щоб не створити небезпечну ситуацію та випадково не доторкнутися рухомих частин пристрою.

10.1 Чистка всмоктувальної решітки

(Мал. 6)

- Відключити насос від мережі електричного живлення.
- Провести дренаж насосу.
- Відкрутити кріпильні гвинти на фільтрі (b).
- Зняти всмоктувальну решітку (c).
- Почистити решітку і встановити її на місце.

10.2 Чистка робочого колеса

(Мал. 7)

- Відключити насос від мережі електричного живлення.
- Провести дренаж насосу.
- Відкрутити кріпильні гвинти на фільтрі (b).
- Зняти всмоктувальну решітку (c).
- Промити насос чистою водою, щоб видалити можливі забруднення між двигуном та оболонкою насосу (d).
- Почистити робоче колесо (d).
- Перевірити, щоб робоче колесо могло вільно рухатися.
- Виконати монтаж у зворотньому порядку.

11. ПОШУК



Перед тим, як розпочинати пошук неполадок, необхідно від'єднати насос від джерел електричного живлення (витягти вилку з розетки). Якщо кабель живлення або насос в будь-якій його електричній частині пошкоджені, ремонт та заміну повинен здійснювати виробник або уповноважений ним центр технічних послуг, або технічний спеціаліст з відповідною кваліфікацією, що дозволяє запобігти будь-якому ризику.

НЕПОЛАДОК ТА		(можливі причини)	ШЛЯХИ ЇХ УСУНЕННЯ
1	Двигун не вмикається і не гуде.	A. Перевірити подачу напруги на двигун. B. Перевірити захисні плавкі запобіжники. C. Поплавок не вмикає вимикач.	A. Перевірити, щоб вилка була правильно вставлена в розетку. B. Замінити, якщо перегоріли. C. - Перевірити, щоб поплавковий вимикач міг вільно рухатися. Перемістити його вище. - Збільшити глибину колодязя.
2	Насос не здійснює подачу.	A. Забиті всмоктувальна решітка або труби. B. Робоче колесо зношене або заблоковане. C. Запитна висота подачі перевищує передбачену технічними характеристиками насосу. D. Присутність повітря.	A. Усунути забивання та блокування або розкрутити шланги в разі їх закручування. B. Замінити робоче колесо або усунути забивання. C. Замінити його іншим, з більшою висотою подачі. D. Зачекати не менше 1 хвилини, щоб усунути.
3	Насос не вмикається.	A. Поплавок не вмикає вимикач.	A. Перевірити, щоб ніщо не заважало вільному рухові поплавка.
4	Недостатня подача.	A. Перевірити, щоб всмоктувальна решітка не була частково забита/засмічена. B. Перевірити, щоб робоче колесо або труба подачі не були частково забиті або засмічені. C. Перевірити, щоб запірний клапан (якщо передбачений) не був частково забитий.	A. Усунути можливі забивання. B. Усунути можливі забивання. C. Ретельно почистити запірний клапан.
5	Після роботи на протязі короткого проміжку часу насос зупиняється.	A. Тепло-амперометричний пристрій захисту насосу зупиняє насос.	A. Перевірити, щоб перекачувана рідина не була надто густою, оскільки це може призвести до перегрівання двигуна. B. Перевірити, щоб температура води не була надто високою. C. Перевірити на відсутність сторонніх об'єктів, що блокують крильчатку.

12. ГАРАНТІЯ



Будь-які модифікації, що не були попередньо узгоджені з виробником, звільняють виробника від будь-якої відповідальності. Всі запасні частини для ремонту повинні бути оригінальними частинами від виробника пристрою, а всі аксесуари слід узгодити з виробником, щоб гарантувати максимальну безпеку експлуатації того обладнання та пристроїв, на які вони встановлюються.

Даний виріб покритий юридичною гарантією (на території Європейського Союзу на протязі 24 місяців з дати купівлі) відносно всіх дефектів, викликаних вадами виробництва або дефектами використаних матеріалів.

Виріб на гарантії за рішенням виробника підлягає або заміні на інший, у відмінному робочому стані, або безкоштовному ремонту; при цьому повинні дотримуватися наступні умови:

- експлуатація виробу проводилася вірно, у відповідності до наданих інструкцій, покупець або треті особи не намагалися відремонтувати його власними силами.
- виріб доставлений в пункт продажу разом з документацією, що підтверджує його купівлю (рахунок або чек), та коротким описанням виявленої проблеми.

Робоче колесо та інші частини, що підлягають нормальному спрацюванню, не покриваються гарантією. Операції з гарантійного обслуговування ні в якому разі не призводять до подовження початкового терміну гарантії.
